

Electric Roller Cover Installation Manual

Contents

I. Product Overview

1、Parts List.....	2
2、Product Summary.....	3

II. Installation Procedures

1、Truck Bed Preparation.....	4
2、Product Assembly.....	5
3、Product Installation.....	11
4、Wiring Connection.....	15
5、Adjustment and Inspection.....	17

III. Product Details

1、Remote Control.....	21
2、OEM Key Control.....	22
3、Mini Program/App.....	22

IV. Maintenance and Care

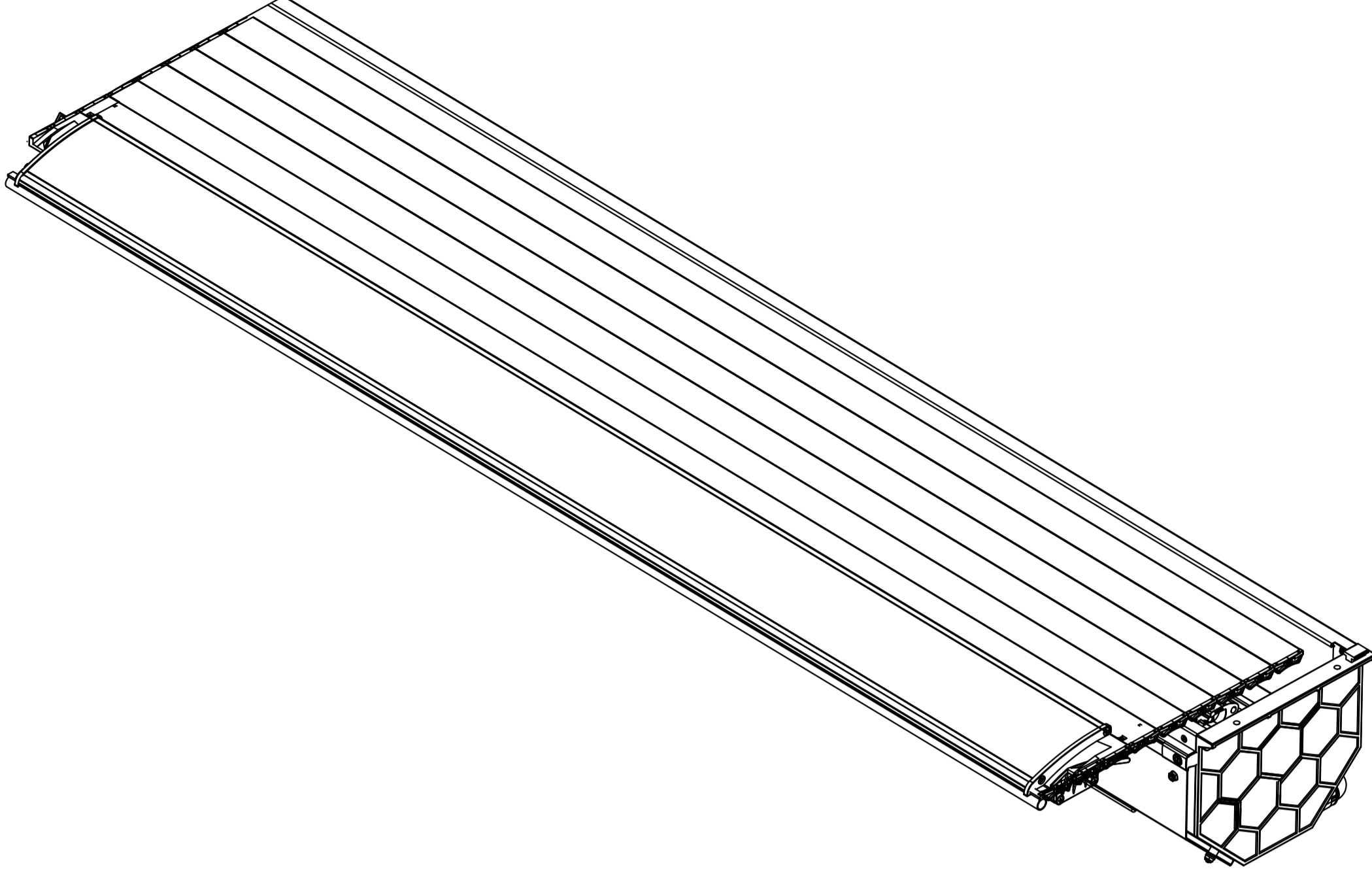
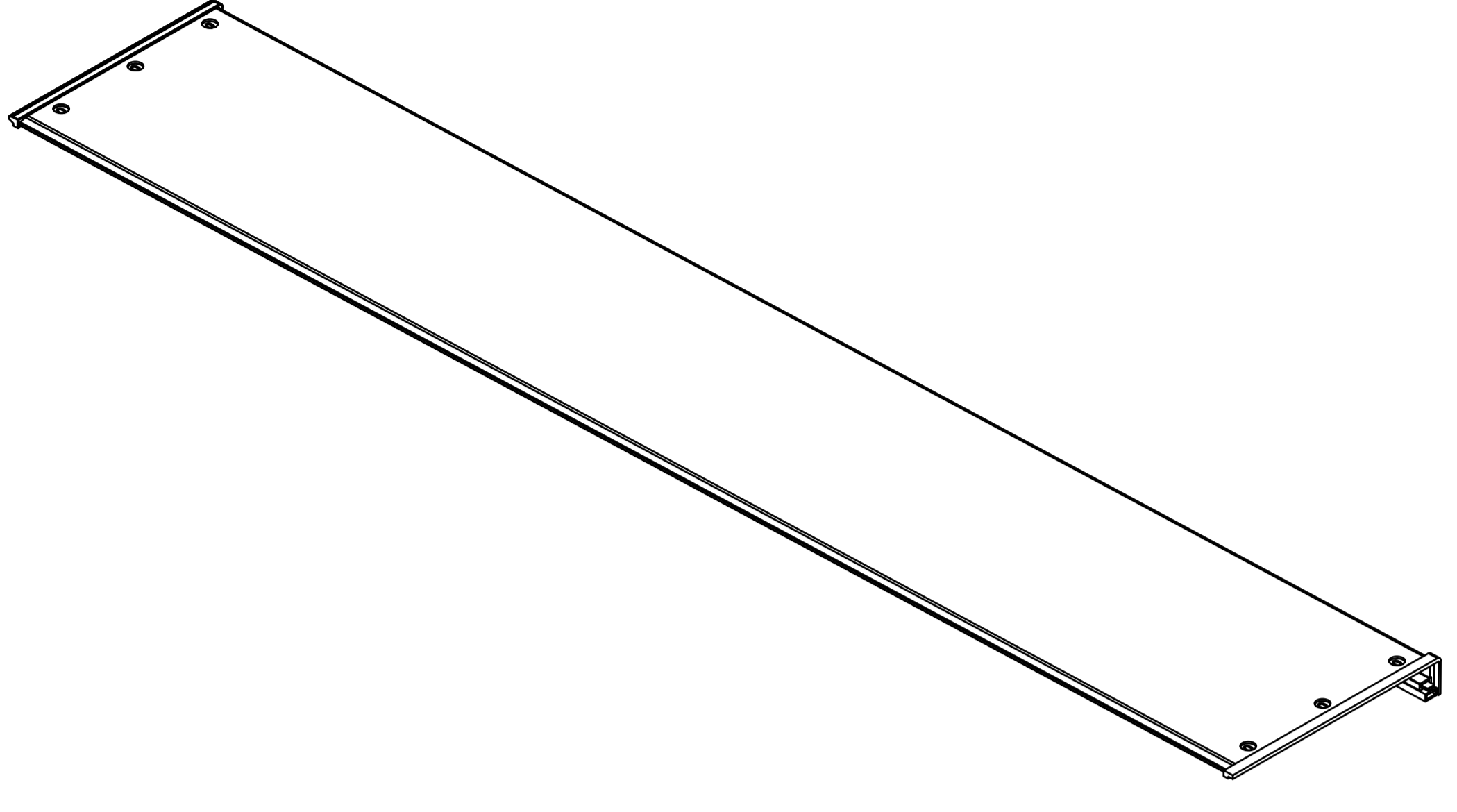

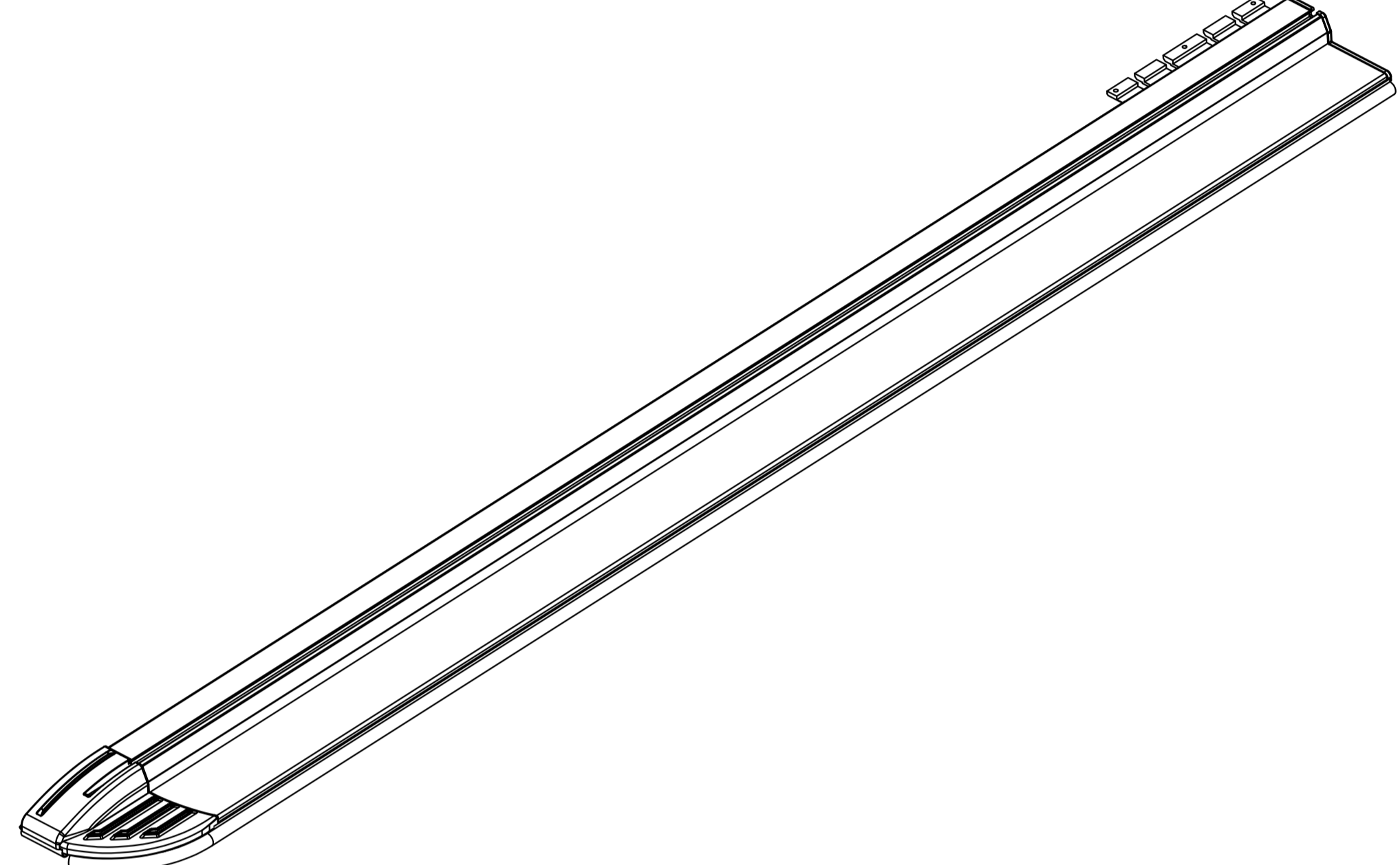
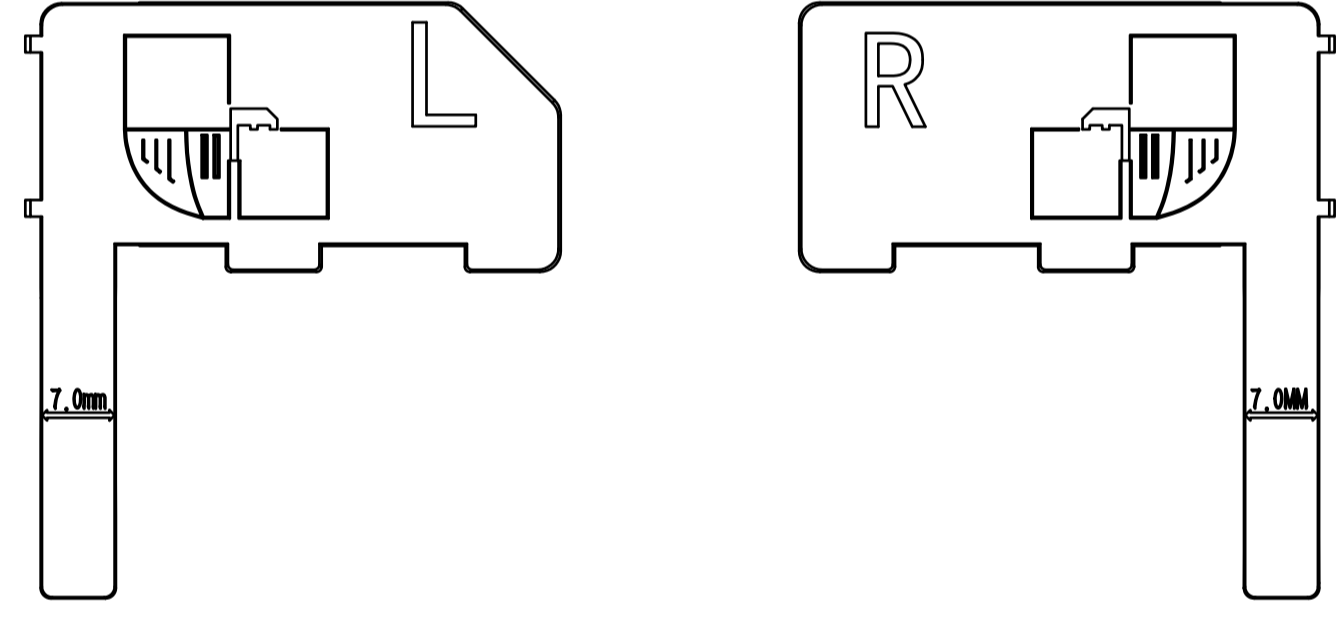
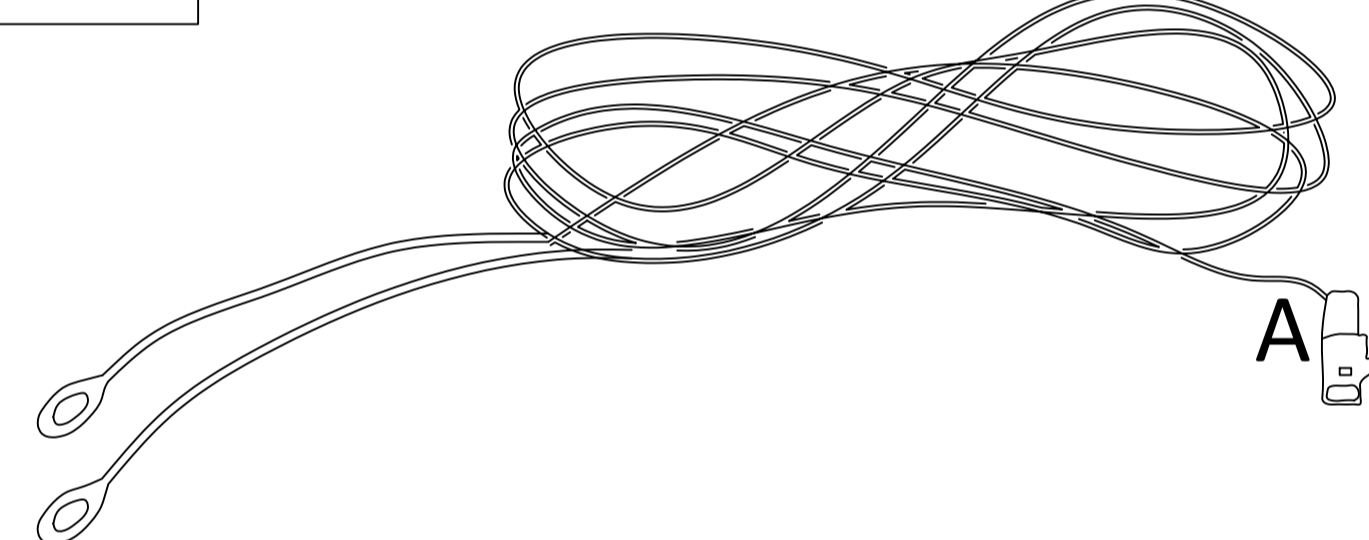
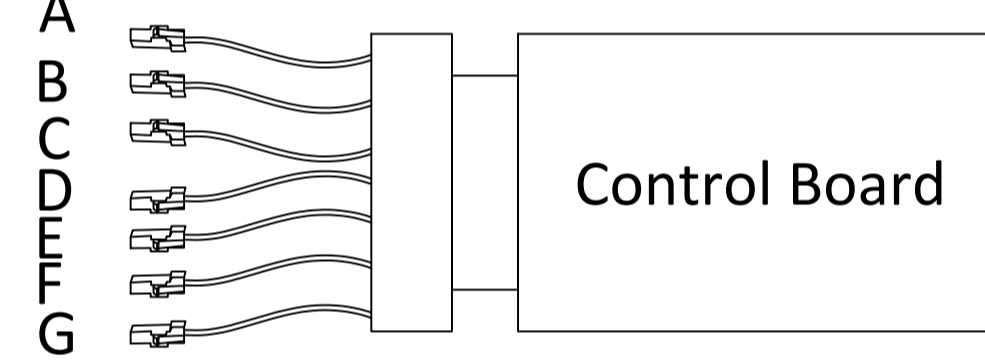
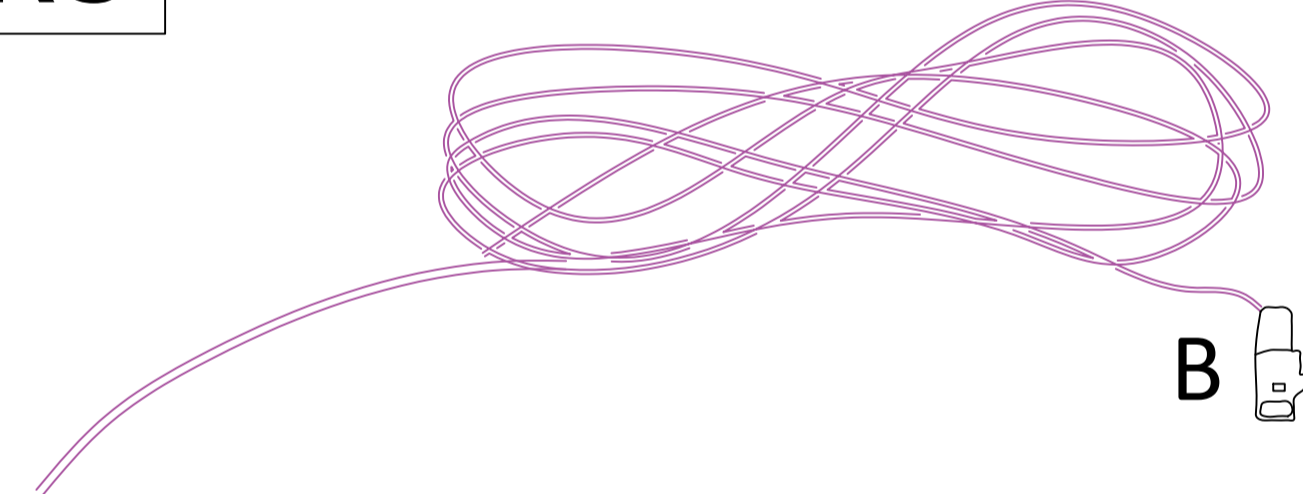
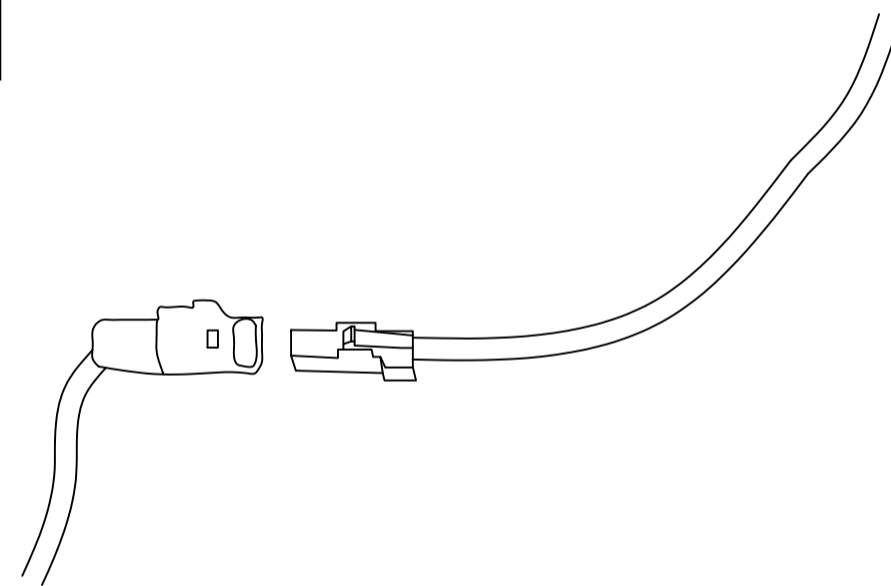
1、Trouble shooting.....	24
2、Common Issues and Analysis.....	24

V. Safety Precautions

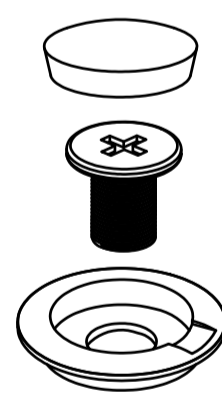
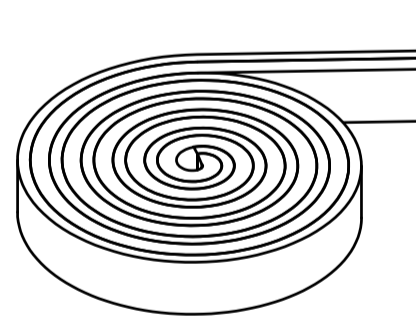
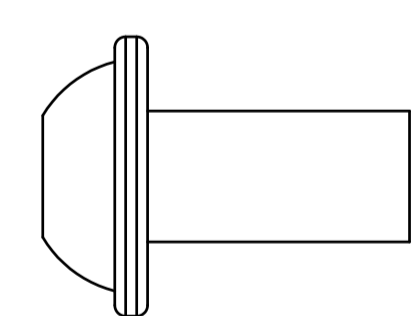
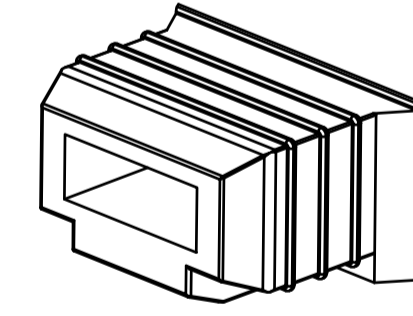
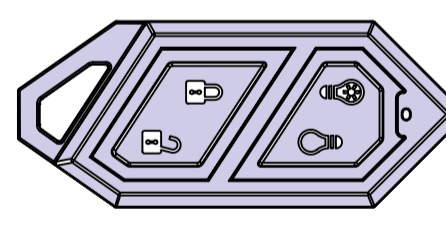
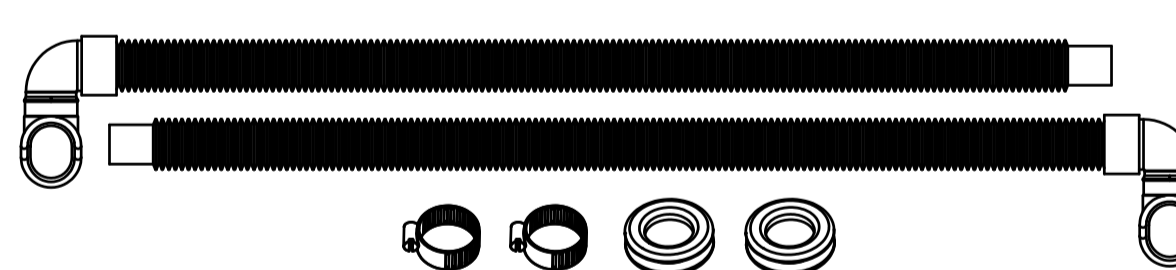
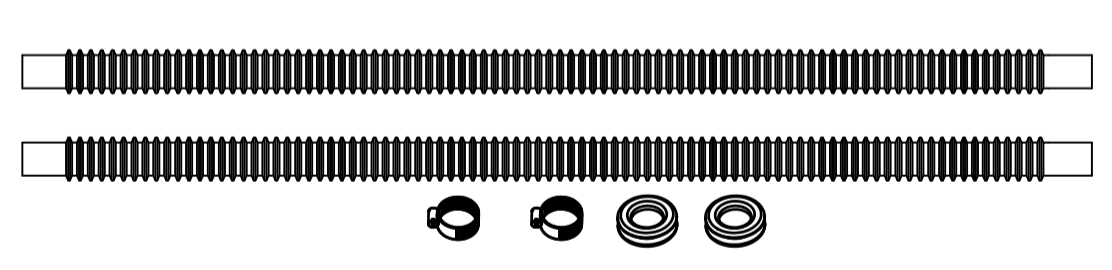
1、Safety Precautions.....	25
---------------------------	----

I. Product Overview

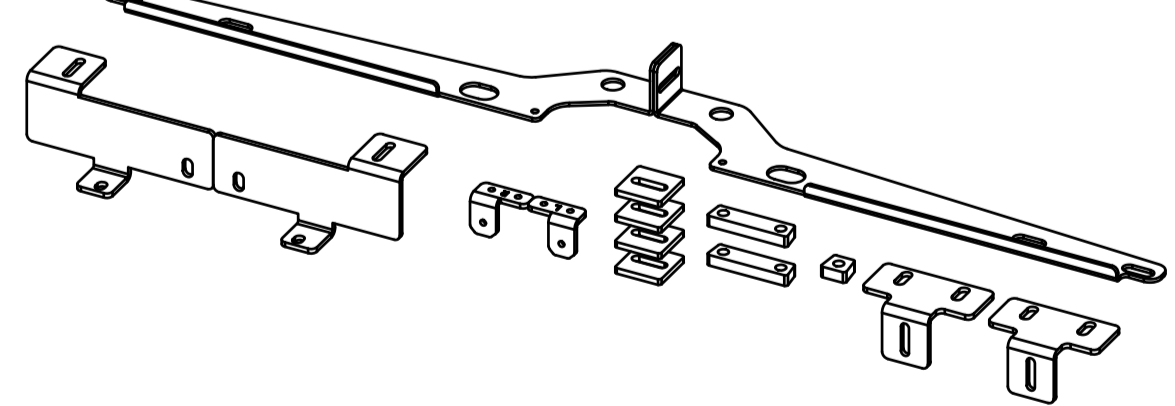
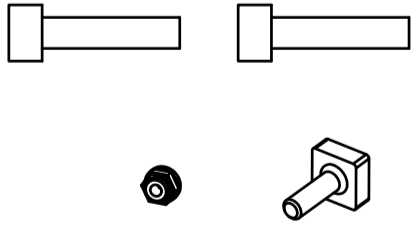
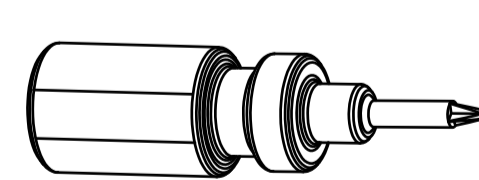
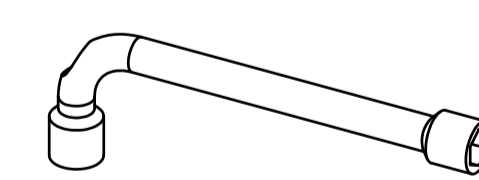
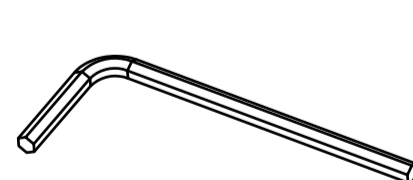
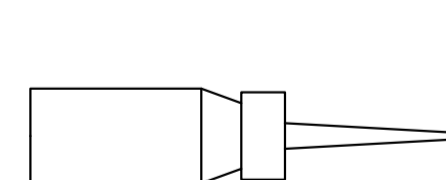
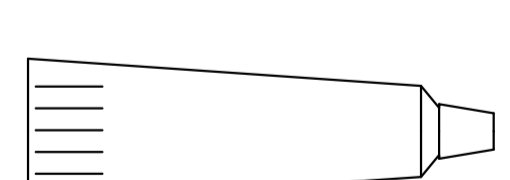
1.1、 Parts List

<p>K1</p> 	<p>K2</p> 	
<p>K3</p> 	<p>K4</p> 	
<p>K5</p> 	<p>K6</p> 	<p>K7</p>  <p>Control Board</p>
<p>K8</p> 	<p>K9</p> 	

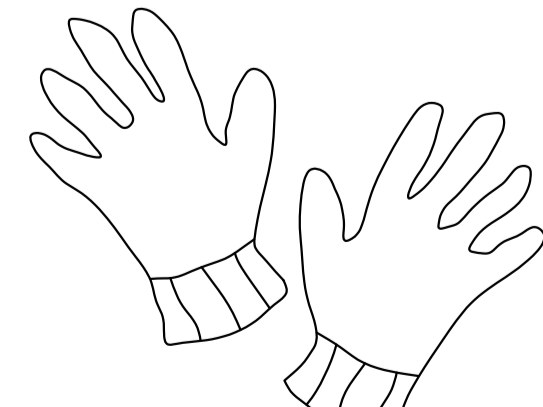
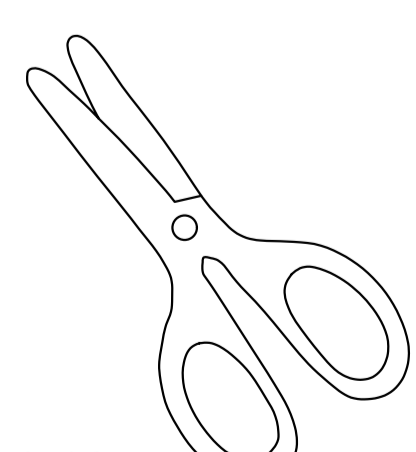
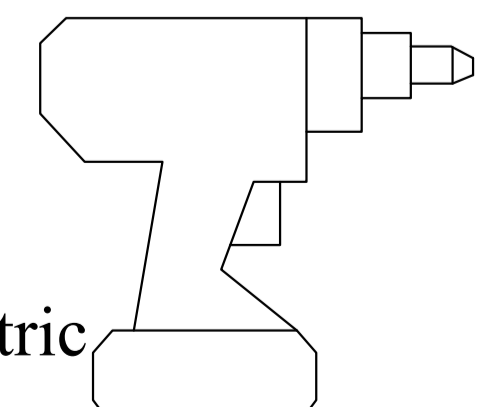
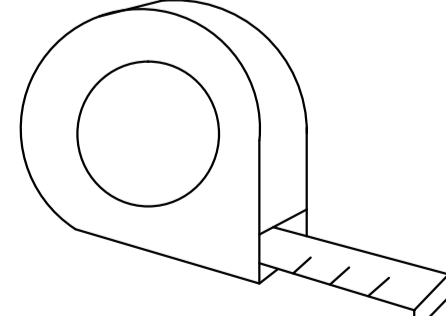
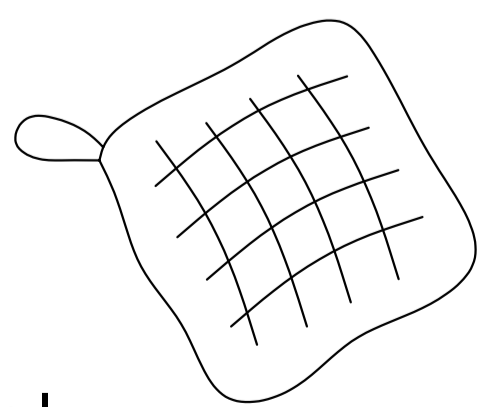
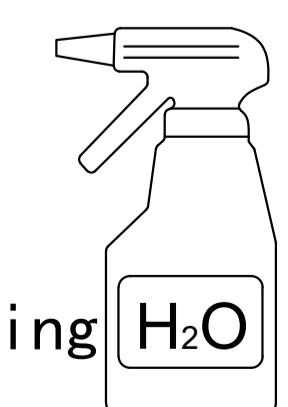
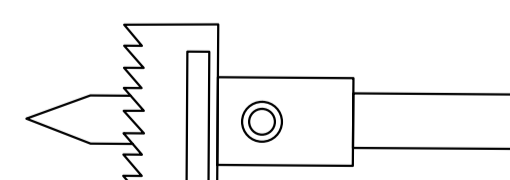
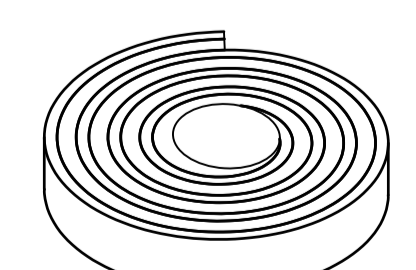
Tonneau Cover Parts List (Note: Components may vary depending on vehicle model, but the installation procedure remains the same.)

 <p>A*6</p>	 <p>B*2</p>	 <p>C*6</p>	 <p>D*2</p>	 <p>E*2</p>	 <p>F*1</p>	 <p>G*1</p>
--	--	--	--	---	--	--

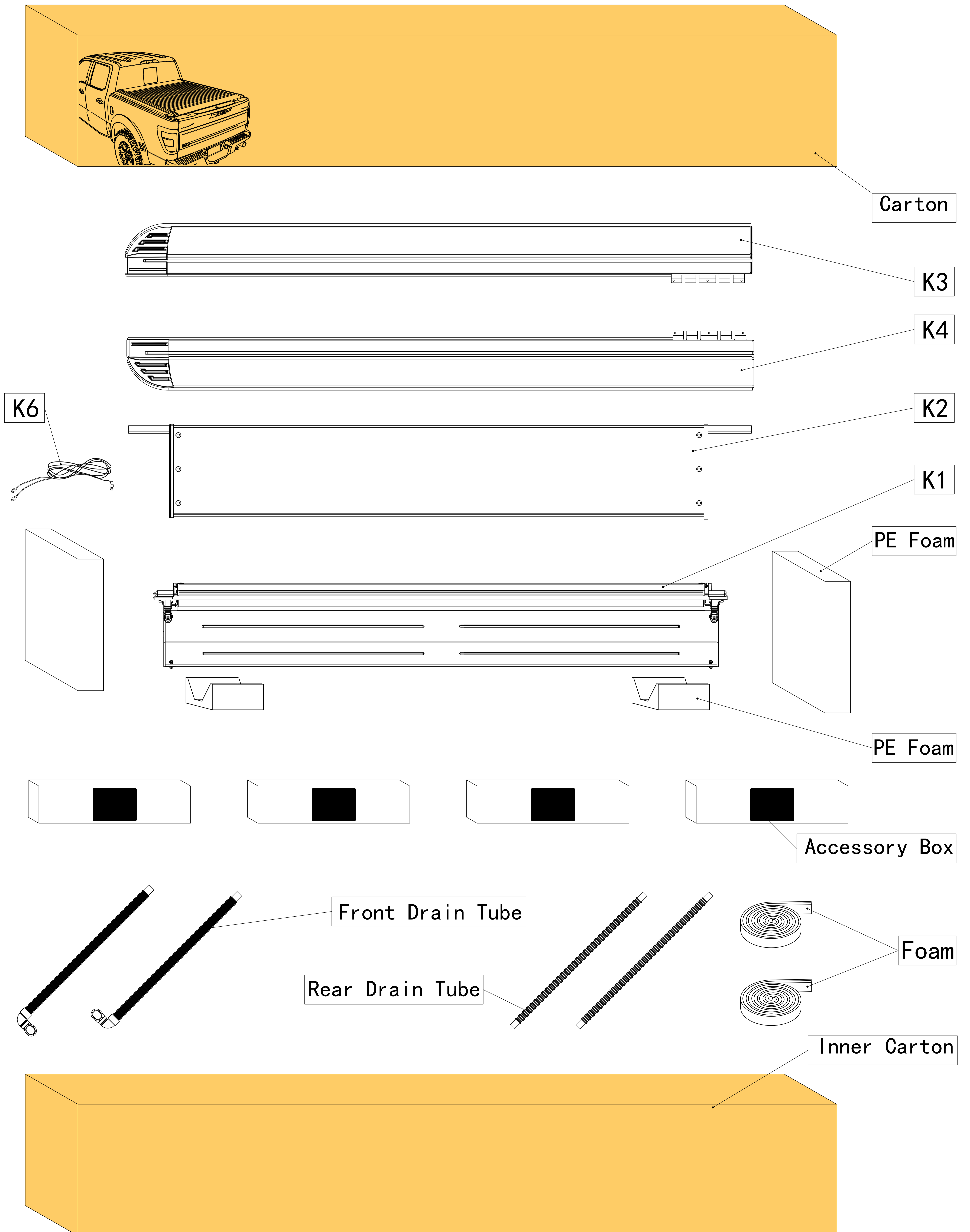
Bracket Components and Tools

 <p>H*1</p>	 <p>J*6</p>	 <p>K*1</p>	 <p>L*1</p>	 <p>M*1</p>	 <p>N*1</p>	 <p>P*1</p>
--	--	---	--	--	--	--

Auxiliary Tools (To Be Prepared by User)

 <p>Gloves</p>	 <p>Scissors</p>	 <p>Electric Drill</p>	 <p>Tape Measure</p>	 <p>Towel</p>	 <p>Cleaning Agent</p>	 <p>Hole Saw $\phi 20$ & $\phi 28$</p>	 <p>Insulating Tape</p>
---	---	---	---	--	---	---	--

1.2 Product Summary

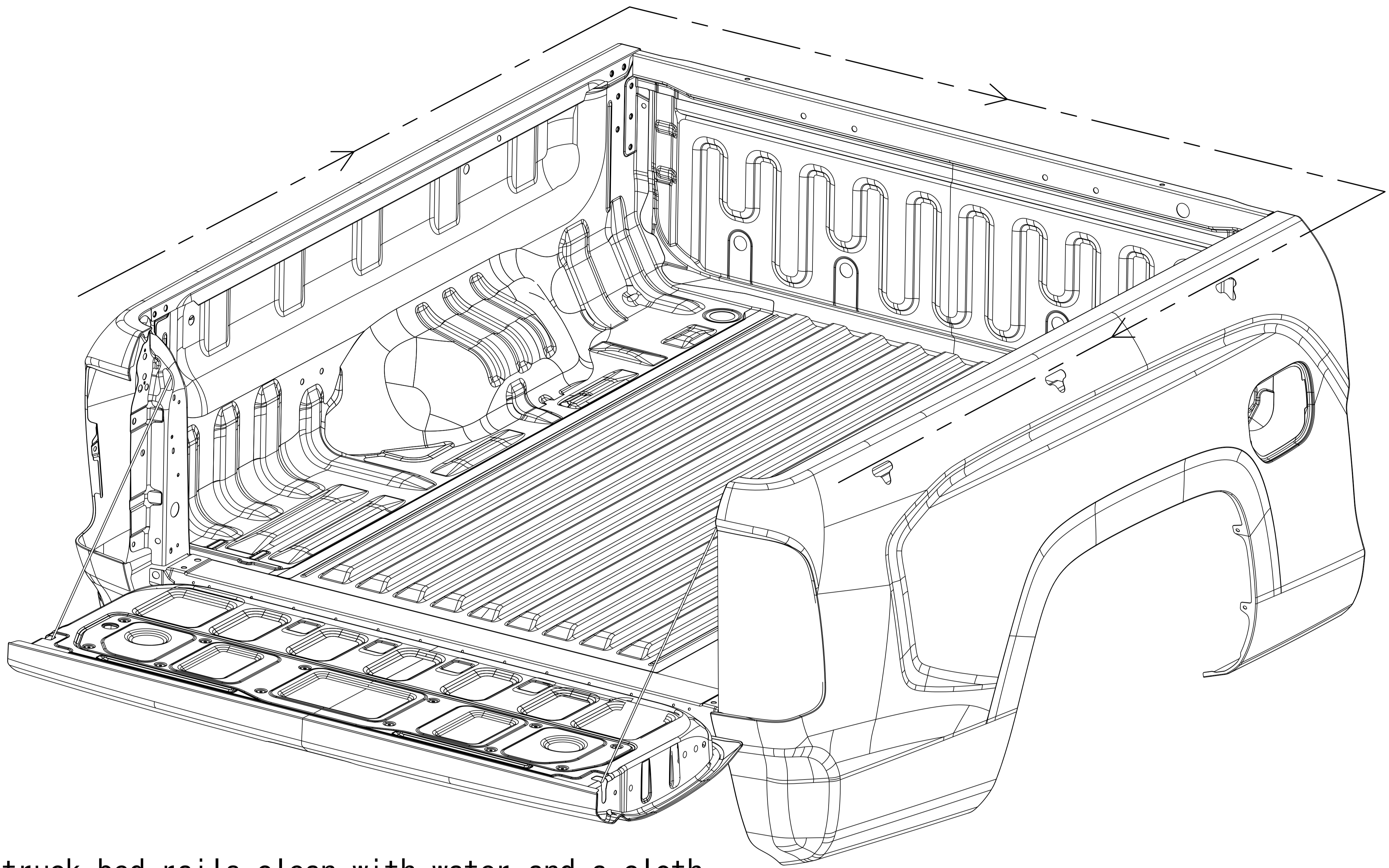
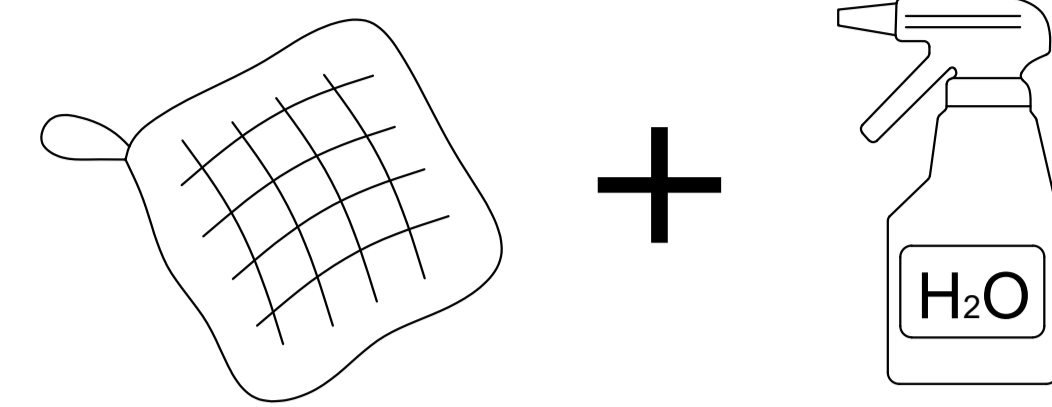


II. Installation Procedures

2.1、Truck Bed Preparation

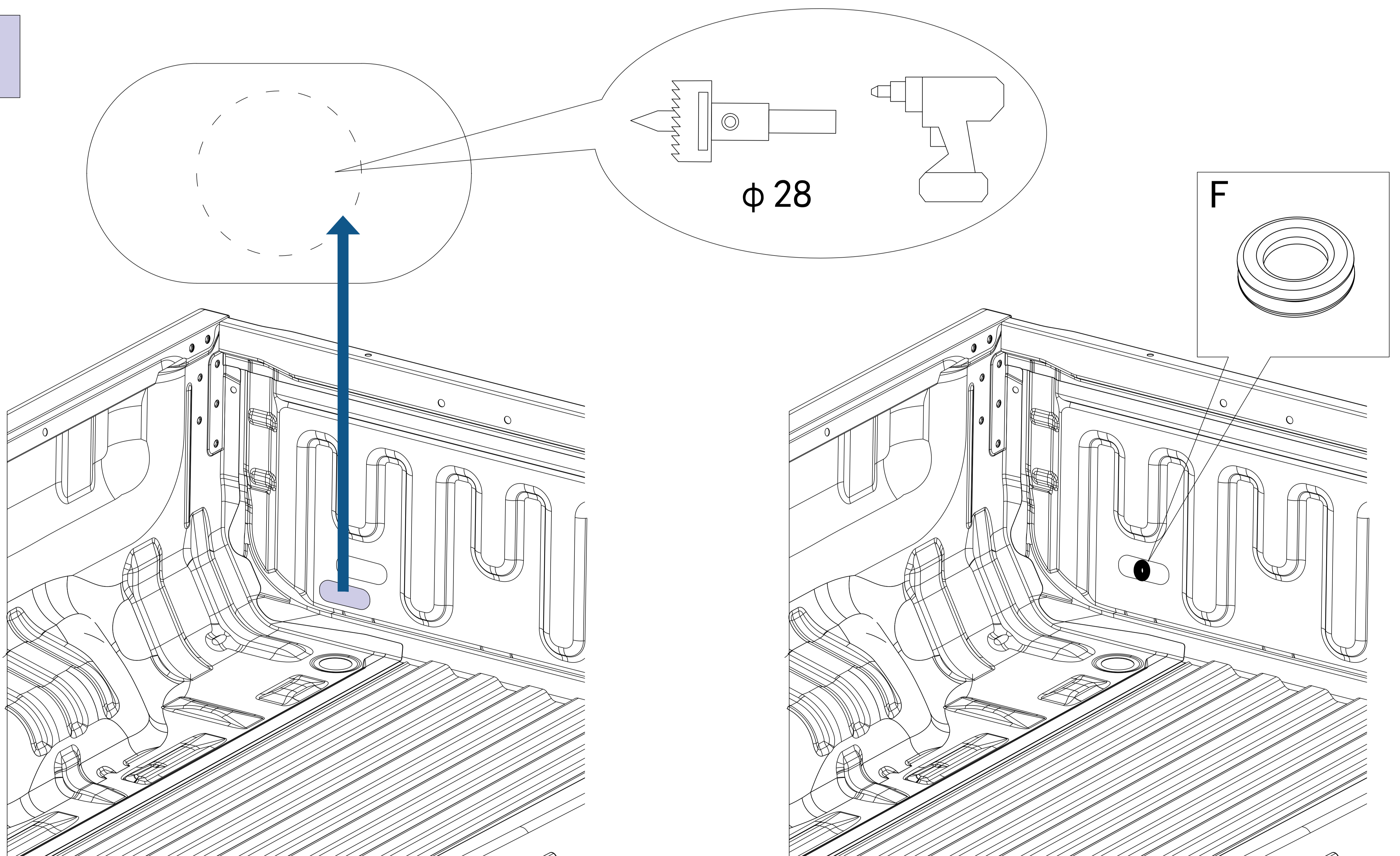
1

With:



Wipe the truck bed rails clean with water and a cloth.

2

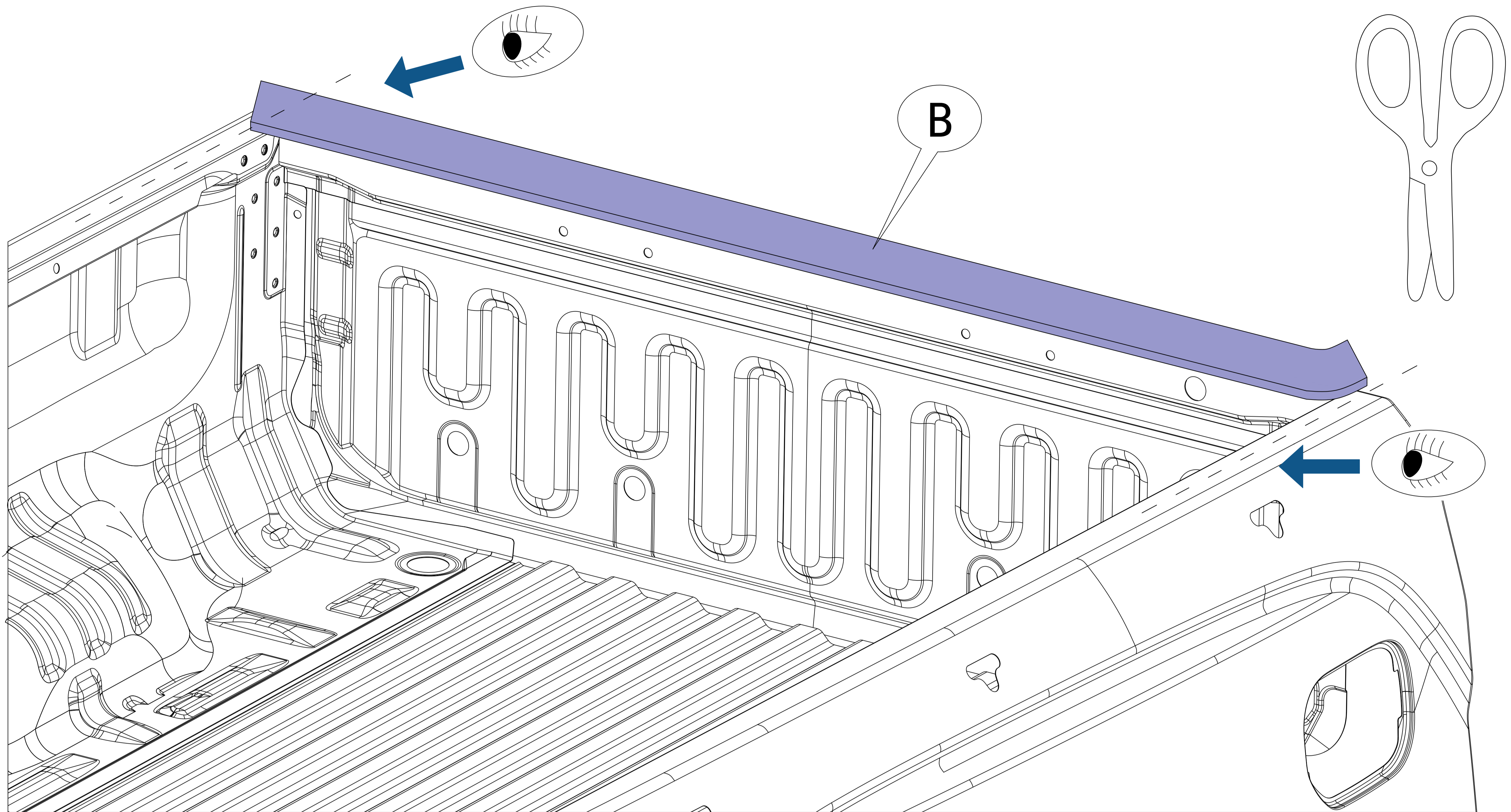


1. Use the $\text{Ø}28$ hole saw and an electric drill to drill holes on the side. Clean burrs from the holes, install the F rubber grommets, and reinstall the panel into the truck bed.

2. If there are holes, no need to drill.

3. If there is no drainage access panel, drill holes in the truck bed.

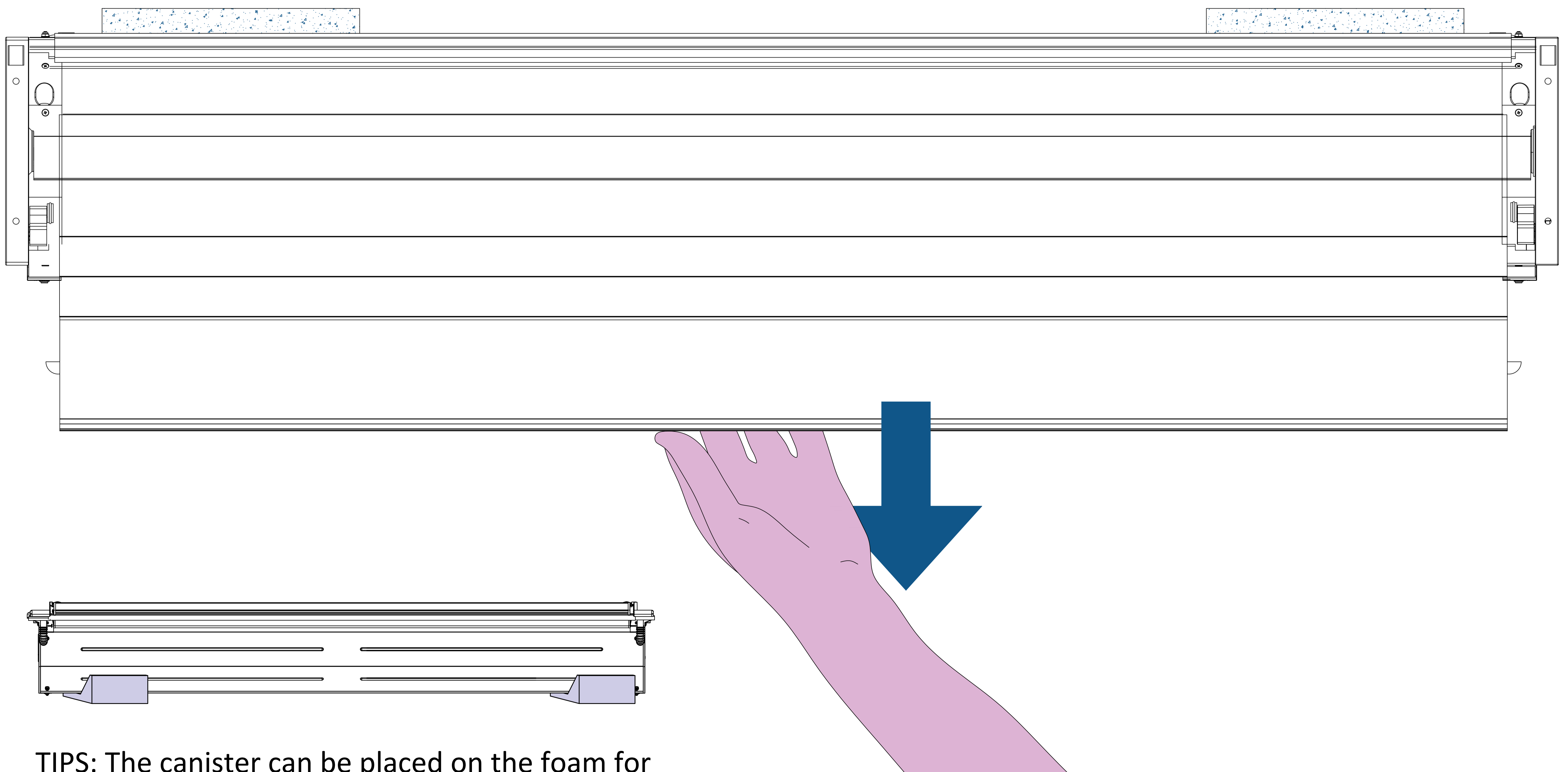
3



Adhere accessory B foam to the front edge of the truck bed and trim any excess. Ensure both ends of the foam are aligned with the sides of the truck bed. If one strip of foam does not make the top surface of the foam flush with the truck bed, attach more strips until it is flush.

2.2. Product Assembly

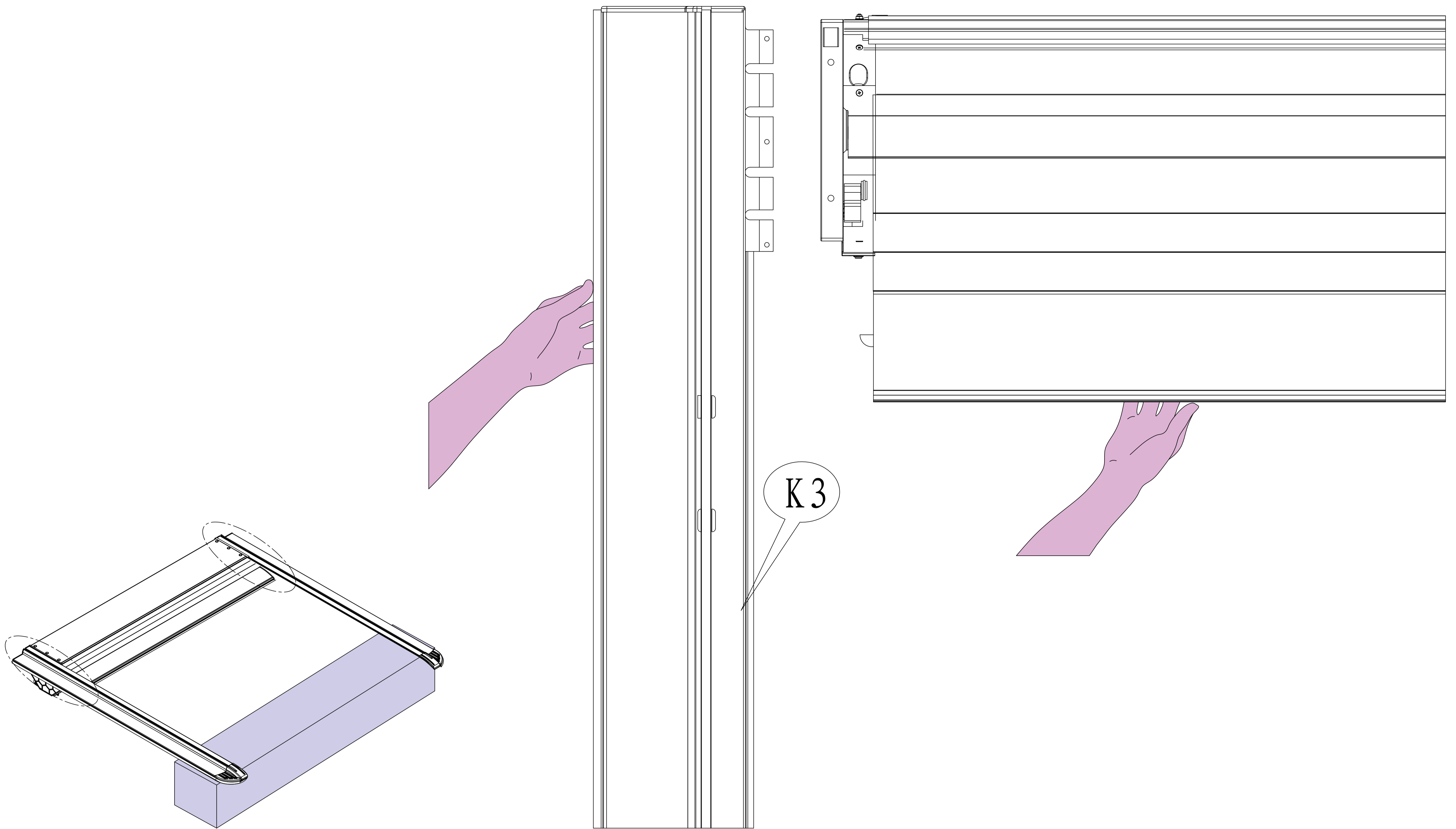
4



TIPS: The canister can be placed on the foam for assembly to prevent scratches.

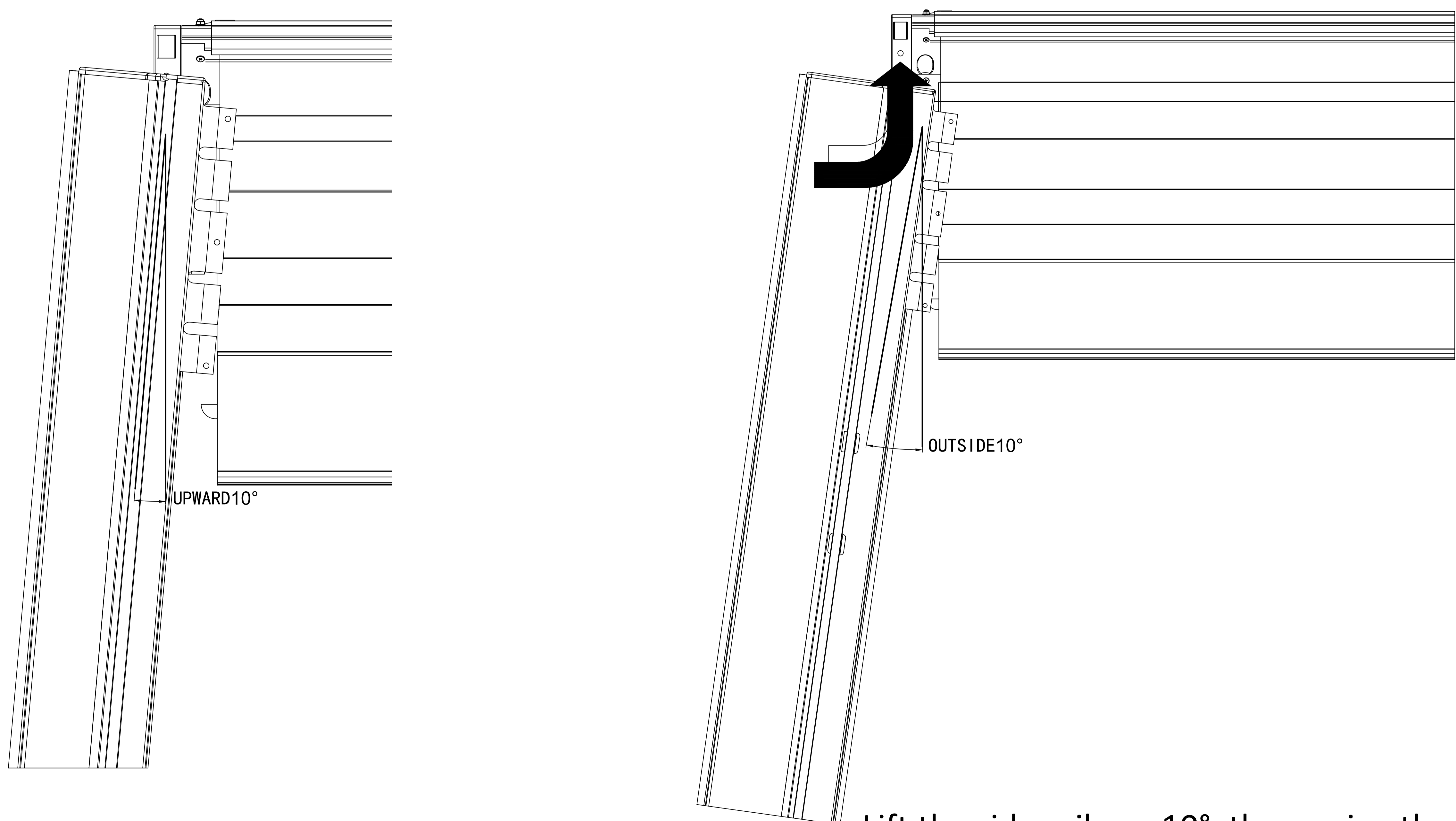
Pull out approximately 4 slats from the canister.

5



TIPS: When assembling the side rails, they can be placed on the carton to prevent scratches.

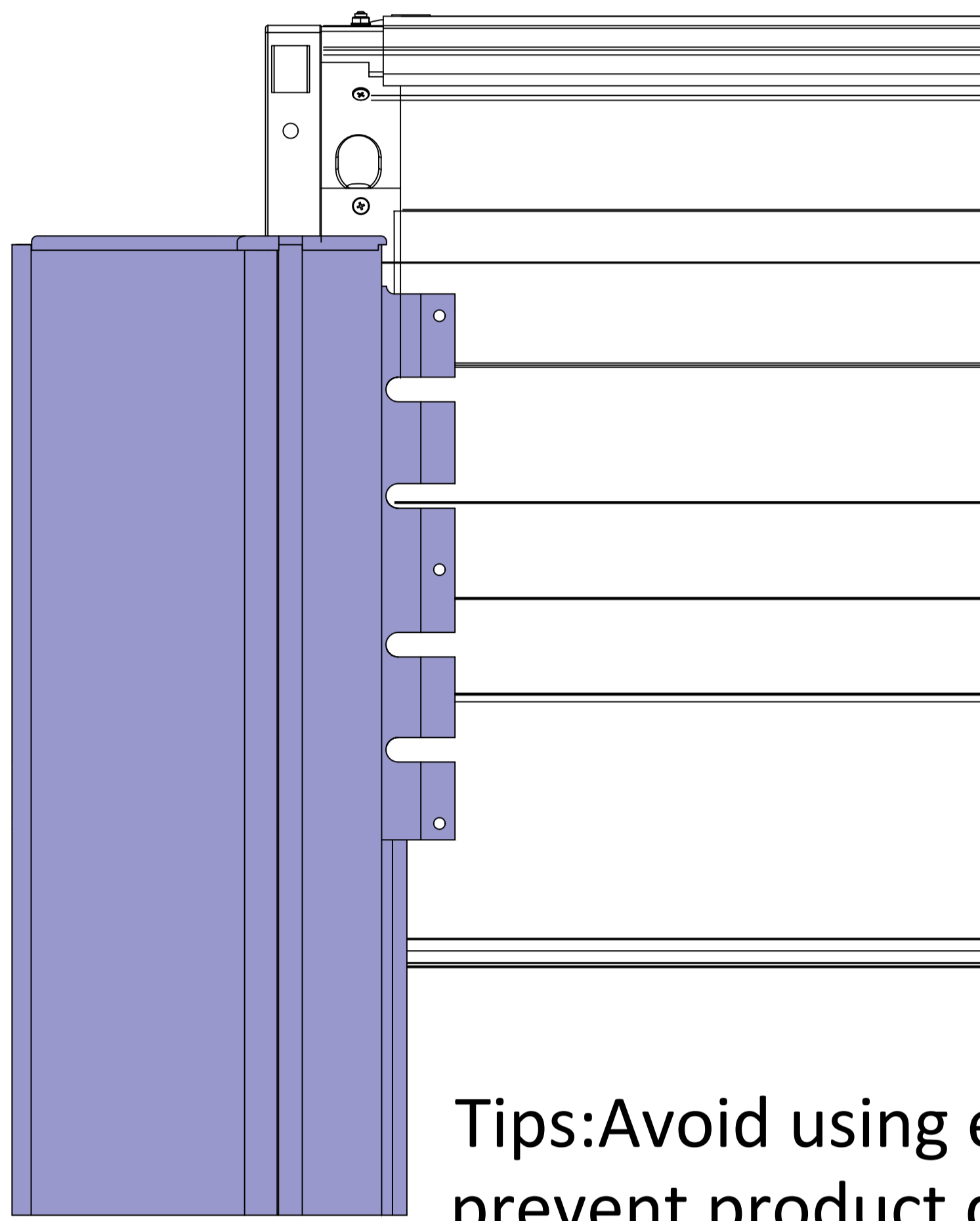
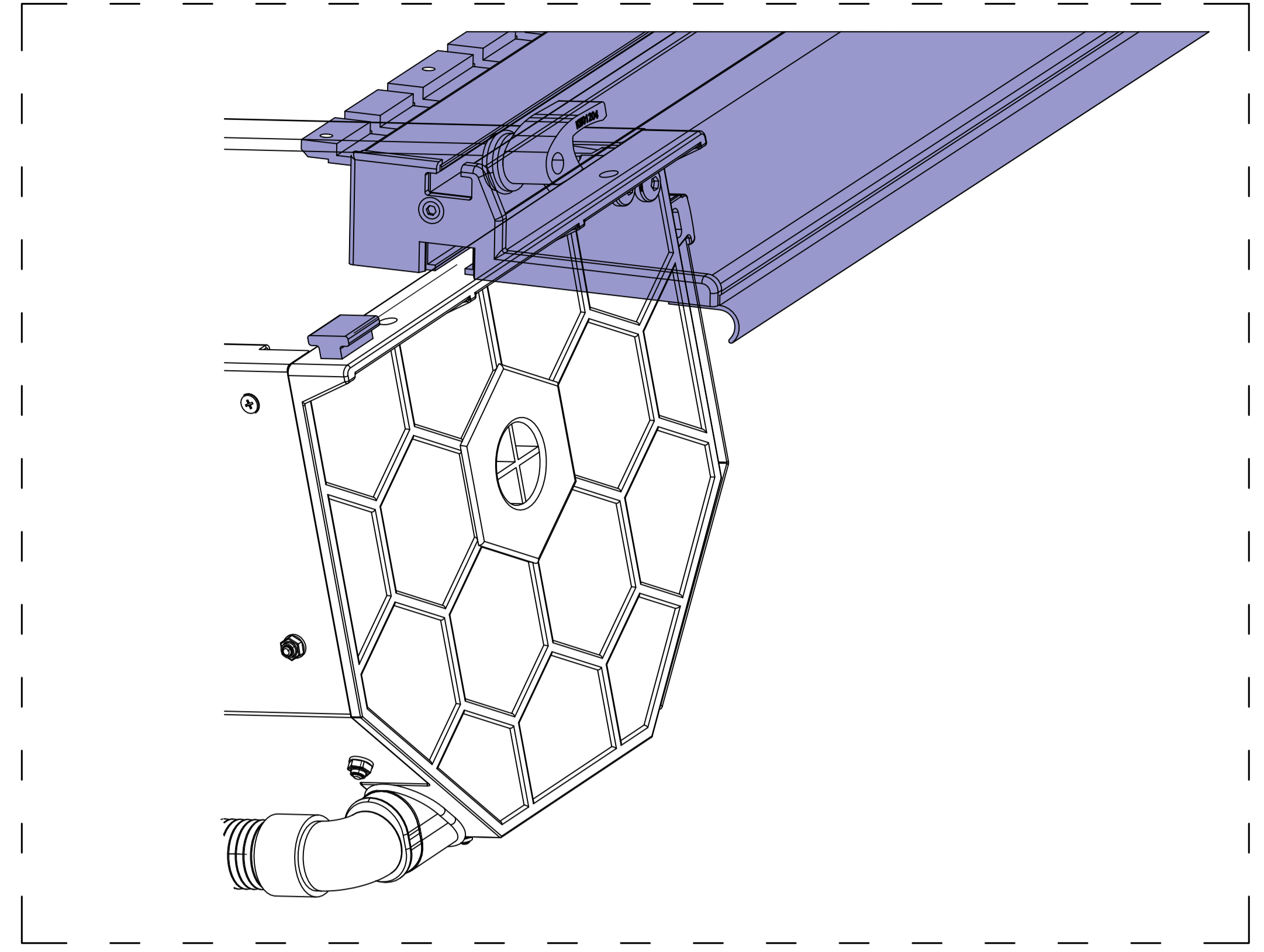
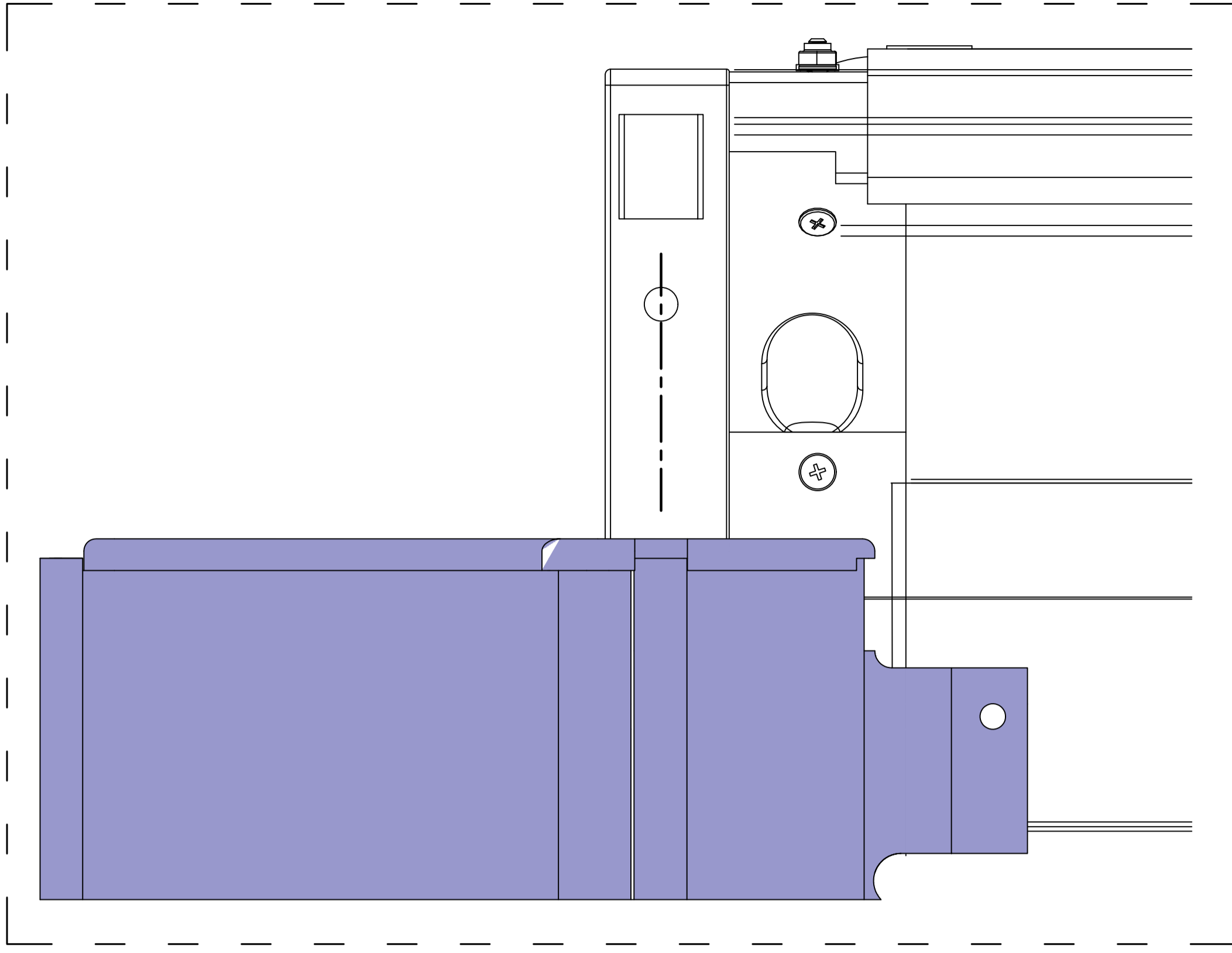
6



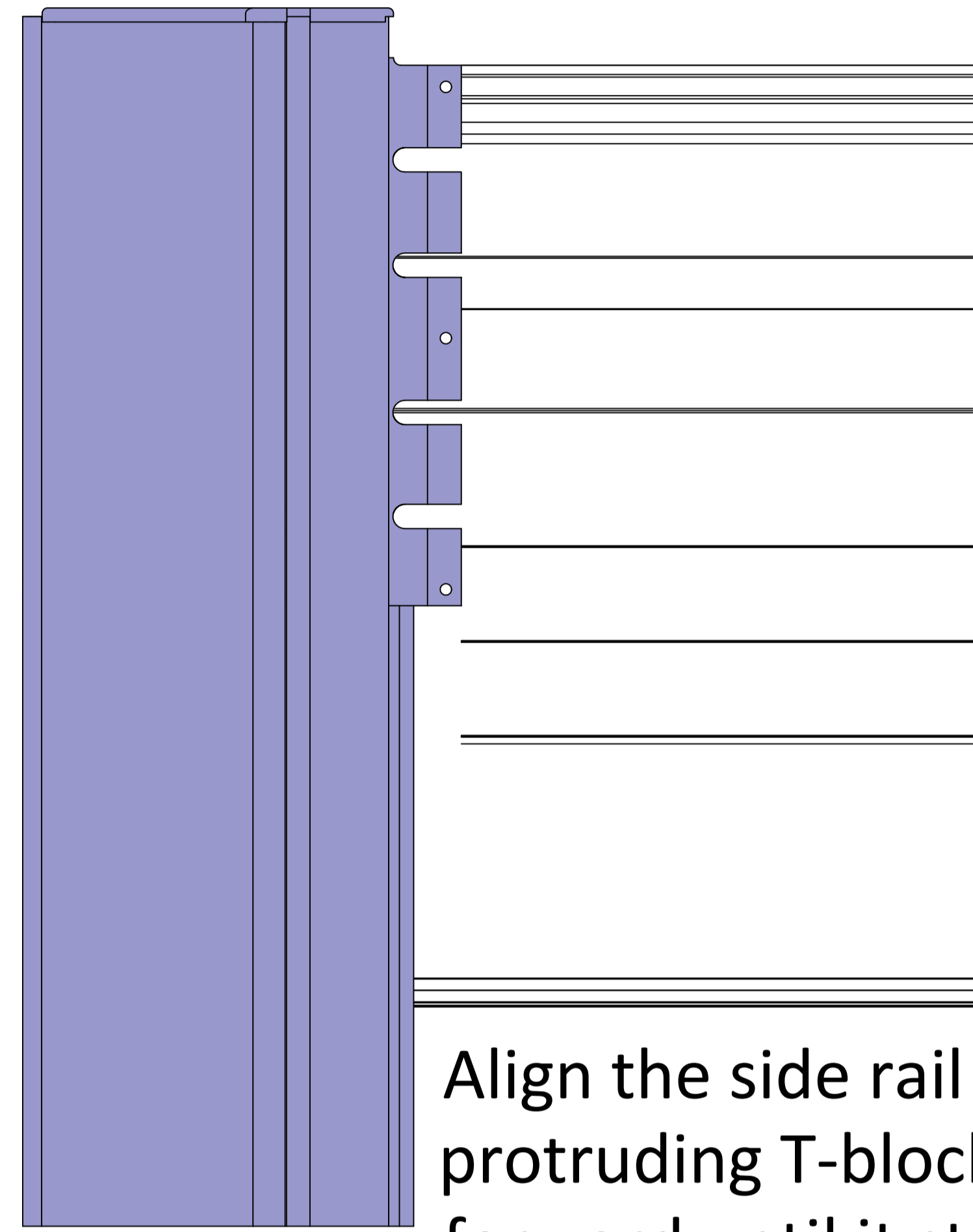
TIPS: Avoid using excessive force during operation to prevent product damage.

Lift the side rails up 10°, then swing them out 10°. Insert the rear panel and tonneau cover slats into the side rail grooves.

7

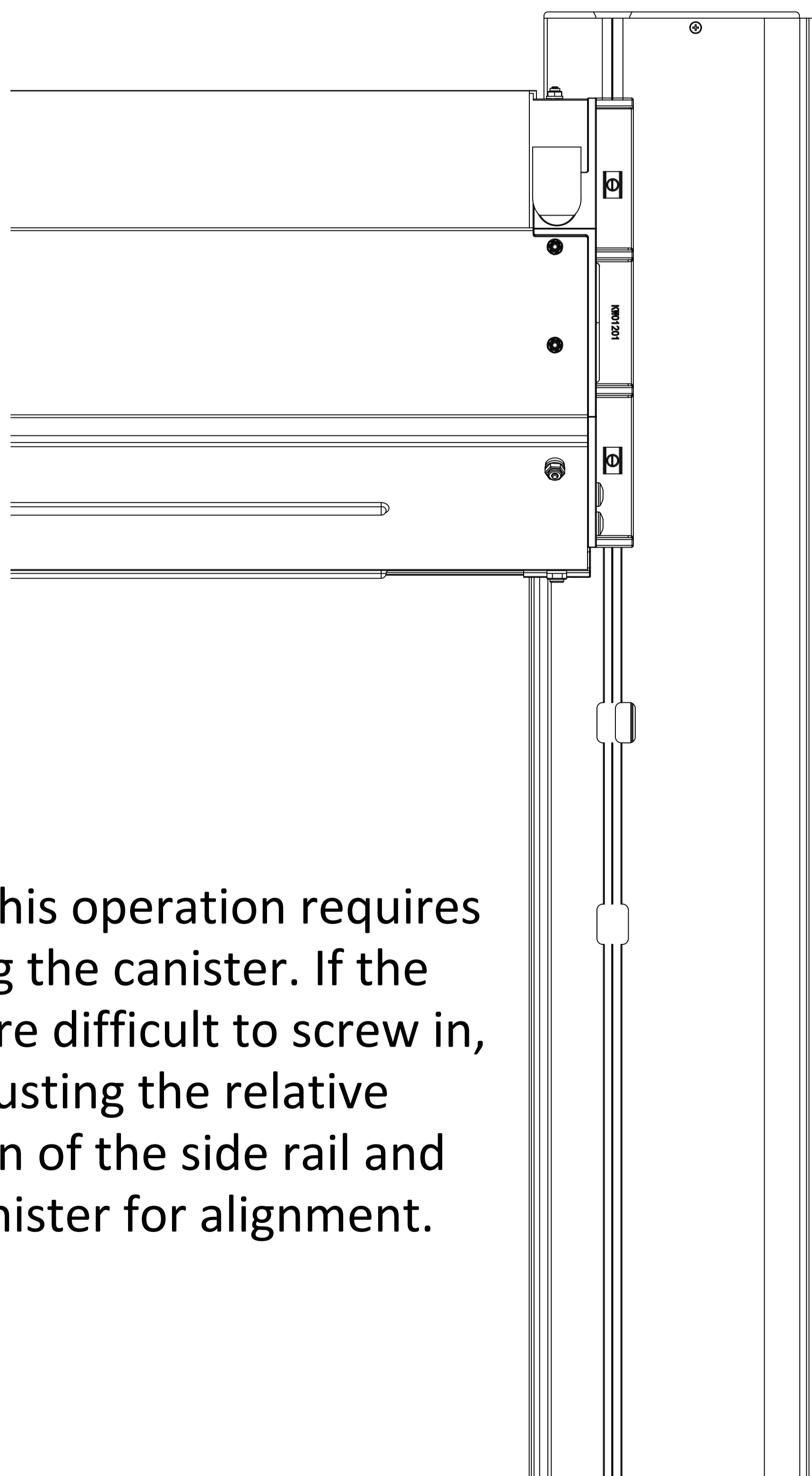


Tips: Avoid using excessive force to prevent product damage.

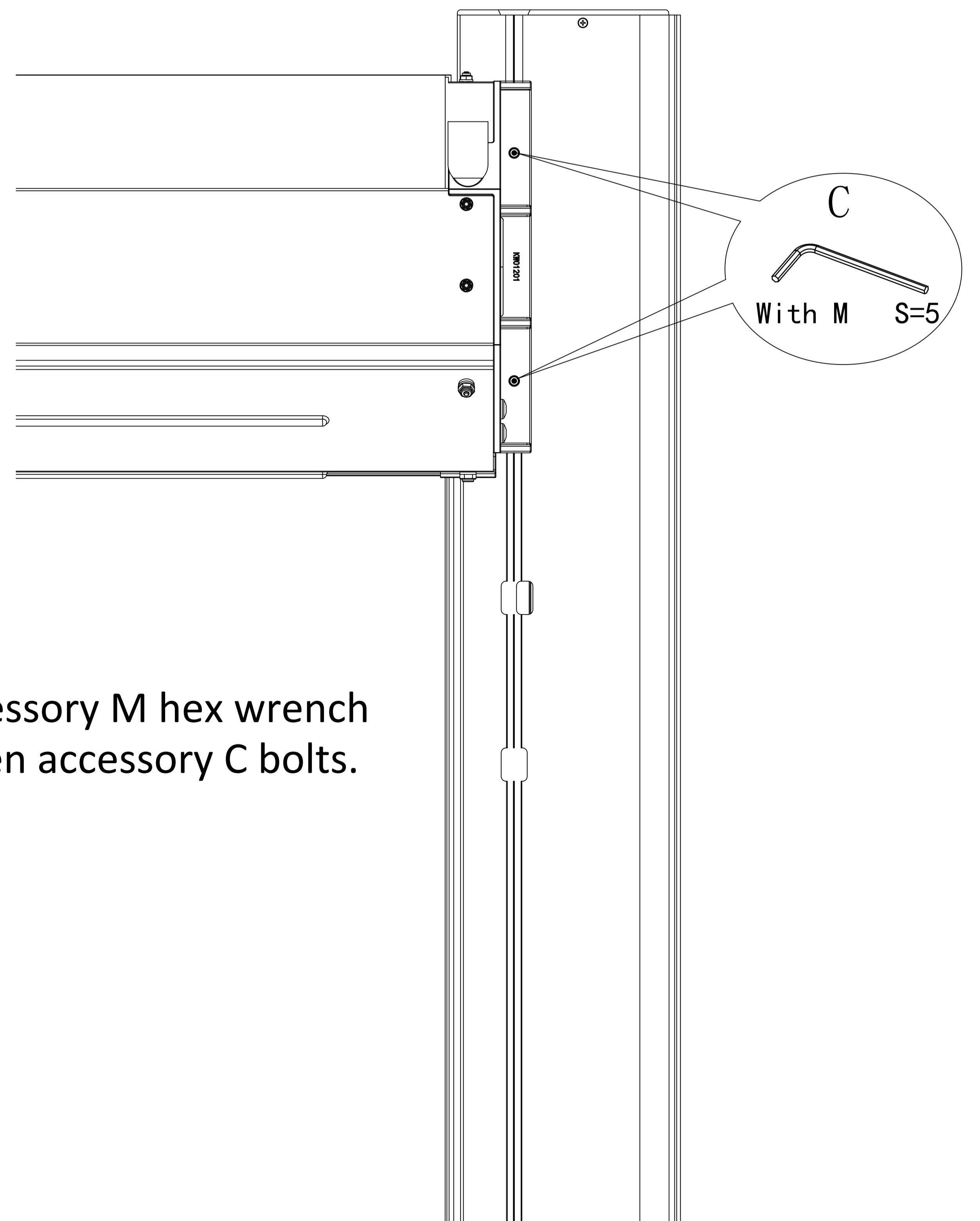


Align the side rail groove with the protruding T-block and push the side rail forward until it stops.

8

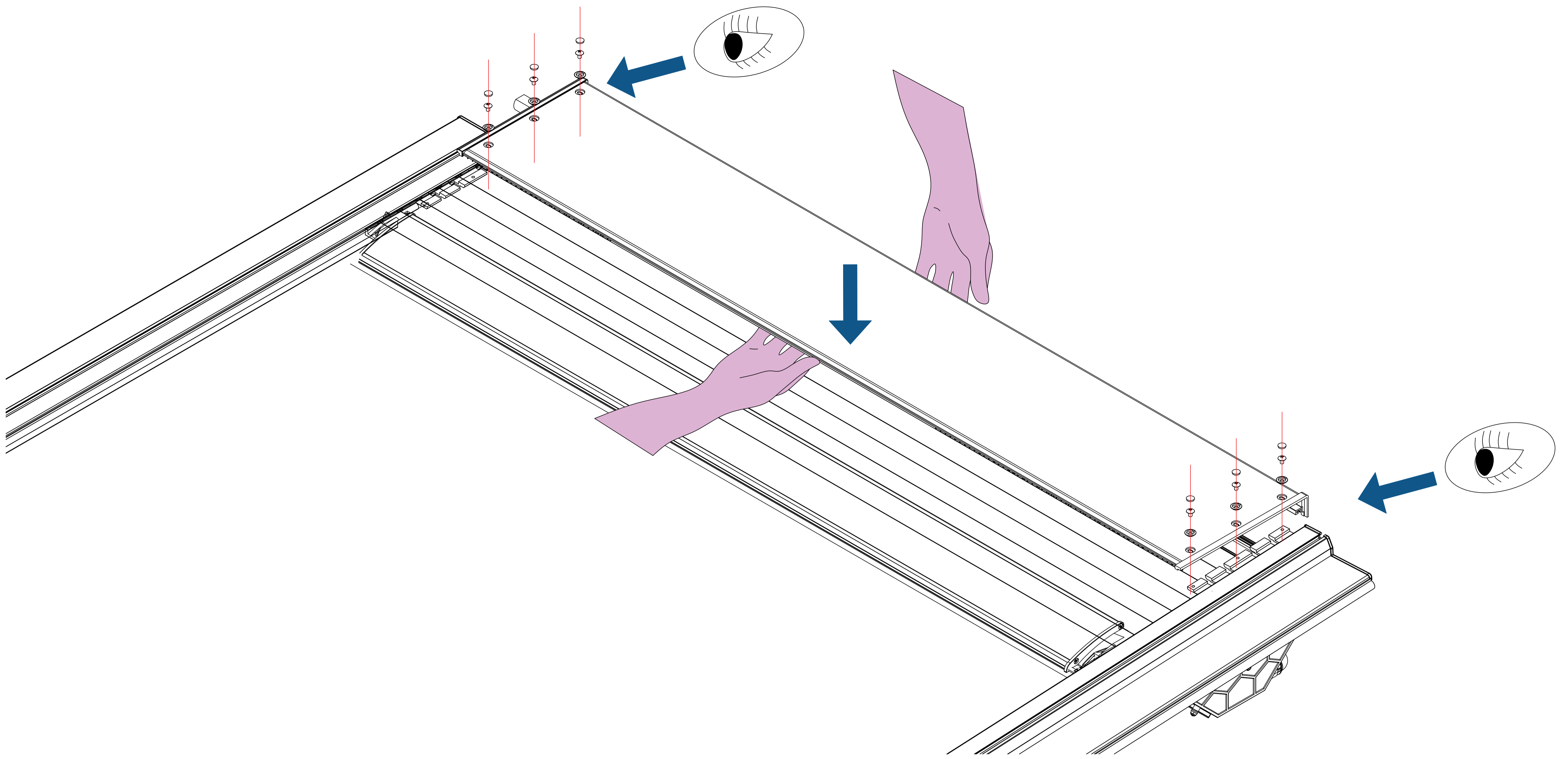


TIPS: This operation requires flipping the canister. If the bolts are difficult to screw in, try adjusting the relative position of the side rail and the canister for alignment.



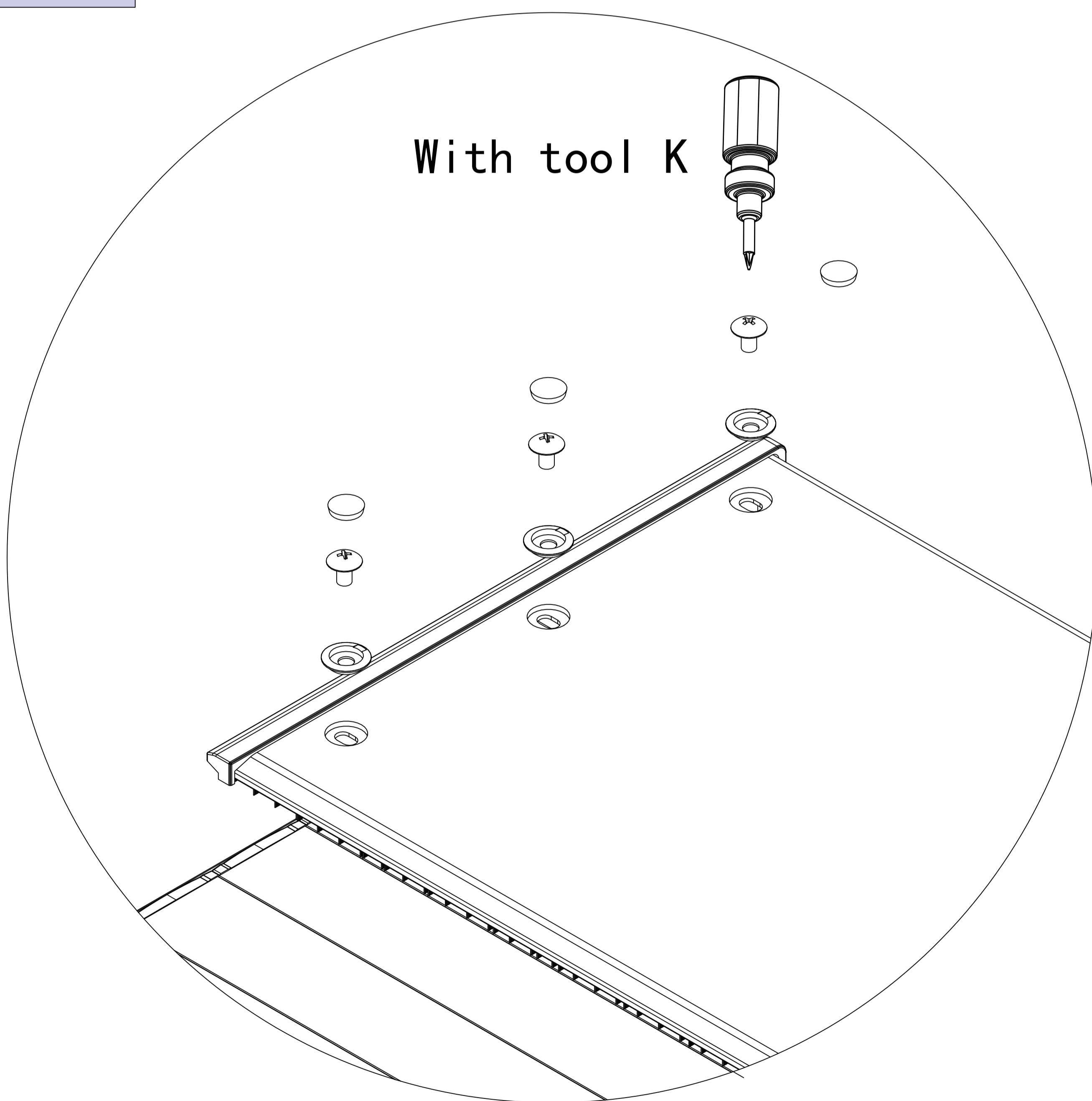
Use accessory M hex wrench to tighten accessory C bolts.

9

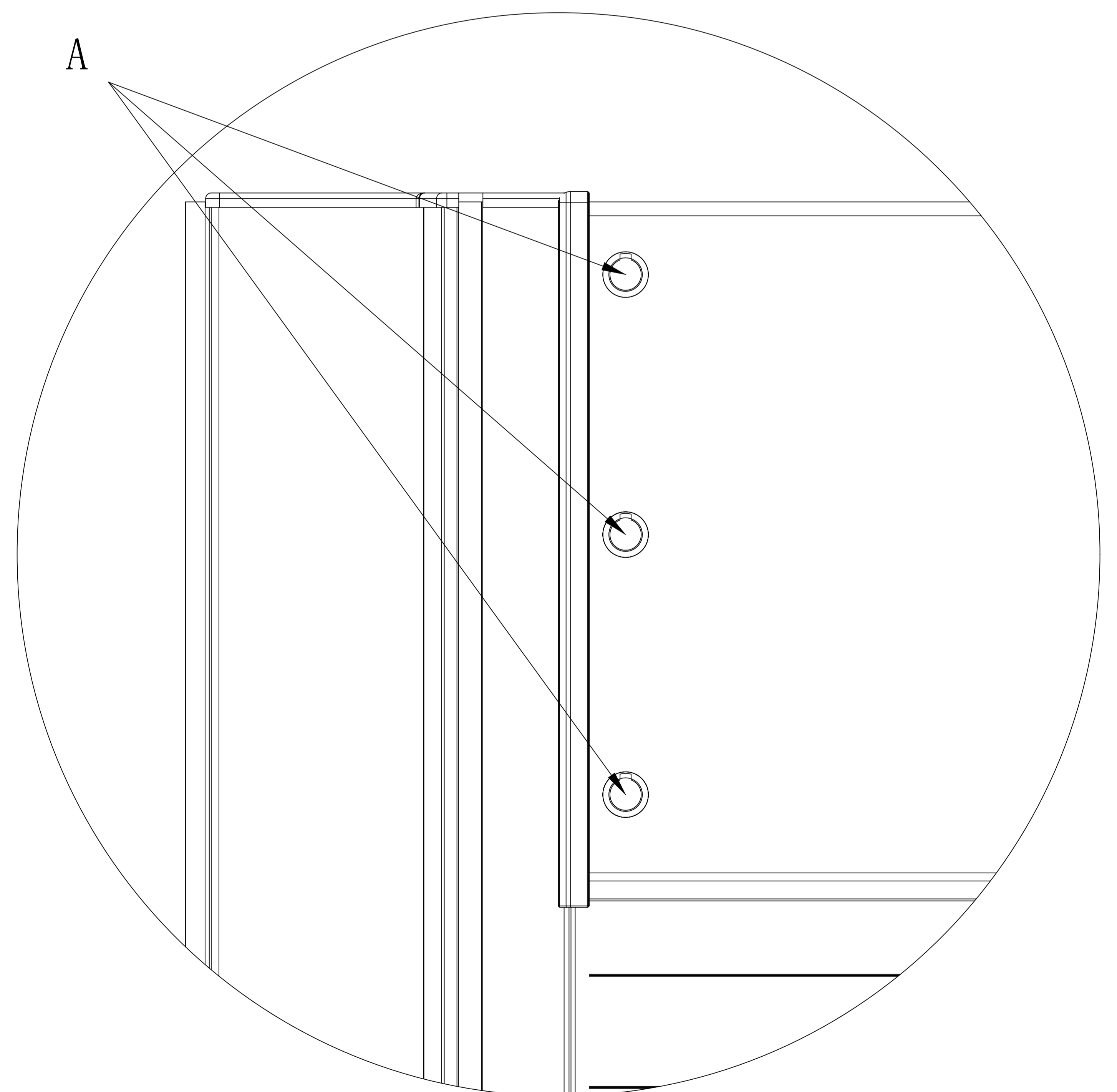


Align the cover plate with the holes on the side rails.

10

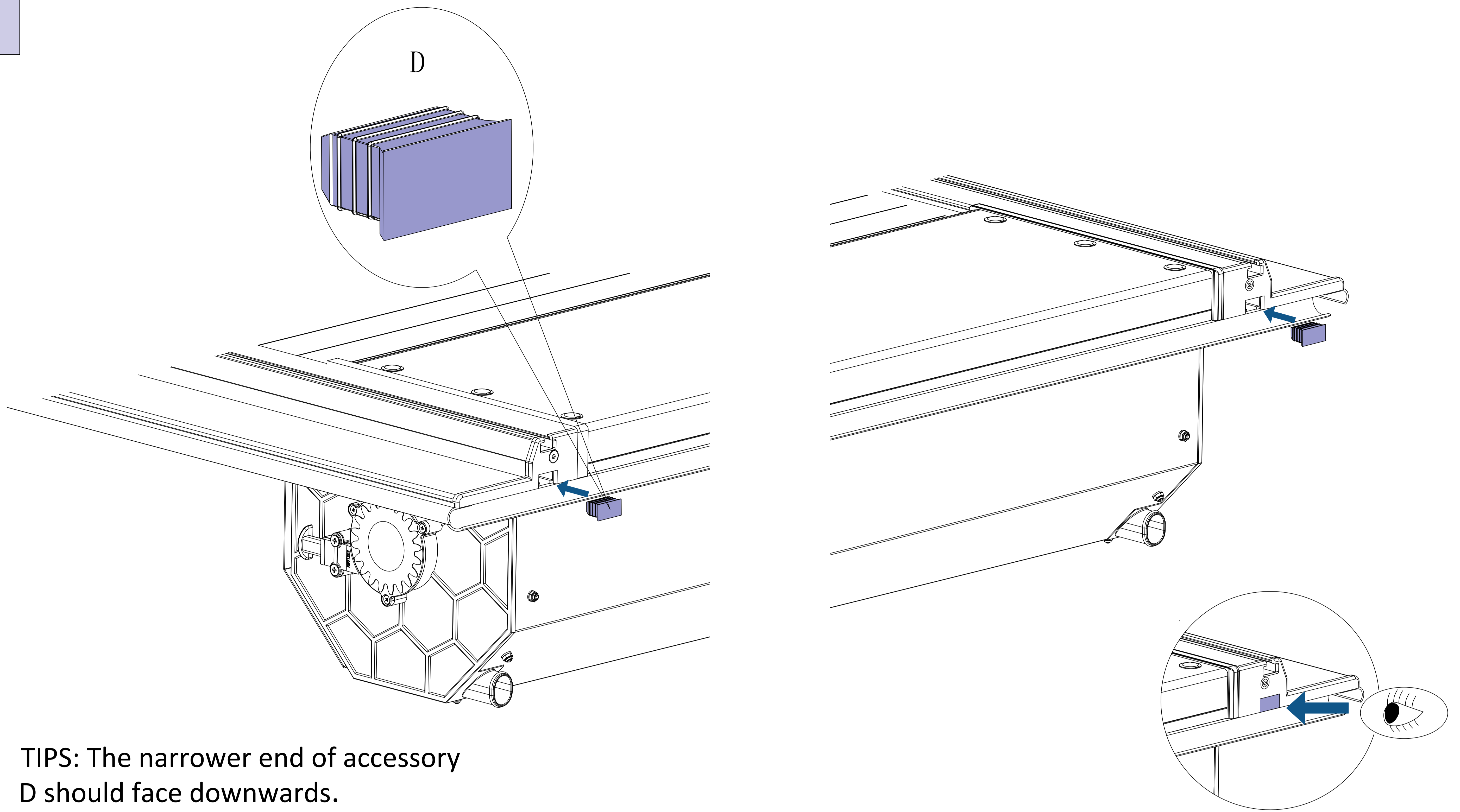


TIPS: Partially tighten the bolts on one side first, install the bolts on the other side, then fully tighten all bolts.



Insert the bases and bolts from accessory A into the holes on the cover plate. Use a Phillips head screwdriver (accessory) to tighten the bolts. Finally, press the cap of accessory A into place.

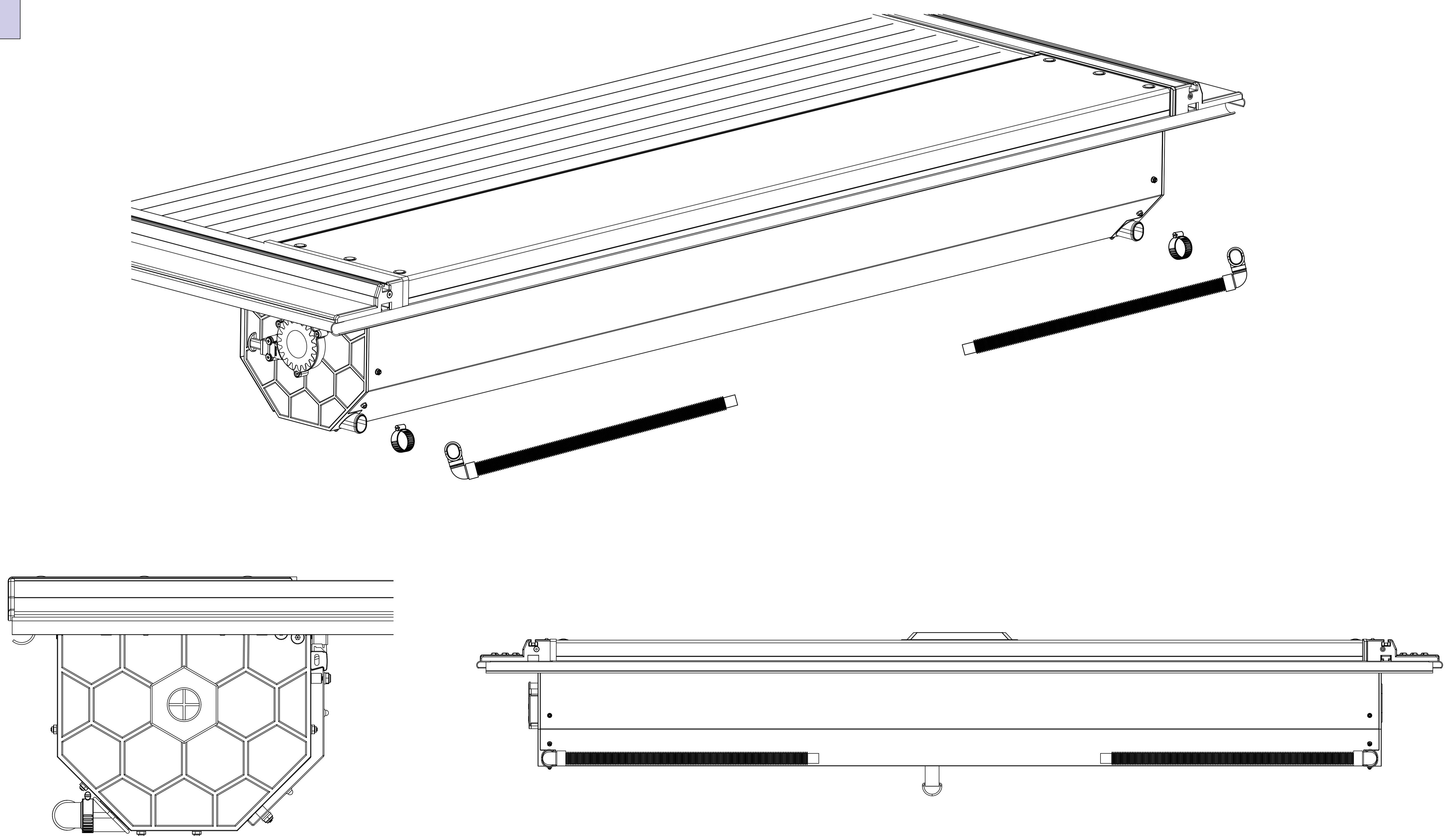
11



TIPS: The narrower end of accessory D should face downwards.

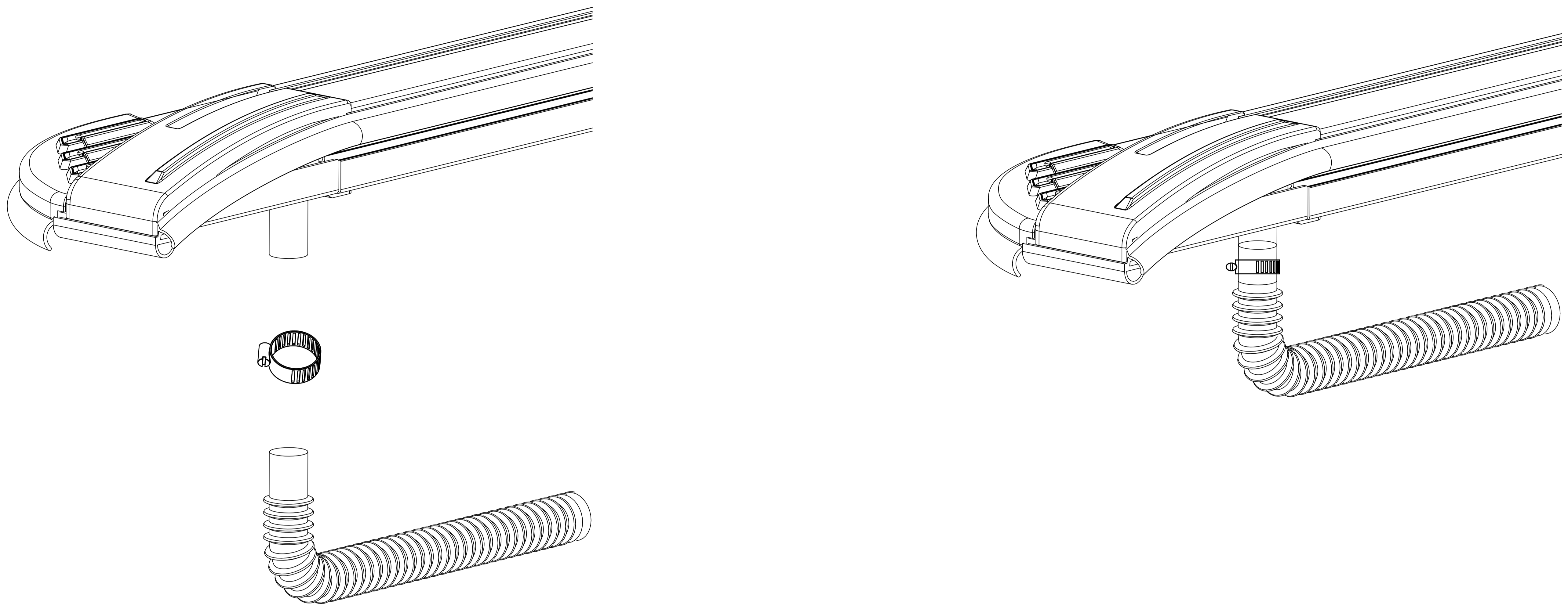
Insert accessory D into the corresponding position at the front end of the side rail and press firmly. Ensure the end face of the accessory is flush with the front end face of the side rail.

12



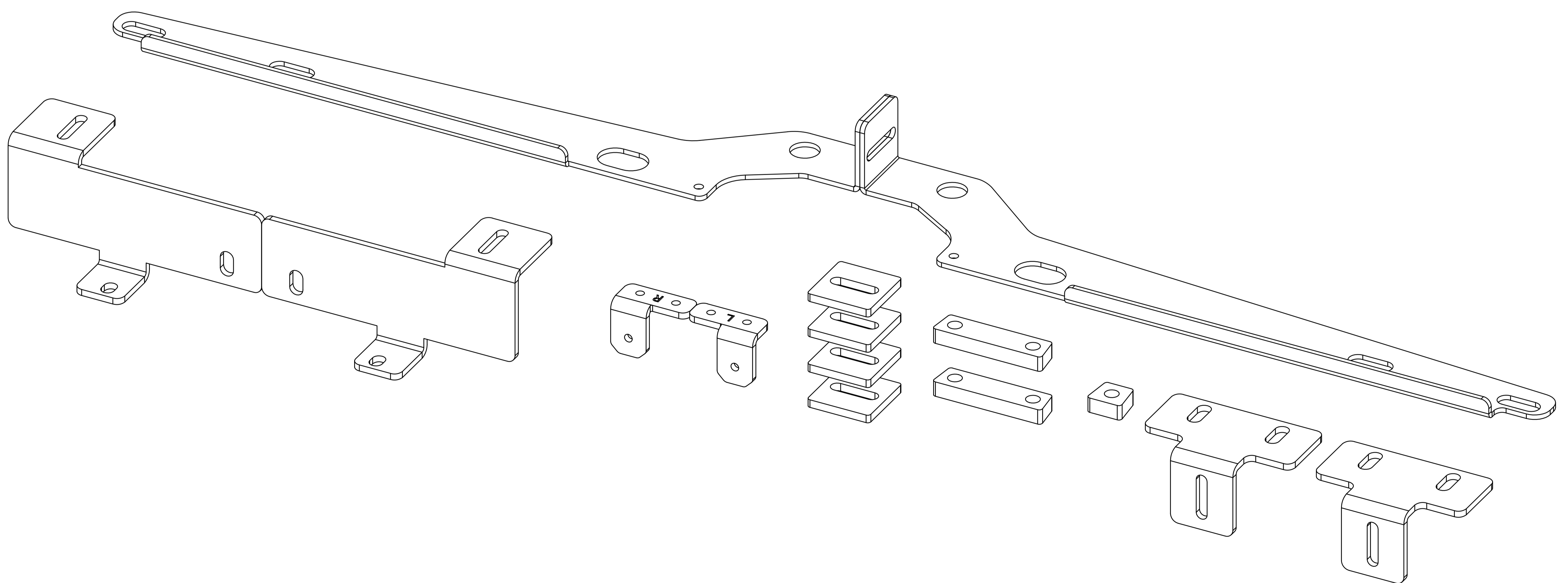
Use accessory tool K to tighten accessory F bolts. Install the drain tubes symmetrically on both sides.

13



Use accessory tool K to tighten accessory F bolts.
Ensure drain tubes are installed consistently on both sides.

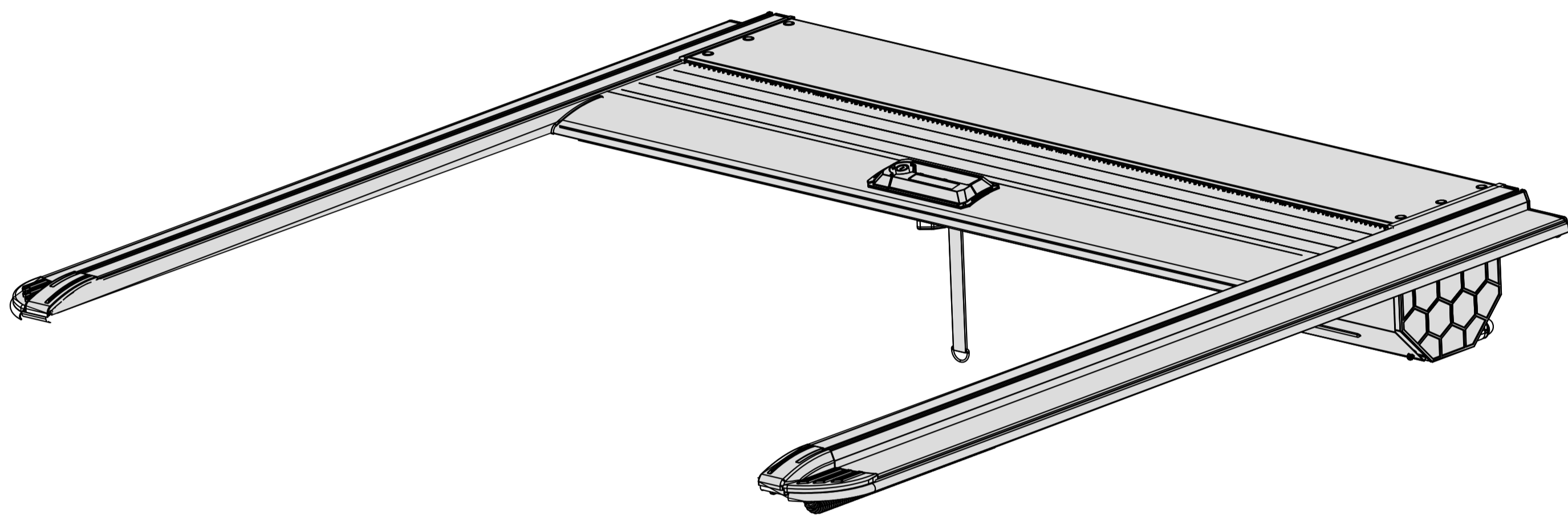
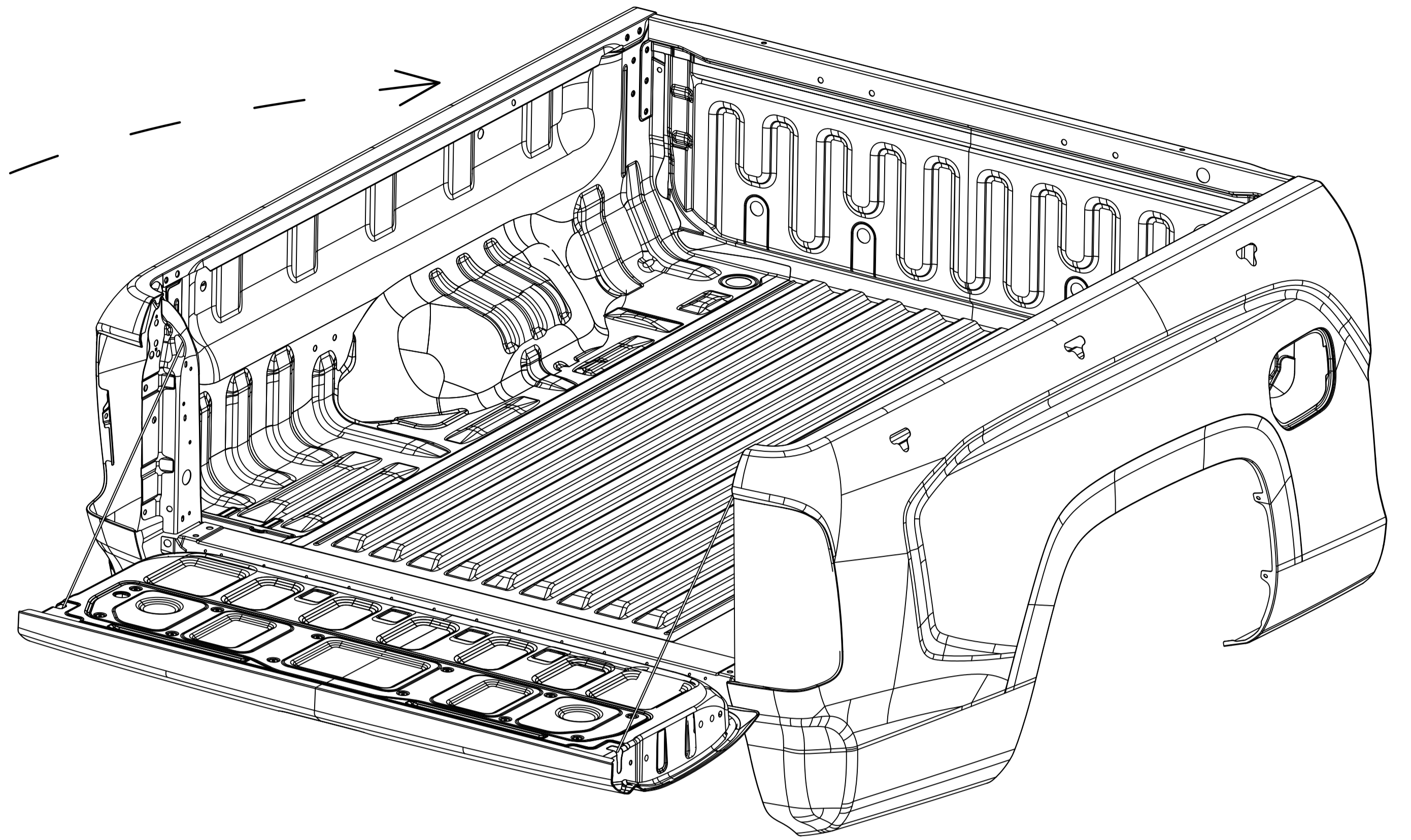
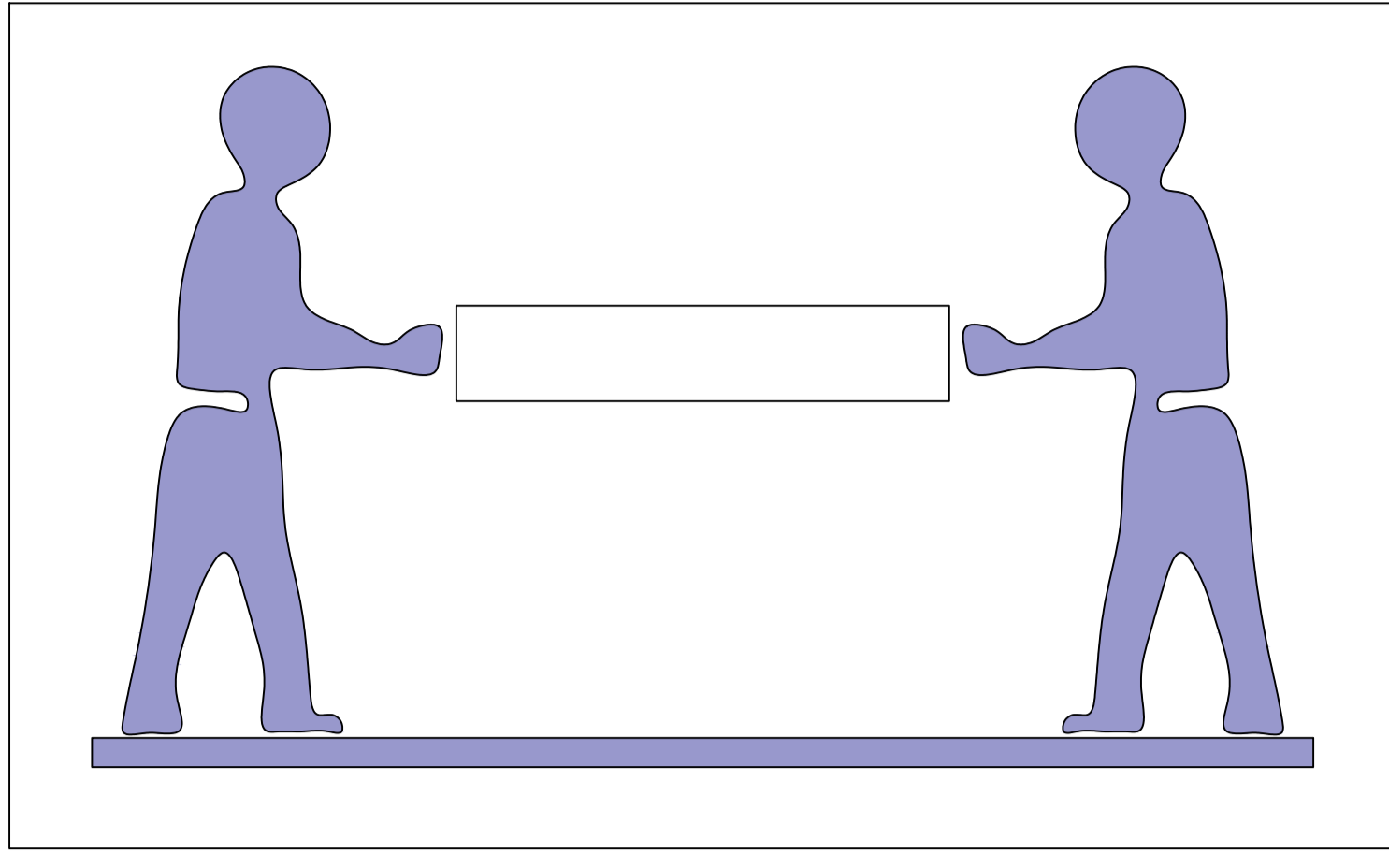
14



Gather all the installation accessories.

2.3 Product Installation on Vehicle

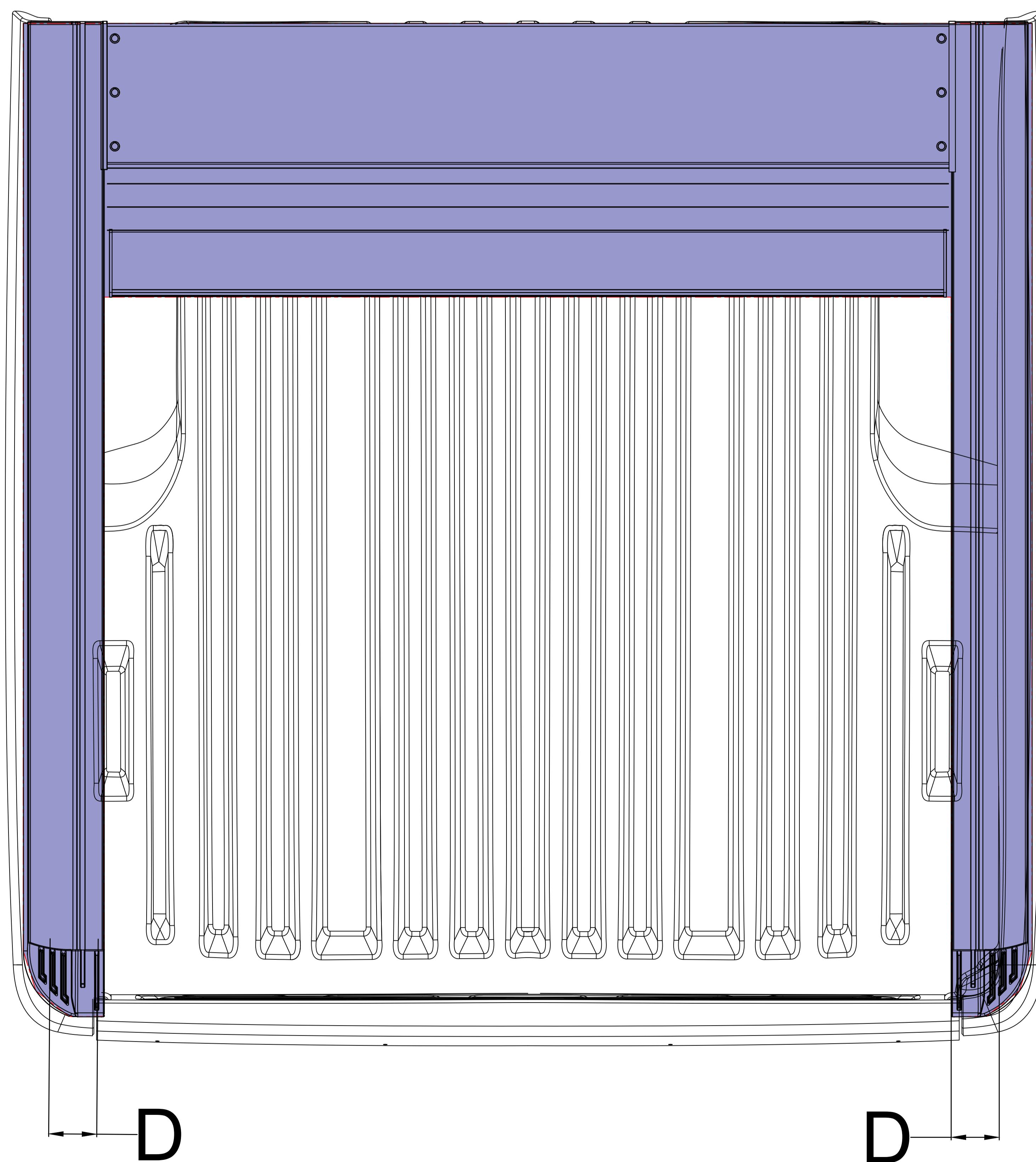
15



Lift the canister onto the truck bed.

TIPS: For safety and product appearance protection, it is recommended that two people operate together to avoid scratching the truck bed or product surface during handling.

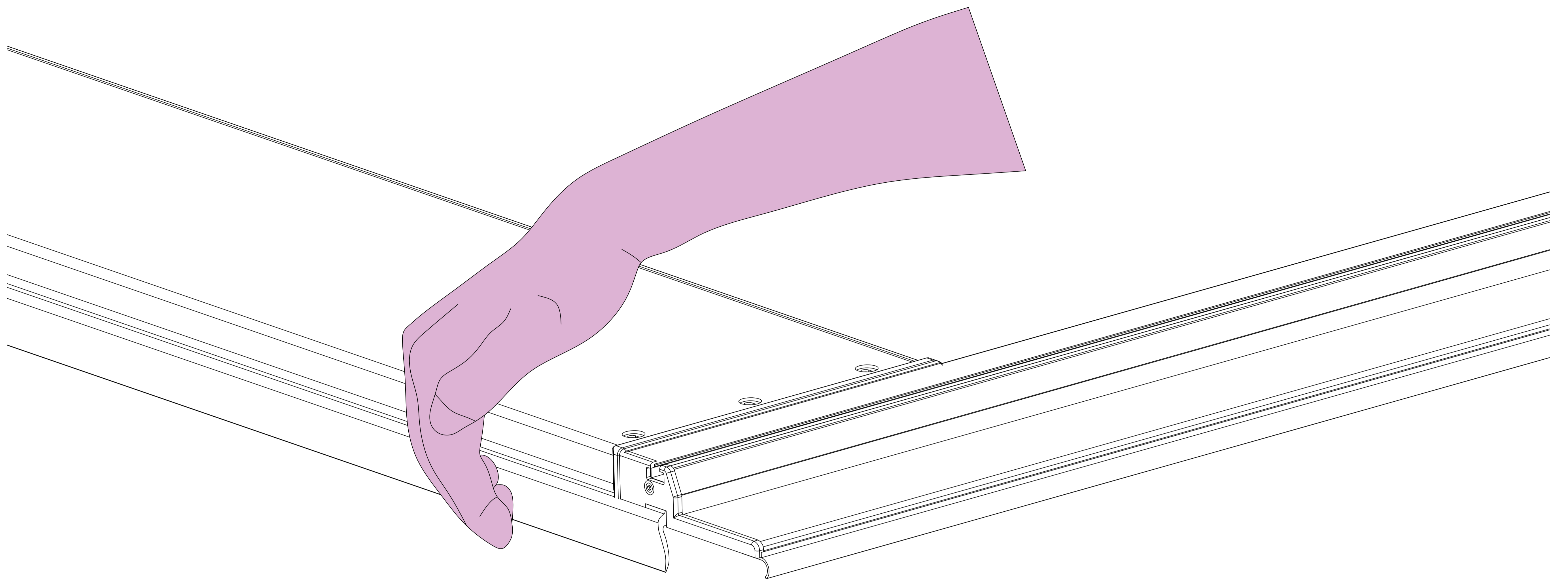
16



TIPS: If the rear end of the product does not align with the tailgate by 1-2CM, slightly move the tonneau cover backward.

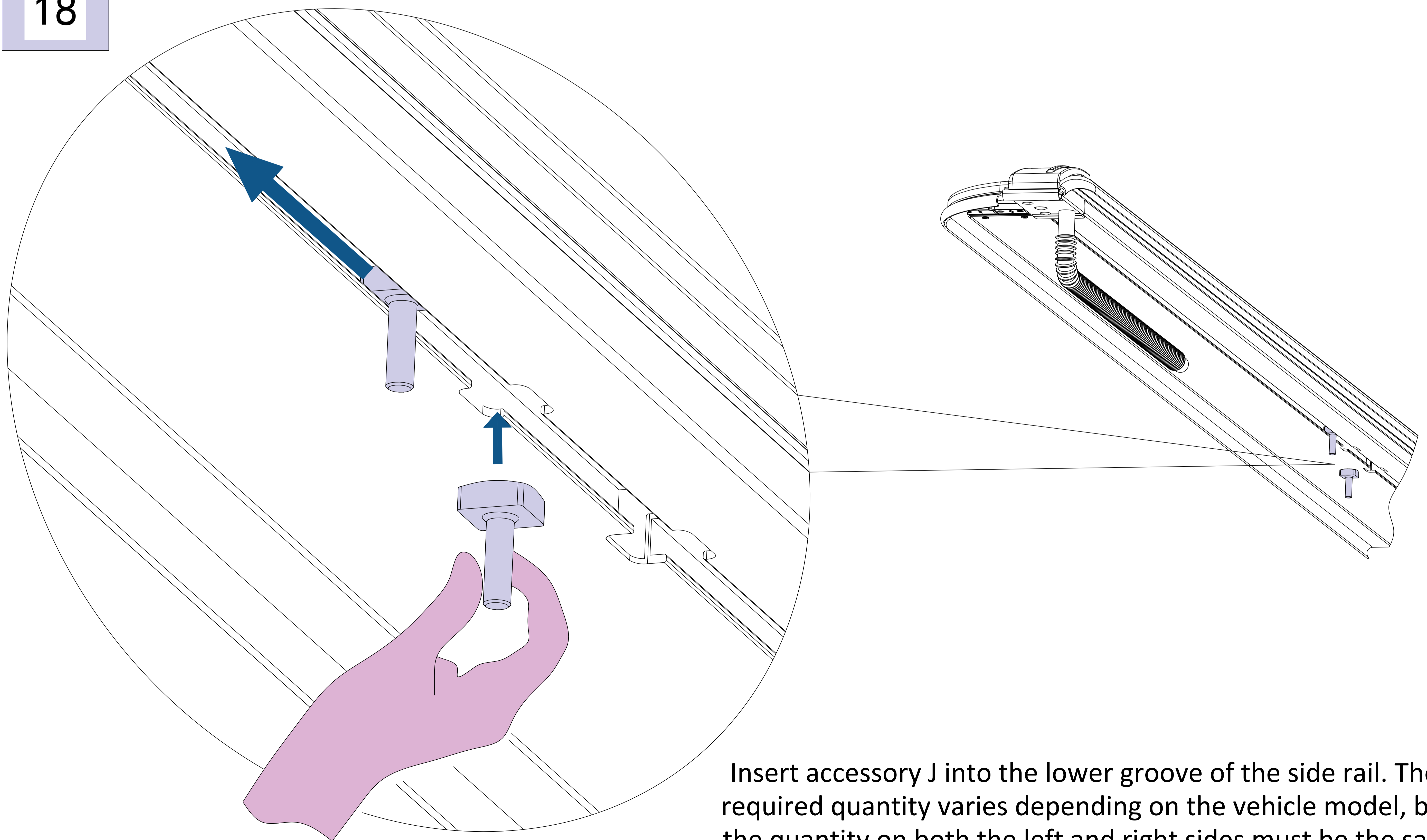
Push the tonneau cover to the front until it reaches the truck bed, and ensure the distance between both side rails and the truck bed is consistent.

17



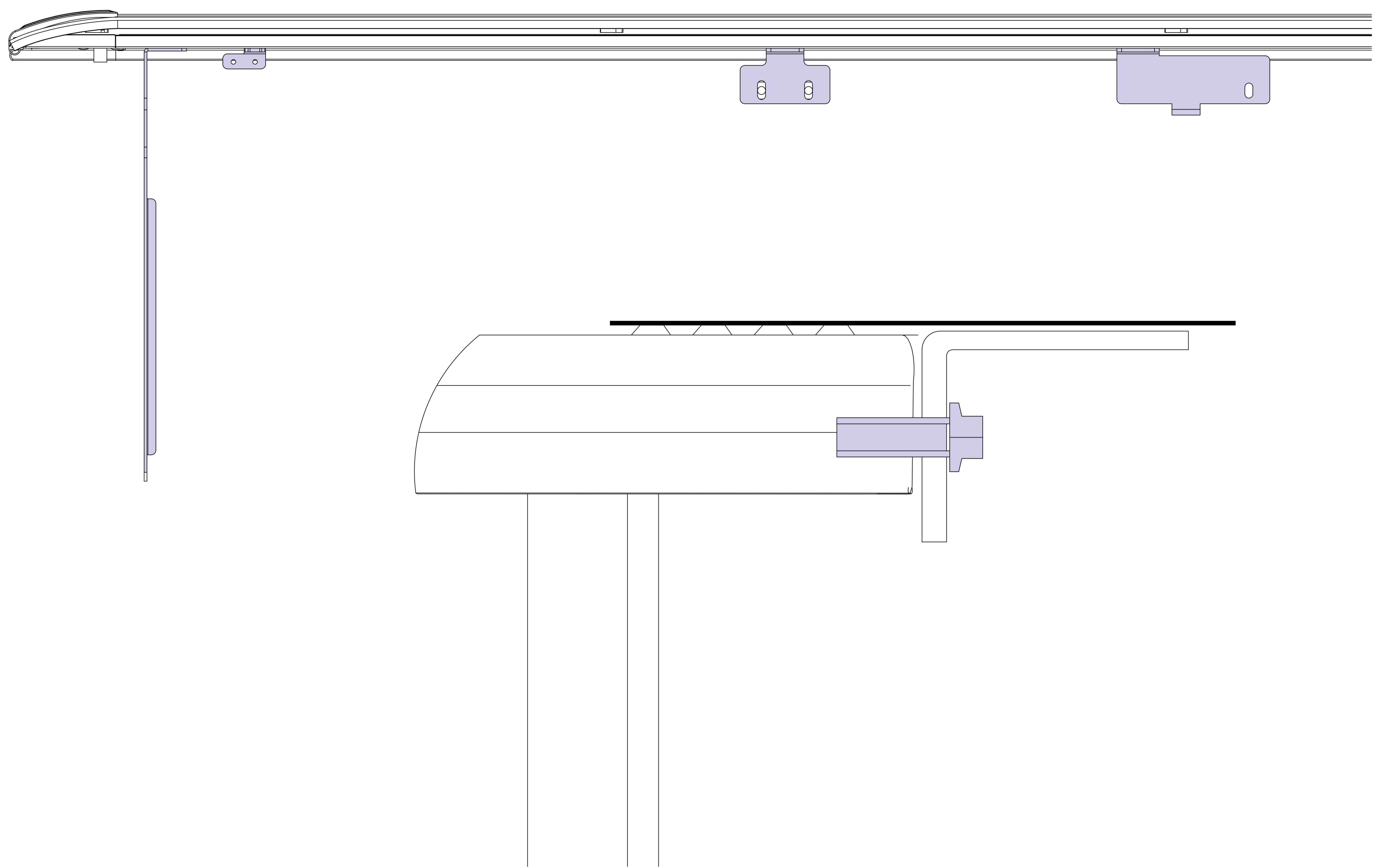
Pull out the rubber strip on the cover plate so that it fits tightly against the front edge of the truck bed.

18



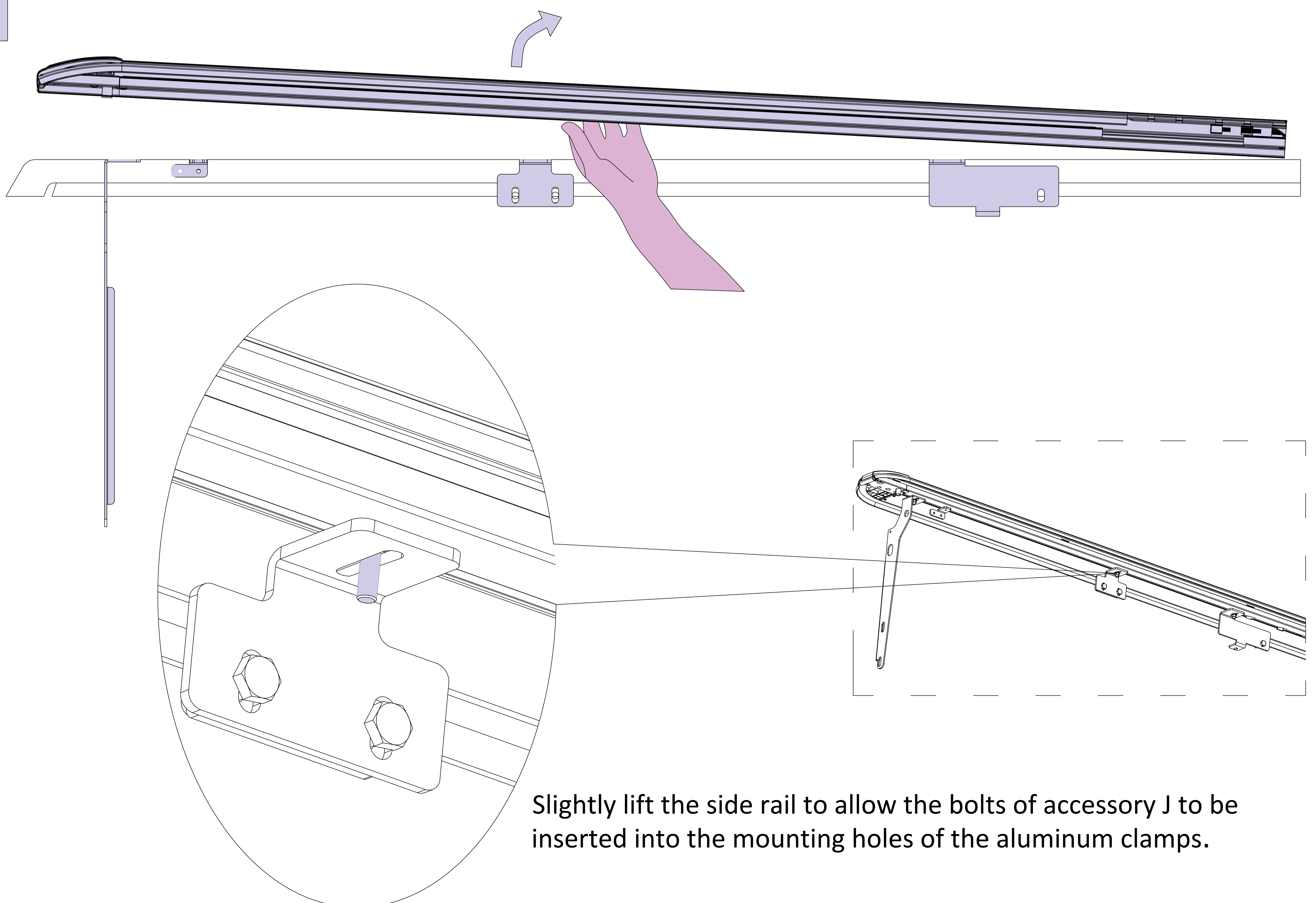
Insert accessory J into the lower groove of the side rail. The required quantity varies depending on the vehicle model, but the quantity on both the left and right sides must be the same.

19



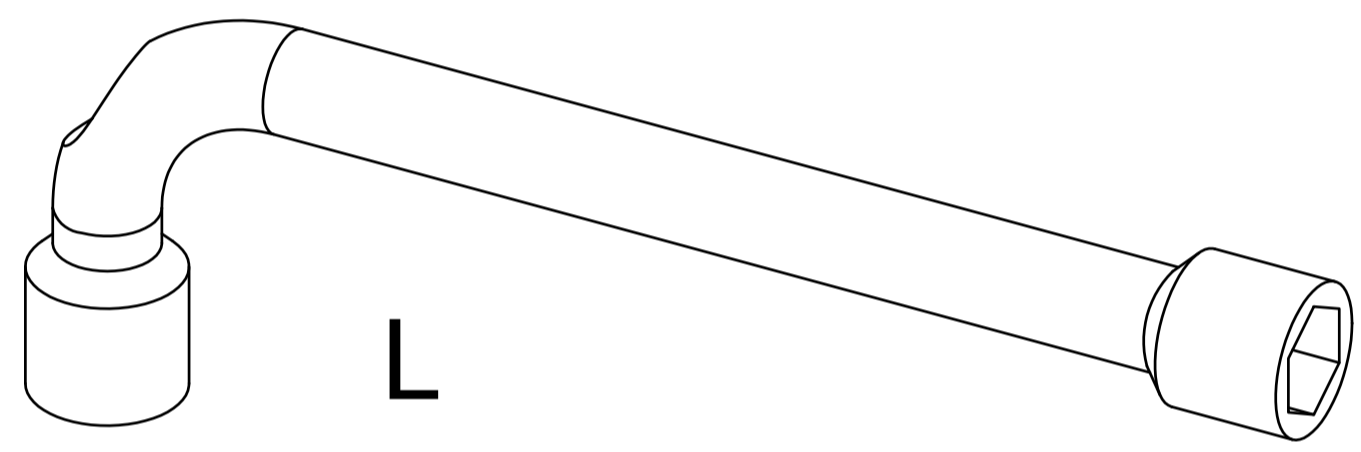
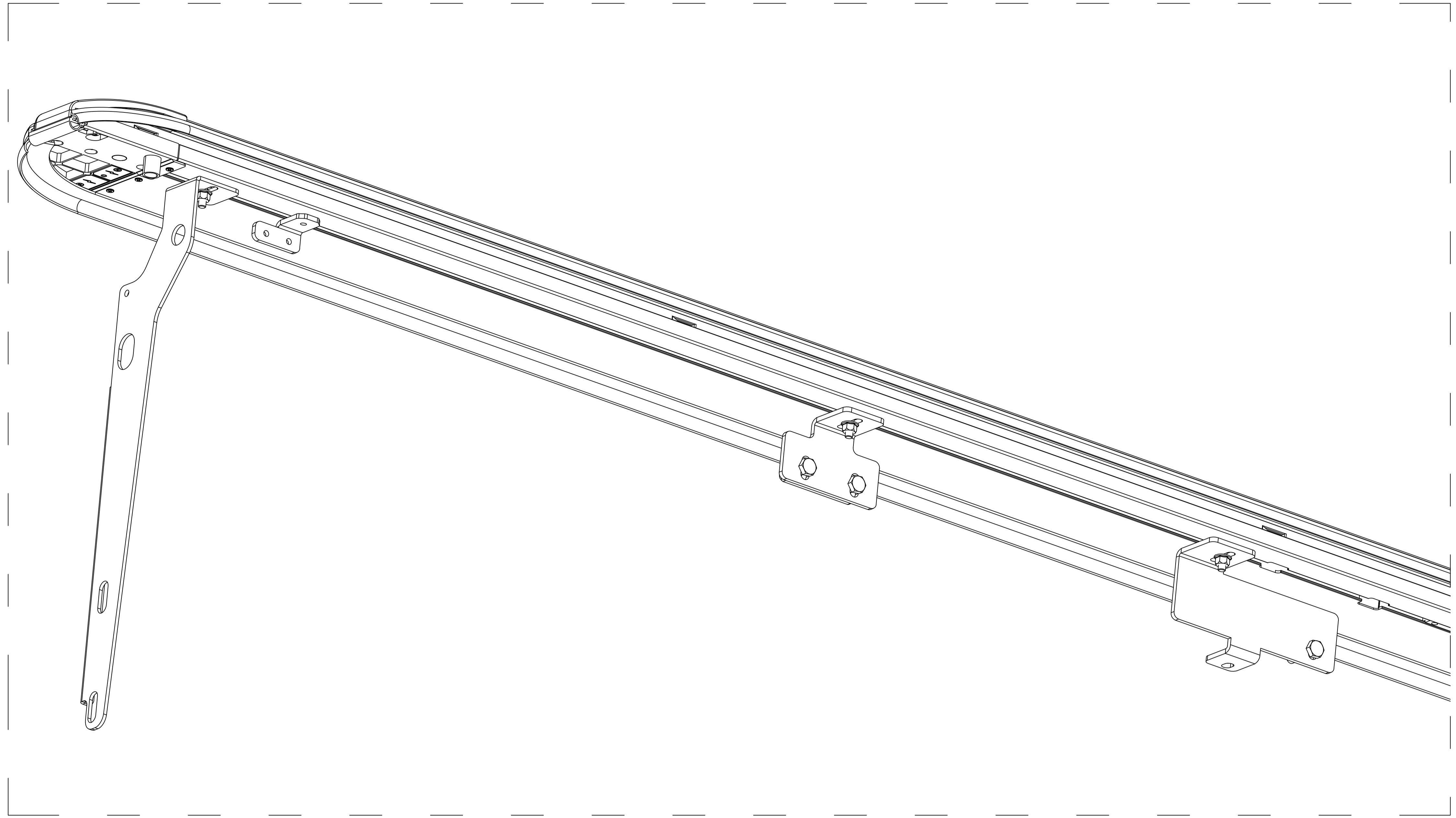
Install the iron brackets at suitable positions on both sides of the carriage, with the upper surface of the iron brackets flush with the carriage, as shown in the figure.

20



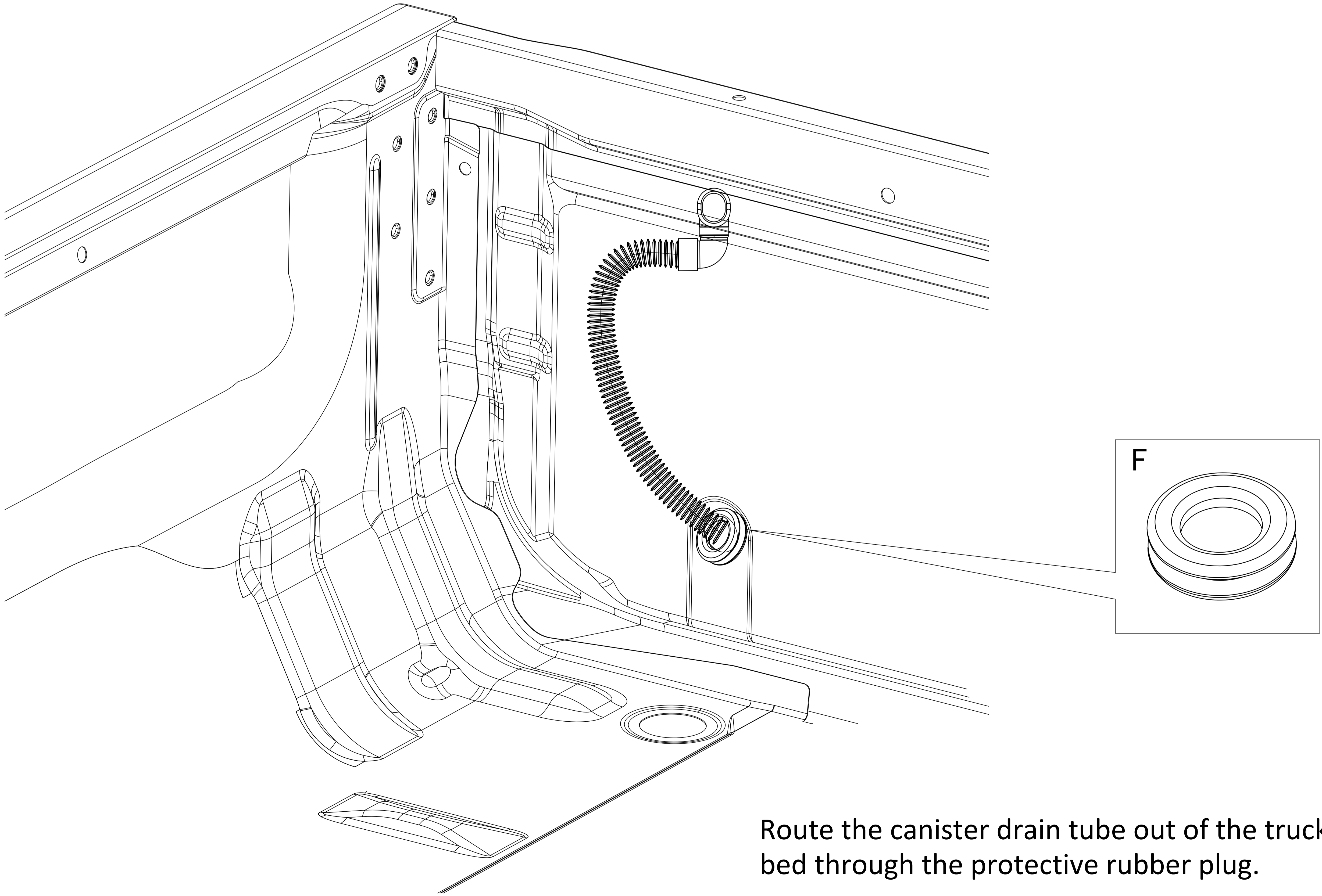
Slightly lift the side rail to allow the bolts of accessory J to be inserted into the mounting holes of the aluminum clamps.

21

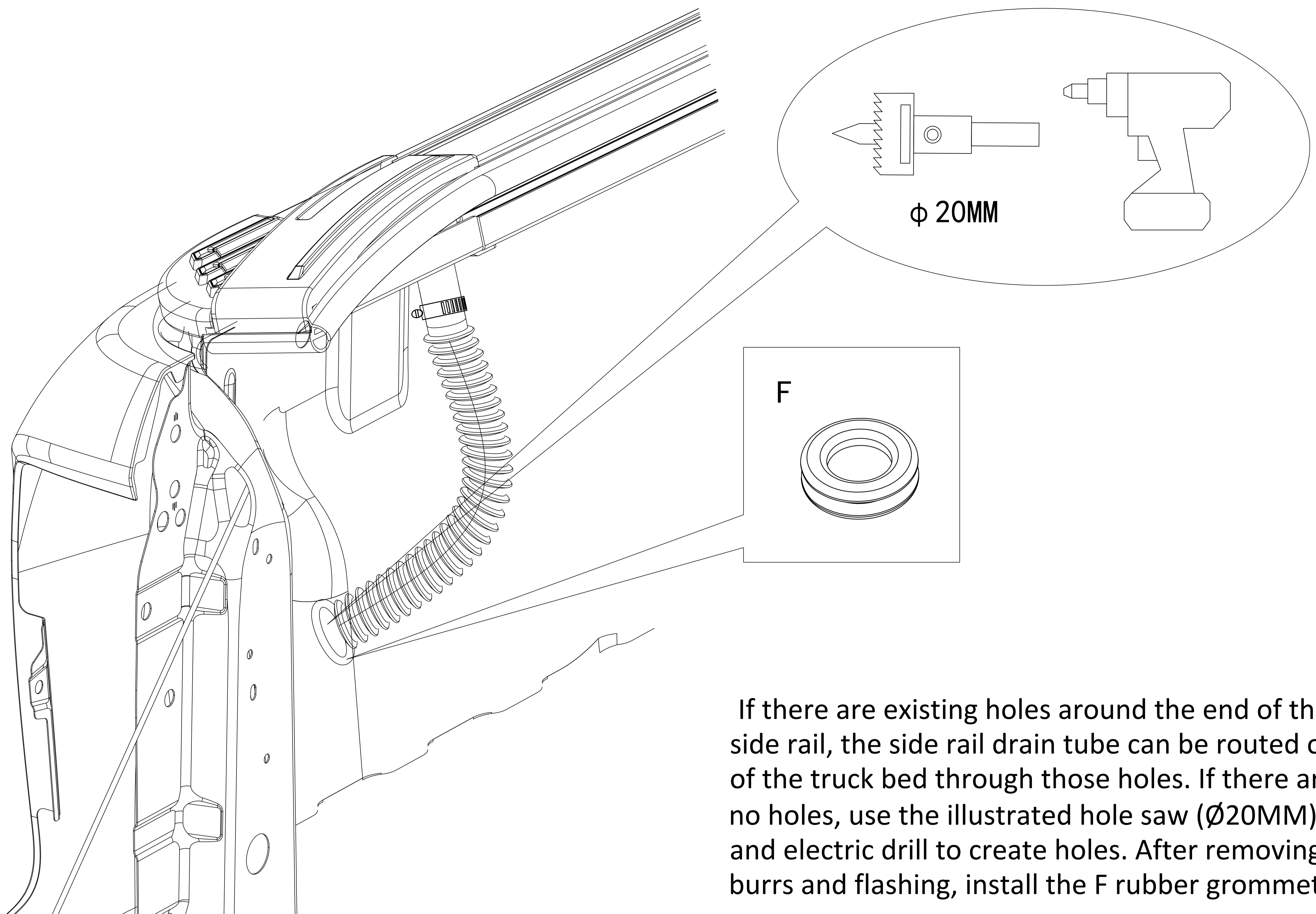


Assemble accessory J nuts and bolts. Use wrench L to pre-tighten and slightly secure, allowing the side rail to be adjustable; do not fully tighten yet.

22

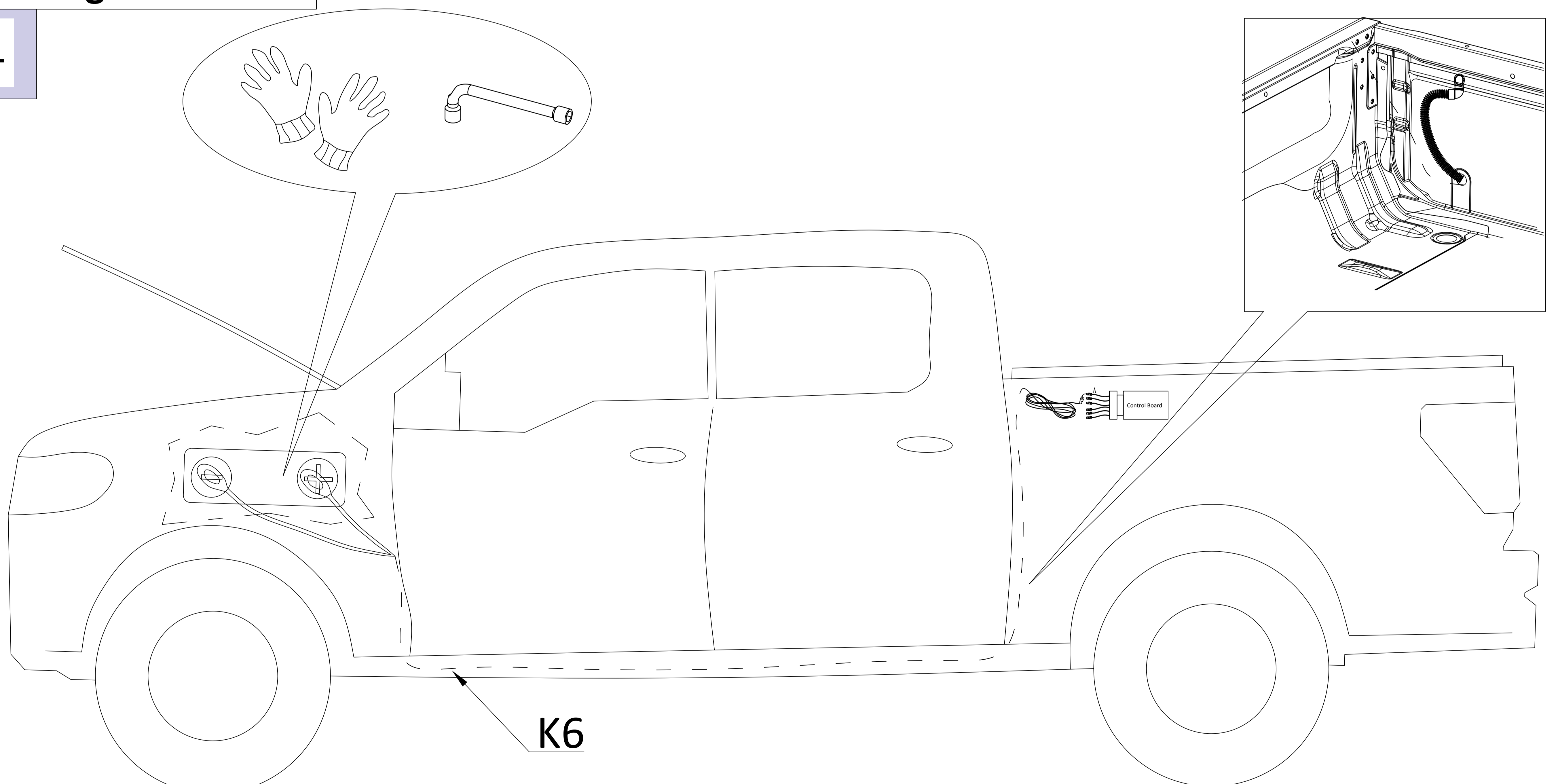


Route the canister drain tube out of the truck bed through the protective rubber plug.



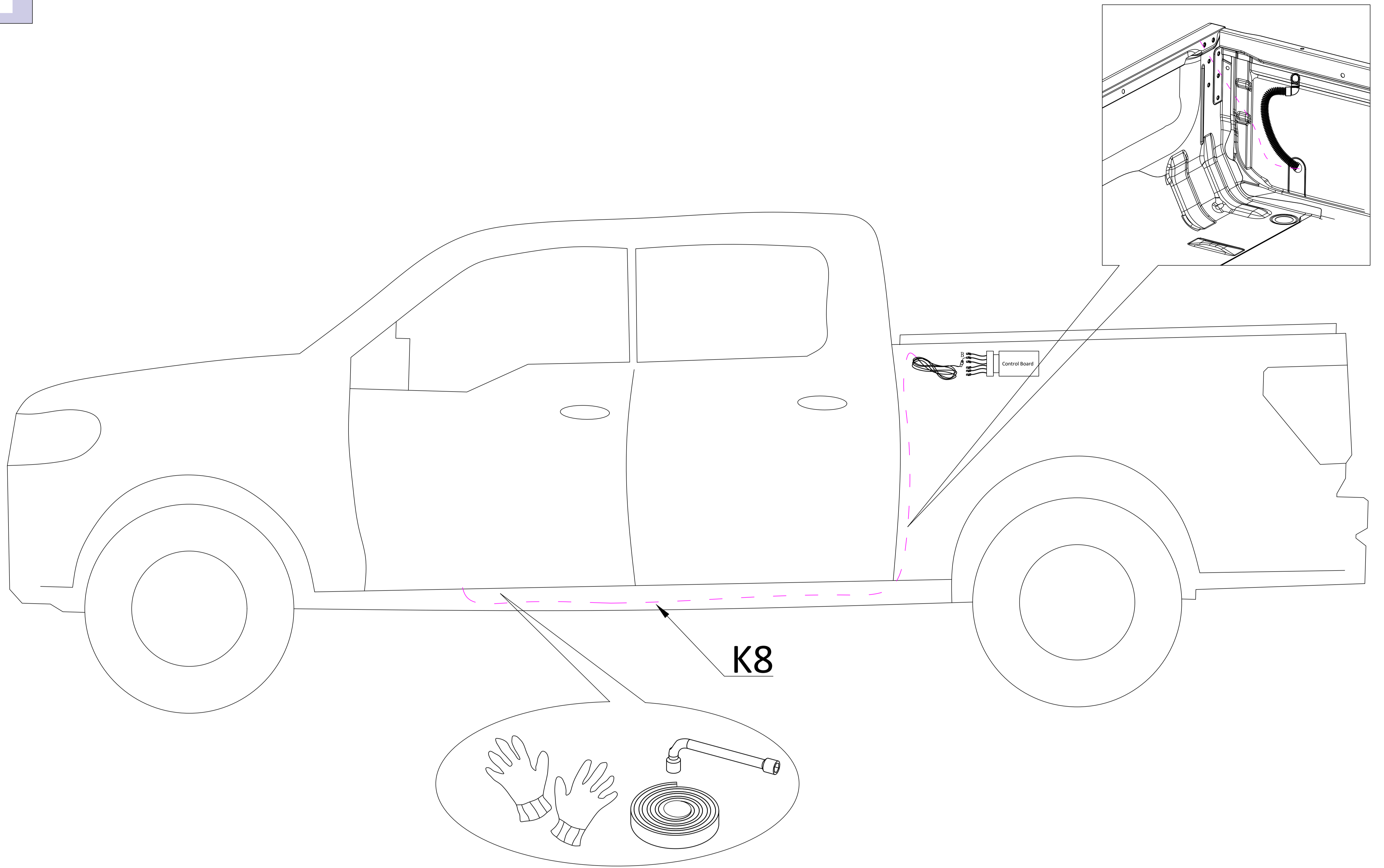
If there are existing holes around the end of the side rail, the side rail drain tube can be routed out of the truck bed through those holes. If there are no holes, use the illustrated hole saw ($\varnothing 20\text{MM}$) and electric drill to create holes. After removing burrs and flashing, install the F rubber grommets.

2.4 Wiring Connection



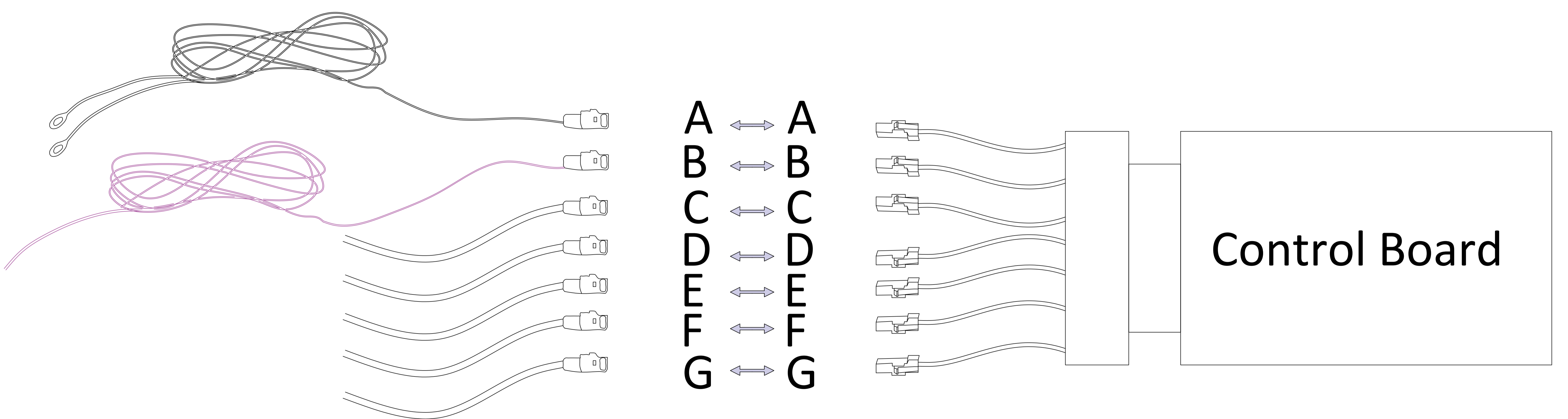
Please wear insulating gloves. Open the truck hood and loosen the battery terminals. Connect the red wire of the K6 harness to the positive terminal of the battery and the black wire to the negative terminal of the battery. Tighten the battery terminals. Route the remaining harness from the bottom of the truck to the truck bed, entering the truck bed through the drain tube outlet, and connect the female end to the K7 red/black male connector.

25



Turn off the engine. Open the trim cover on the inner side of the driver's B-pillar, locate the vehicle lock signal wire, strip a section, connect the K8 harness, and wrap securely with insulation tape.

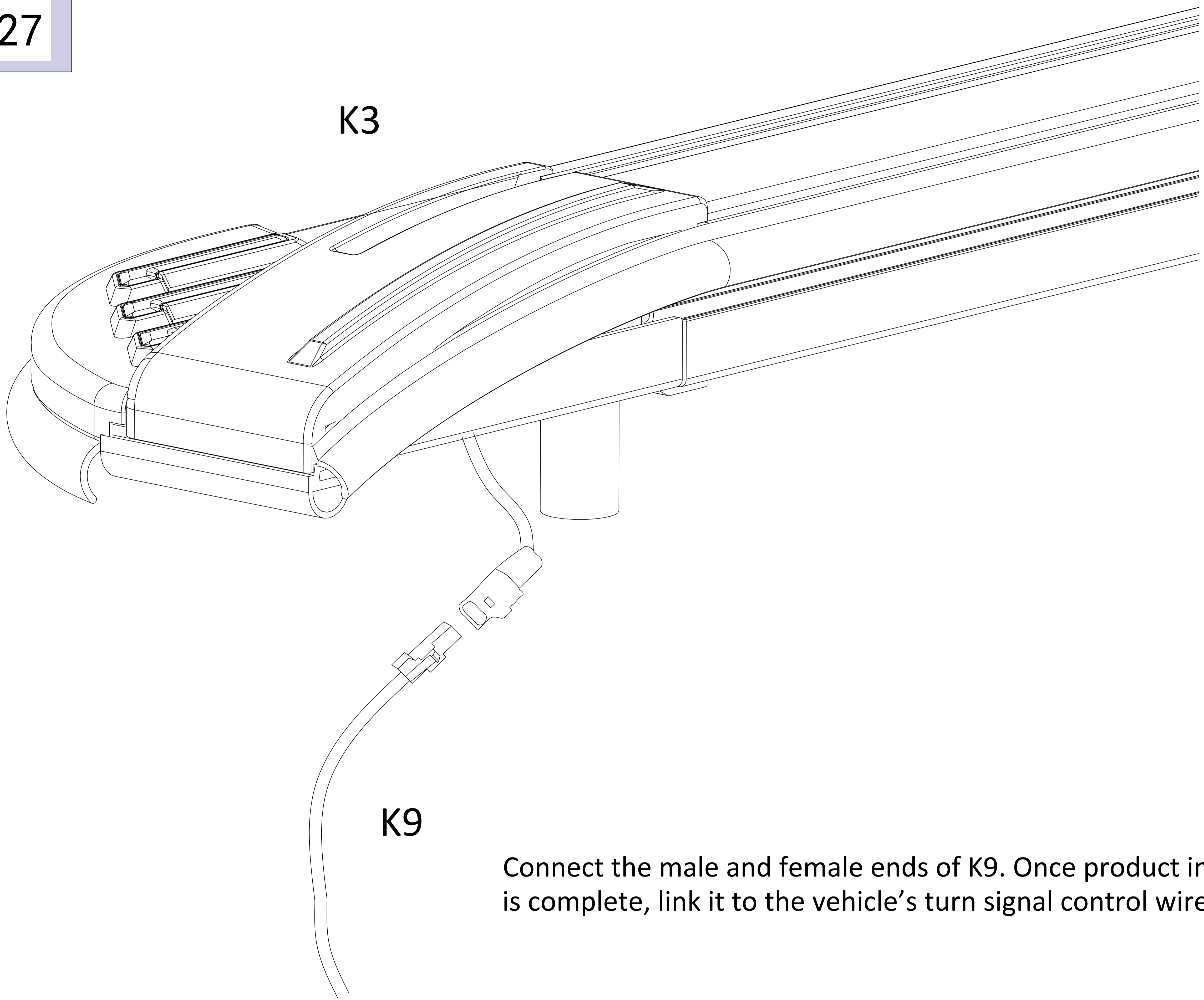
26



Ensure both ends of harness connectors A–F are securely fastened.

27

K3

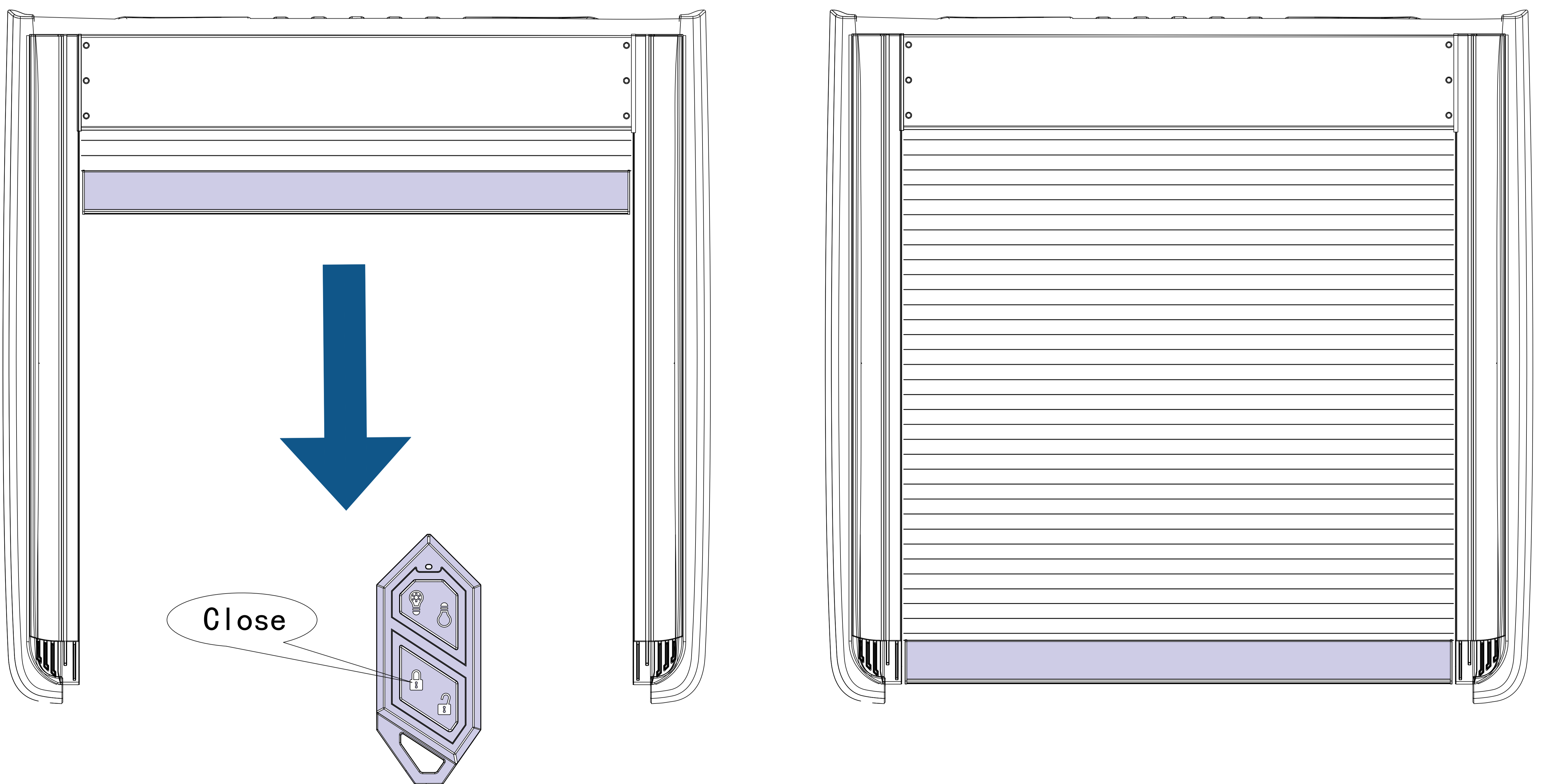


K9

Connect the male and female ends of K9. Once product installation is complete, link it to the vehicle's turn signal control wire.

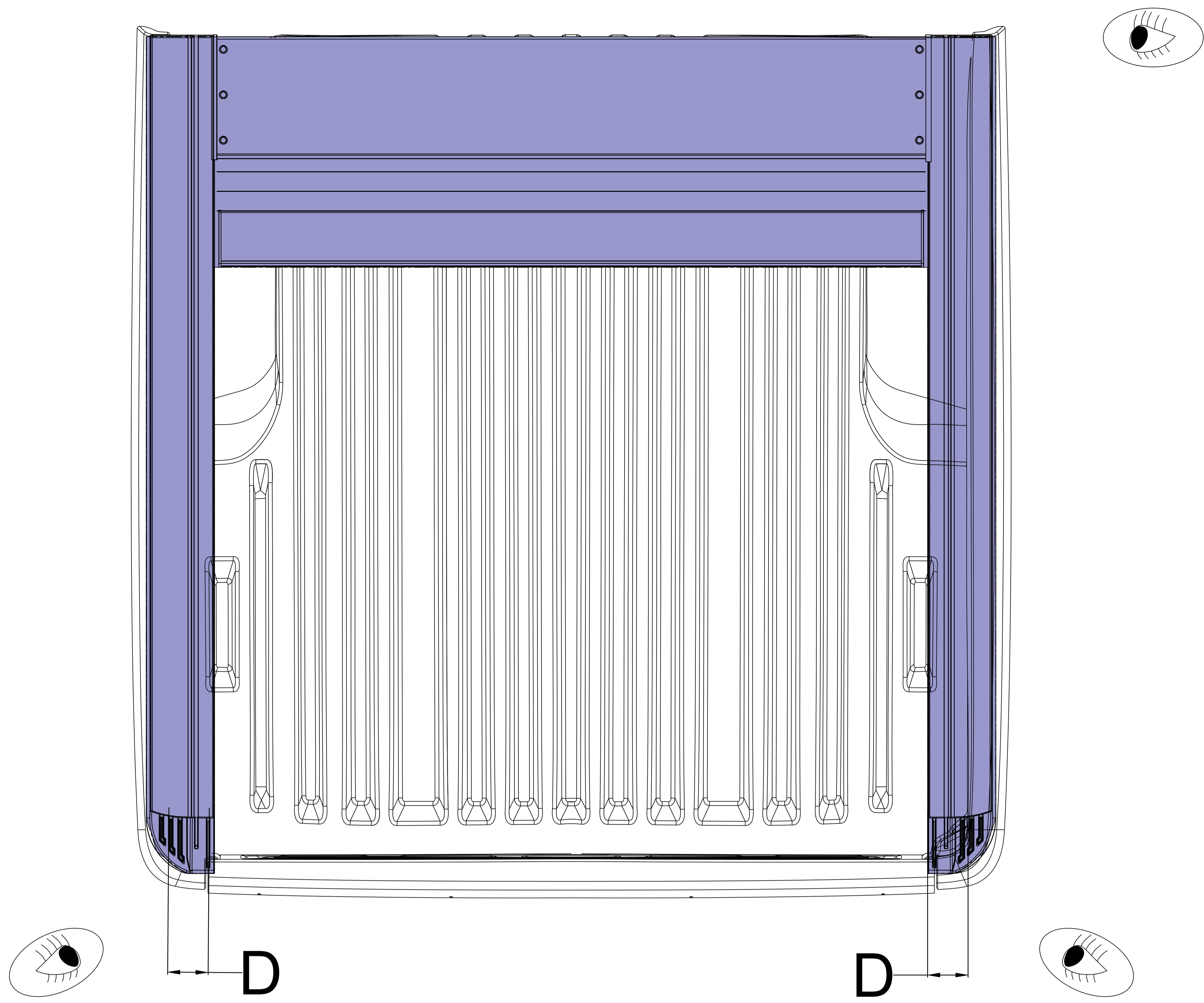
2.5、 Adjustment and Inspection

28



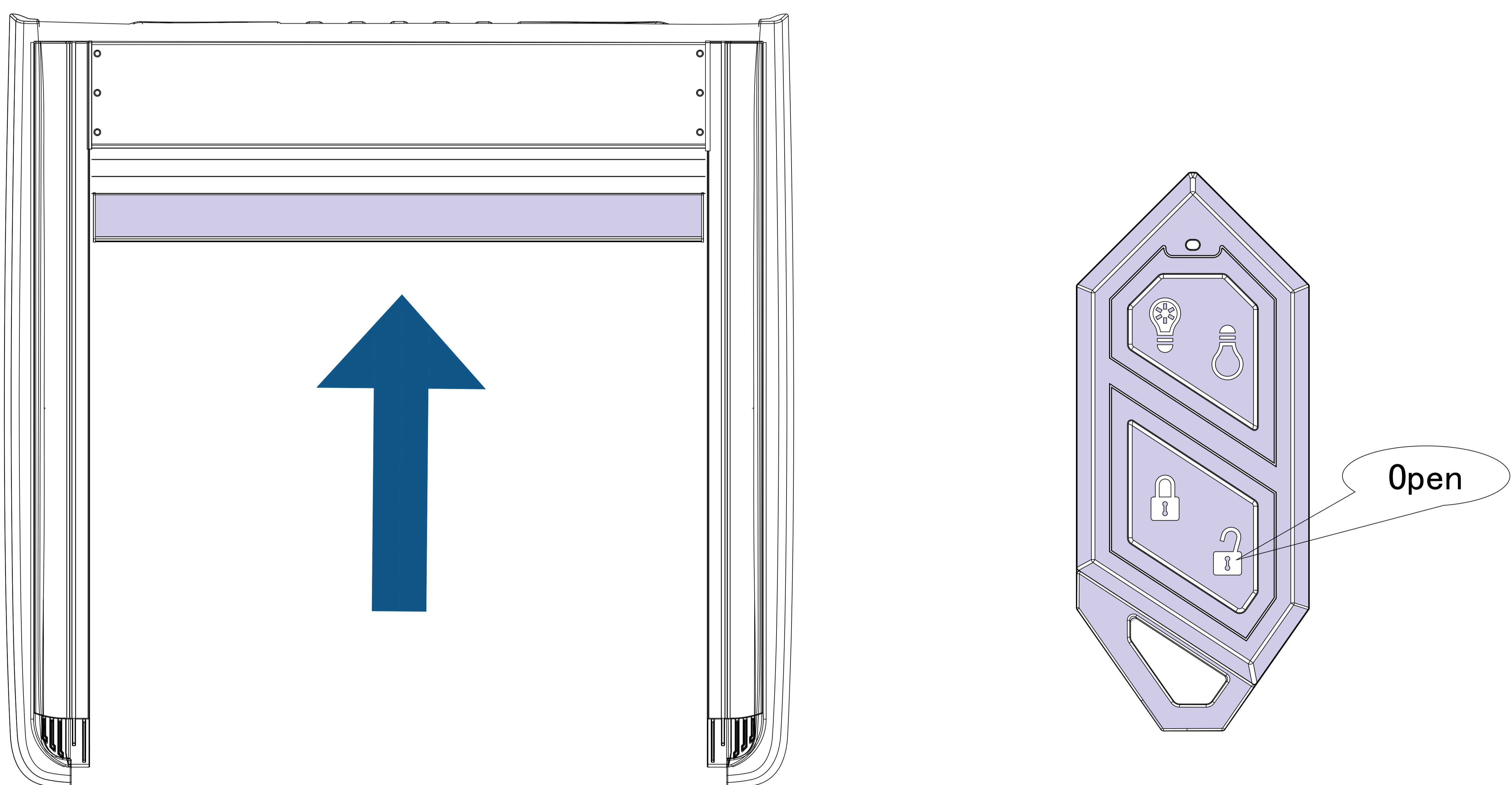
Use the remote control to close the shutter.

29



Re-adjust the installation position of the product again and adjust the product to a state perpendicular/parallel to the edges of the carriage.

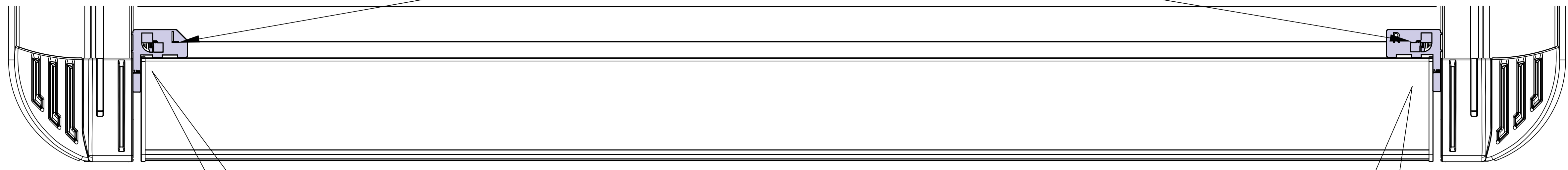
30



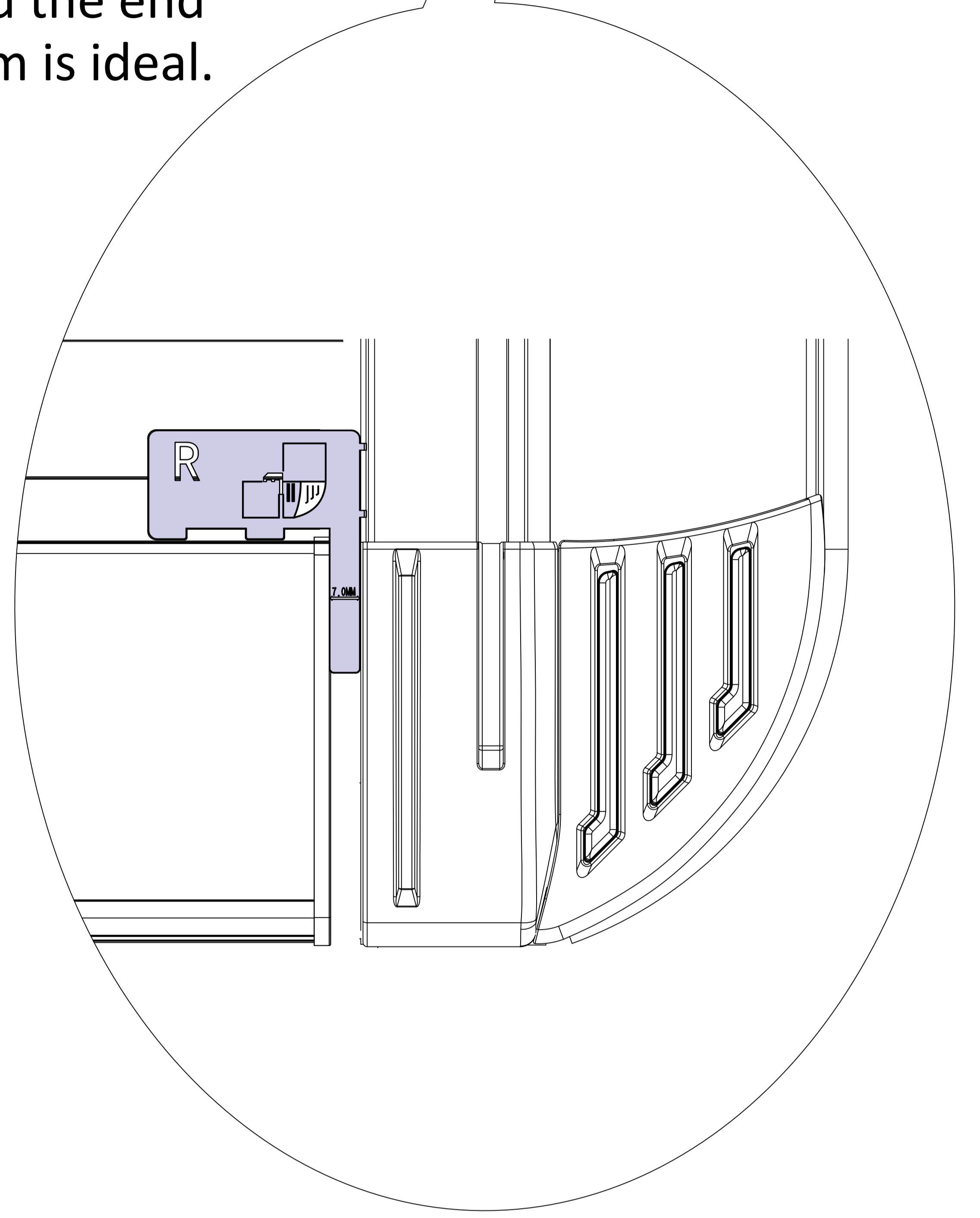
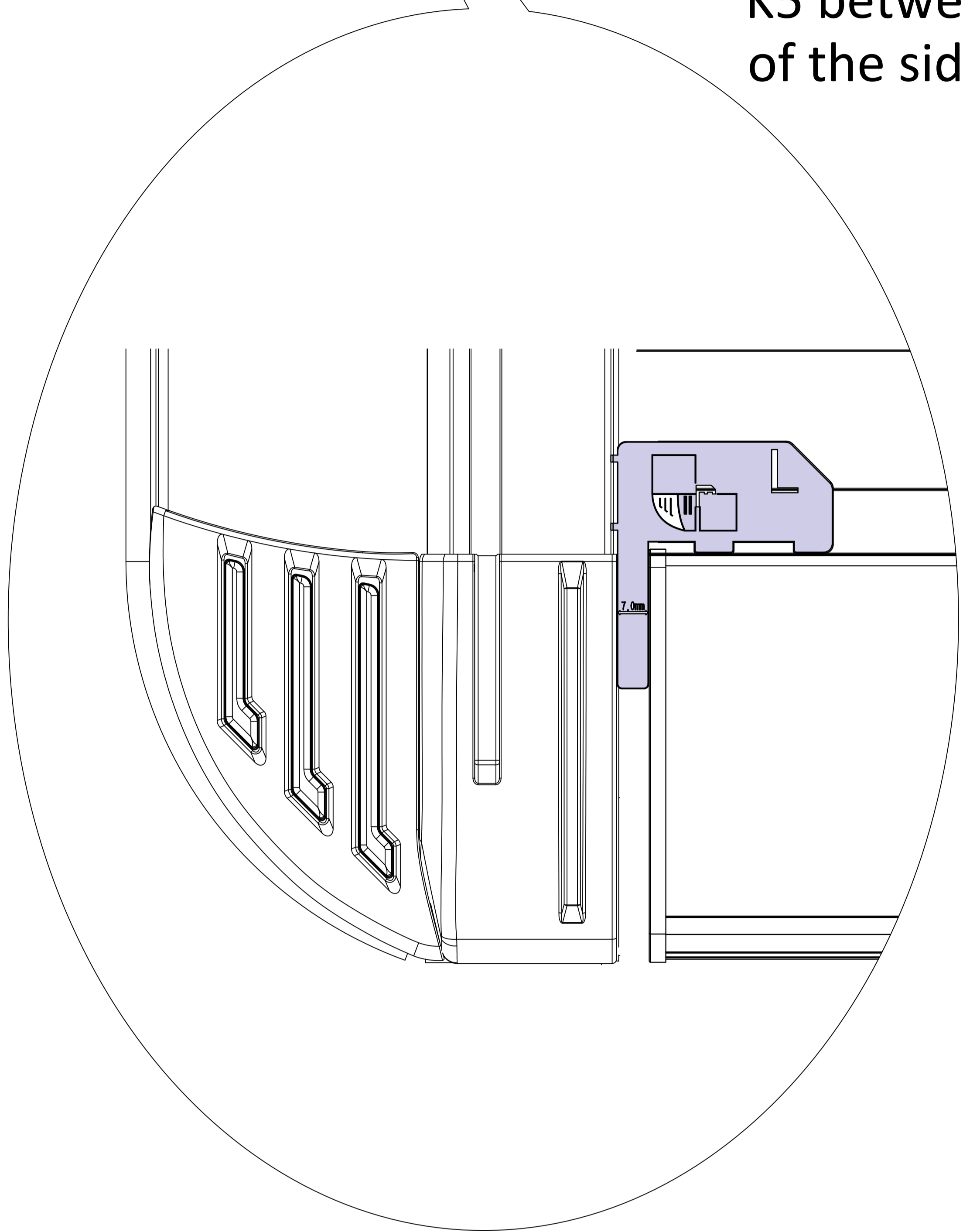
Use the remote control to open the shutter.

31

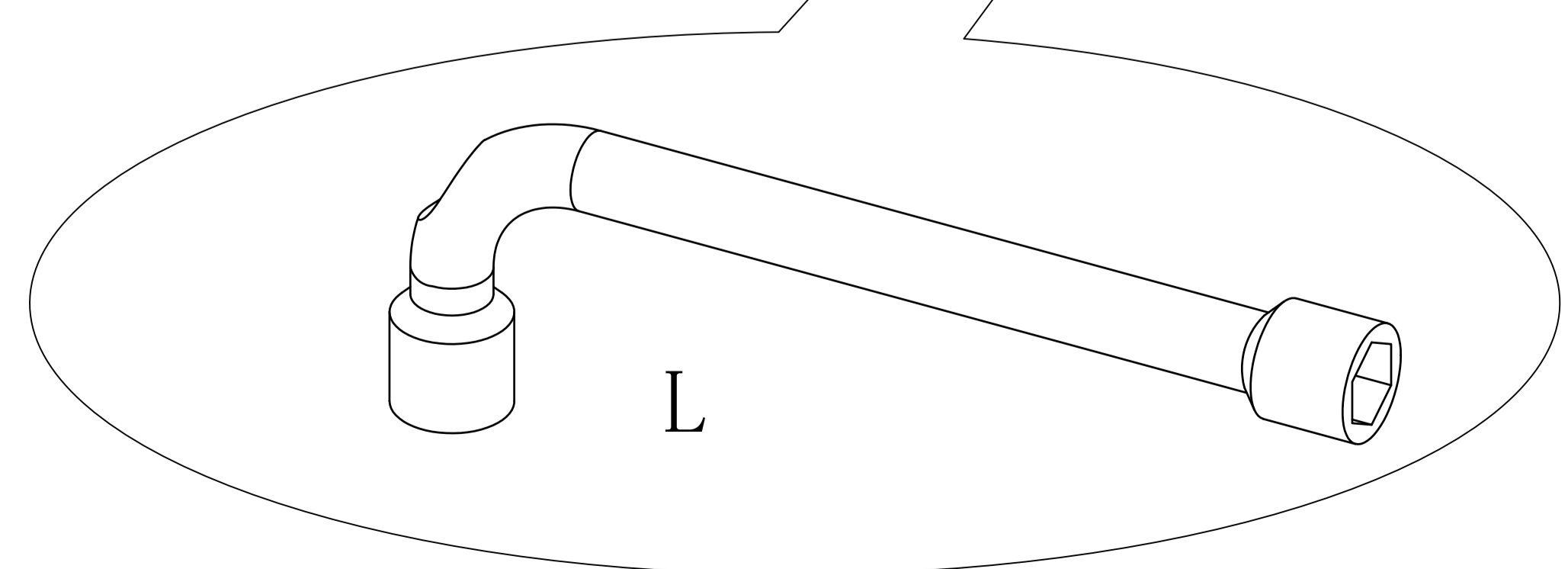
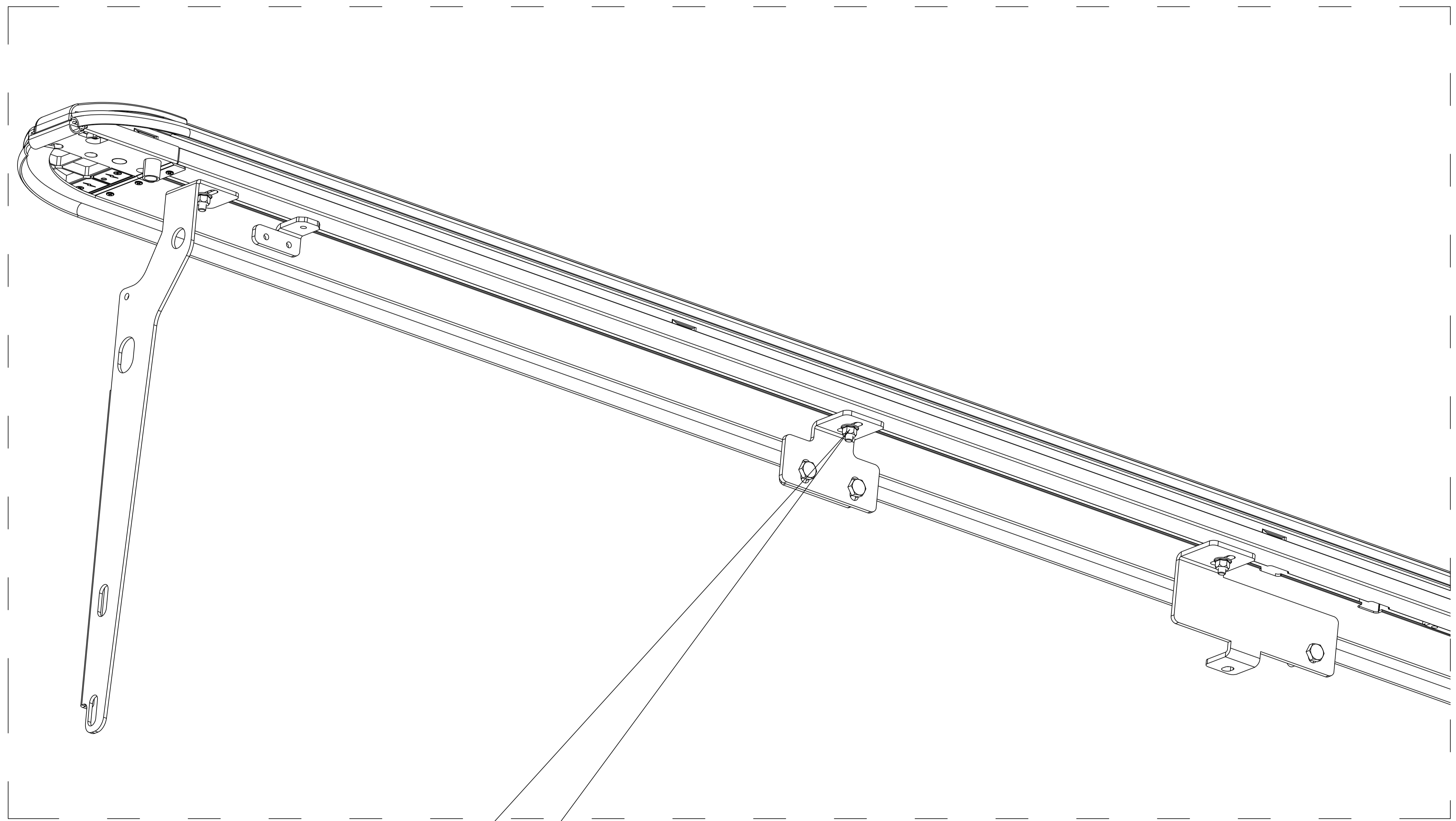
K5



Close the tonneau cover. Place gauge K5 between the rear panel and the end of the side rail. A gap of 7-9mm is ideal.

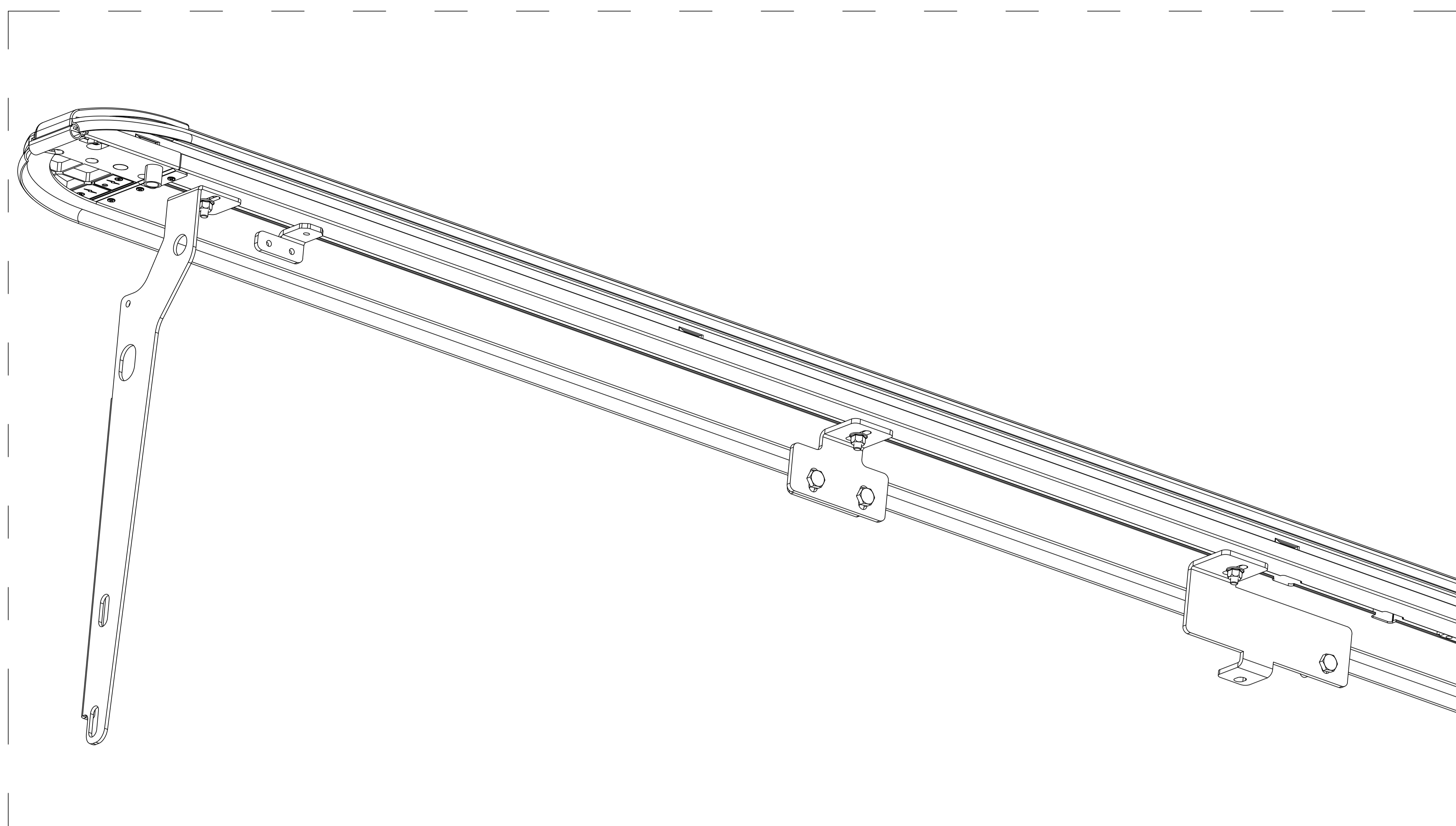


32



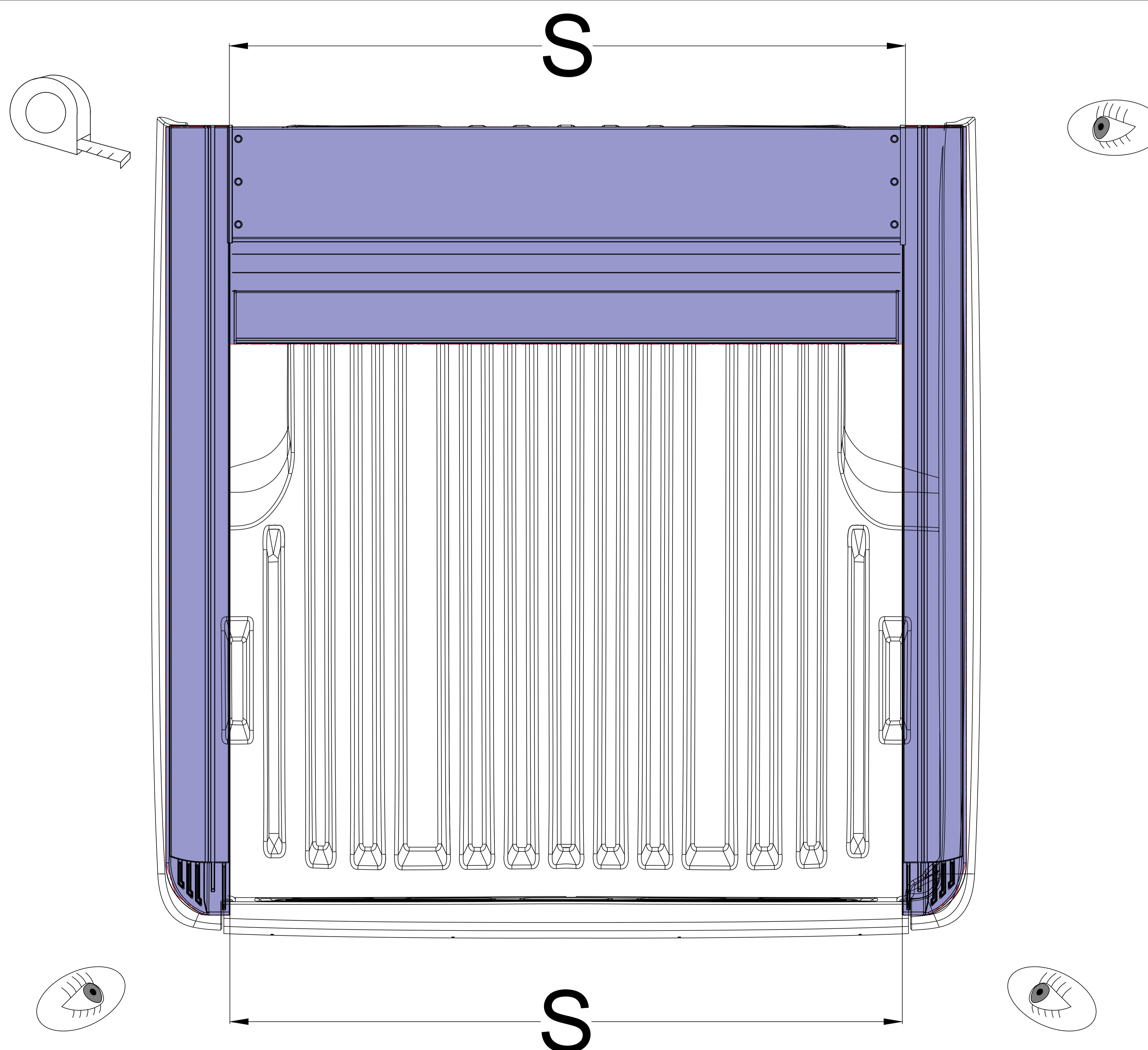
Use accessory tool L to tighten the nuts. After tightening, remove gauge K5.

33



Check that all bracket nuts are fully tightened.

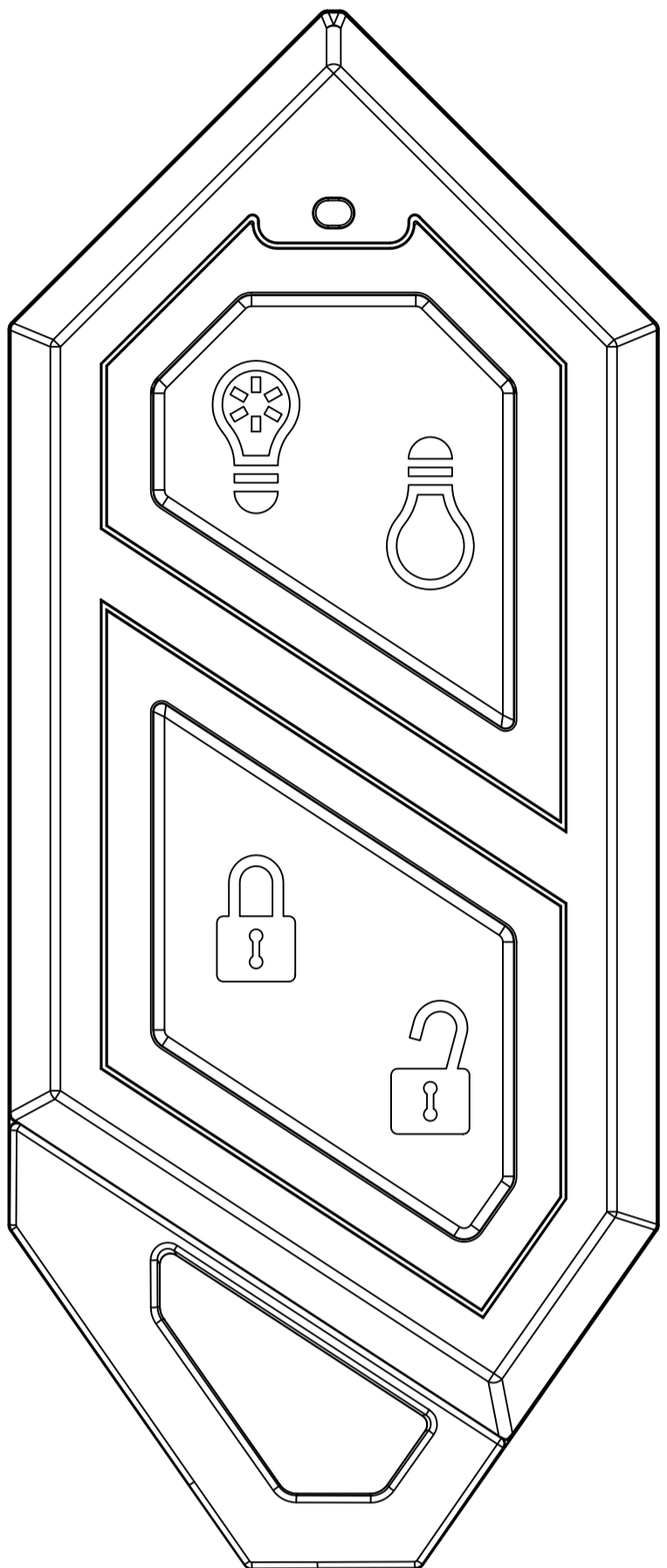
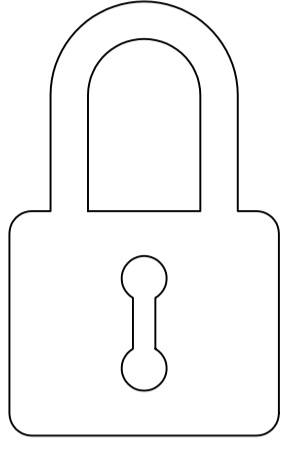
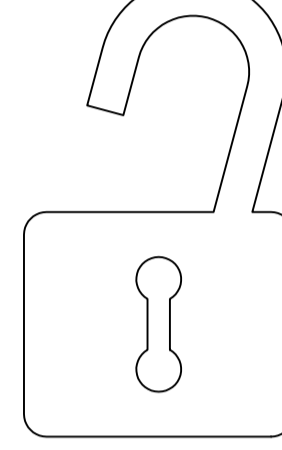
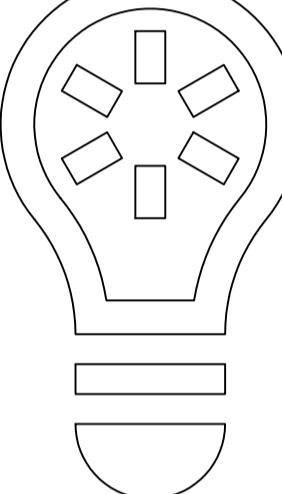
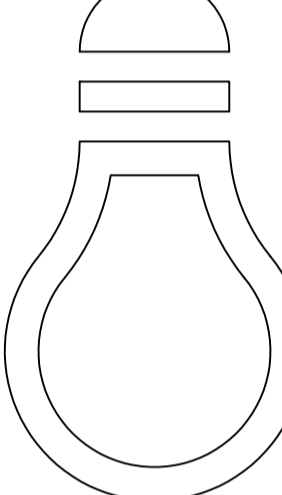
34



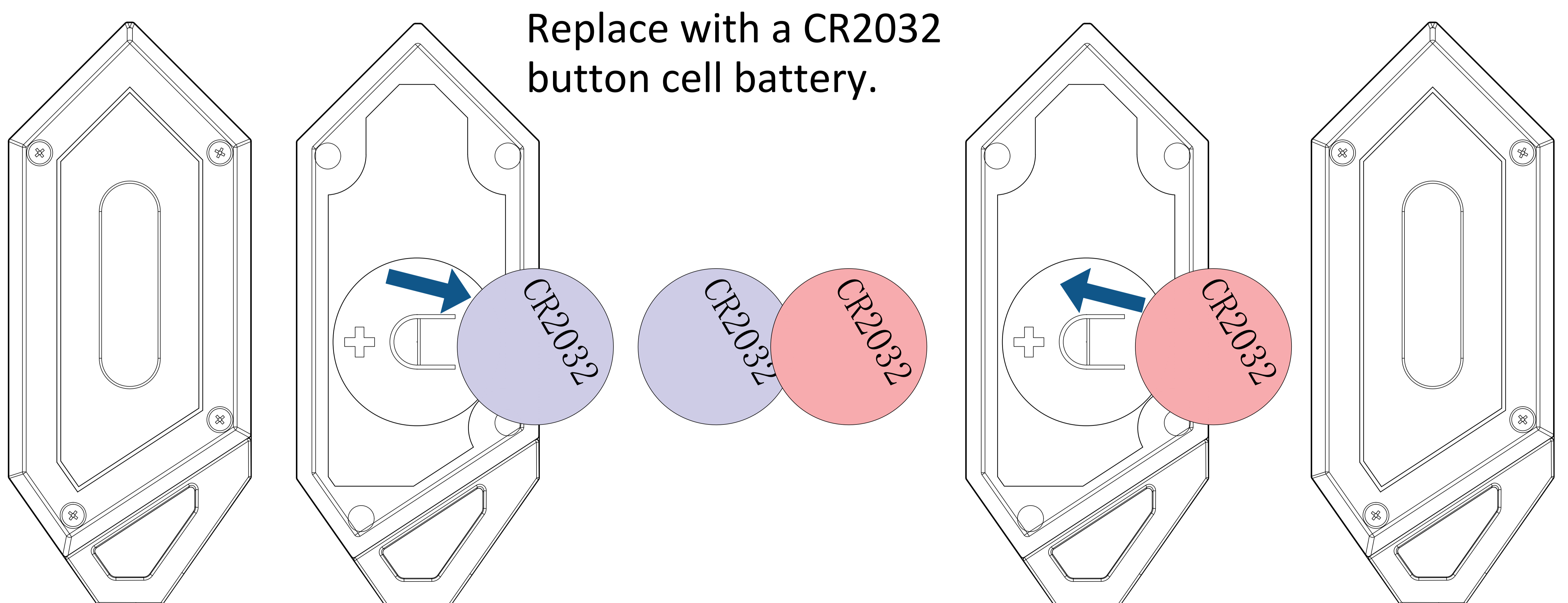
After ensuring all bolts are tightened, close the tonneau cover and check if the product is parallel. You can use a ruler to measure if the gaps at the front and rear ends of the product are consistent; a difference within 2mm is ideal.

III. Product Details

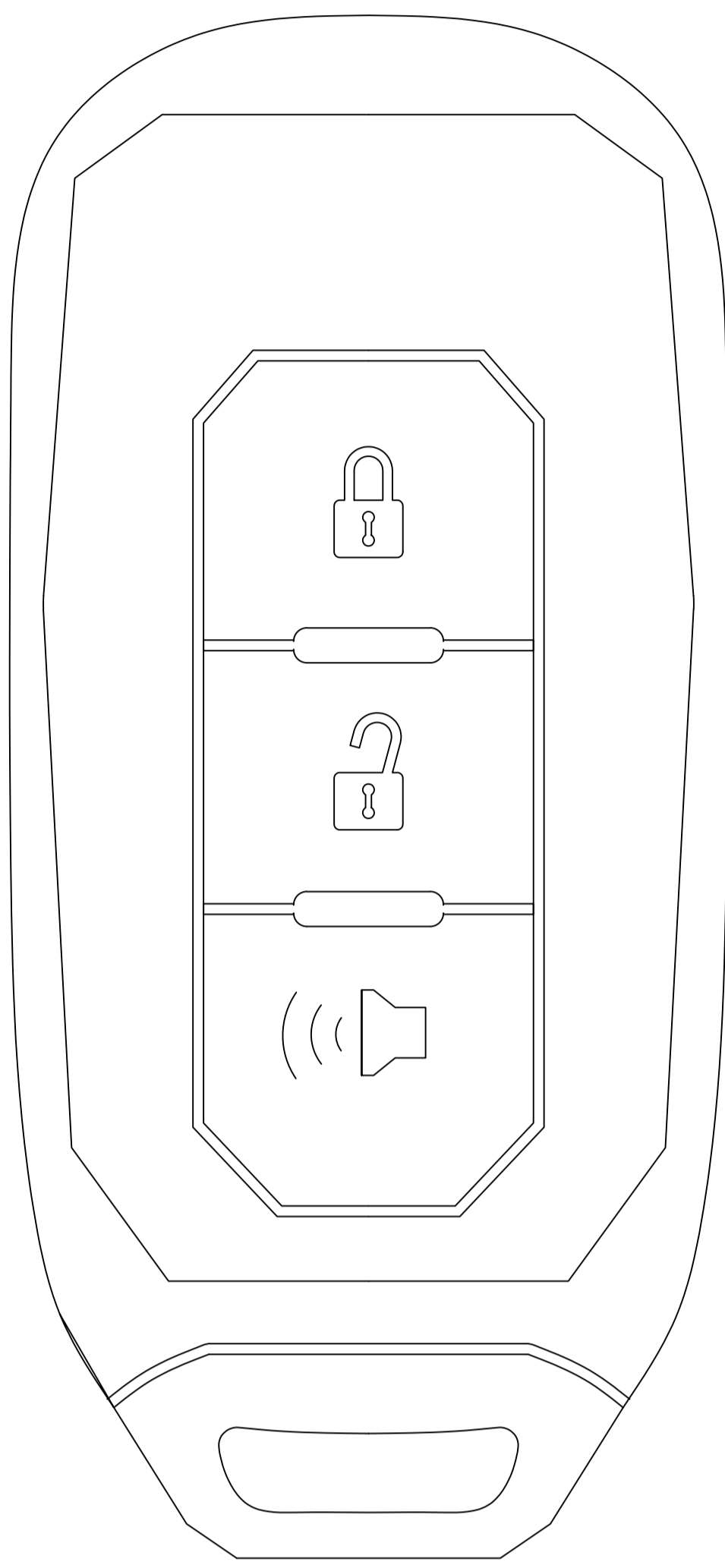
3.1. Remote Control Key

	Button	Function	Description
		Close	1. Press when shutter is stationary to close. 2. Press during operation to stop the shutter.
		Open	1. Press when shutter is stationary to open. 2. Press during operation to stop the shutter.
		Light ON	Press to turn on the truck bed light.
		Light OFF	Press to turn off the truck bed light.

Battery Replacement



3.2、 OEM Vehicle Key Control

	Command	Function
	<p>Press vehicle lock button 3 times when shutter is closed</p>	<p>Open the shutter</p>
	<p>Press vehicle lock button 3 times when shutter is open</p>	<p>Close the shutter</p>

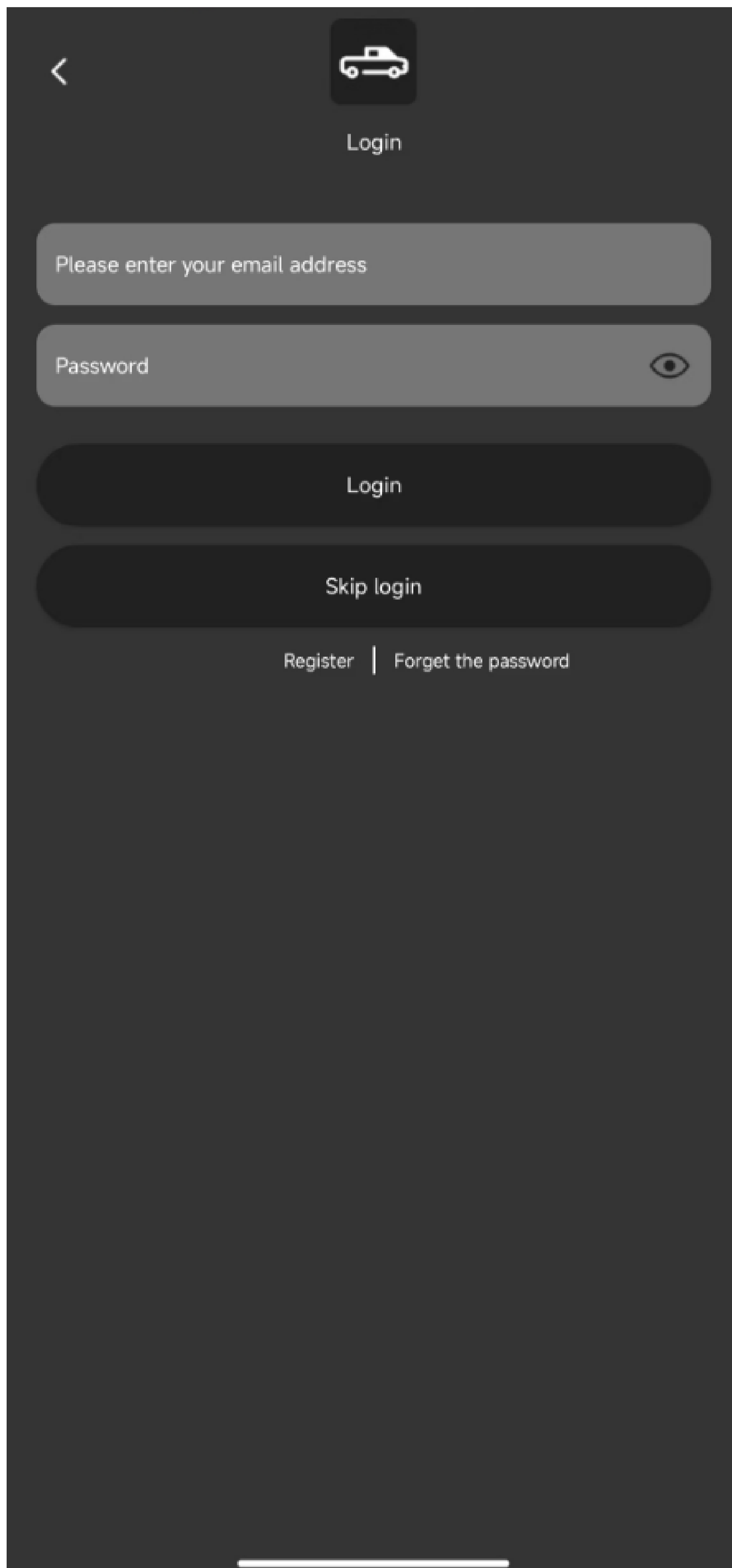
3.3、 Mini Program/APP

iOS	Android	WeChat Mini Program
<p>Search "Roller Control" in App Store</p>	<p>Search "Roller Control" in Play Store</p>	<p>Search "Roller Control" to use</p>

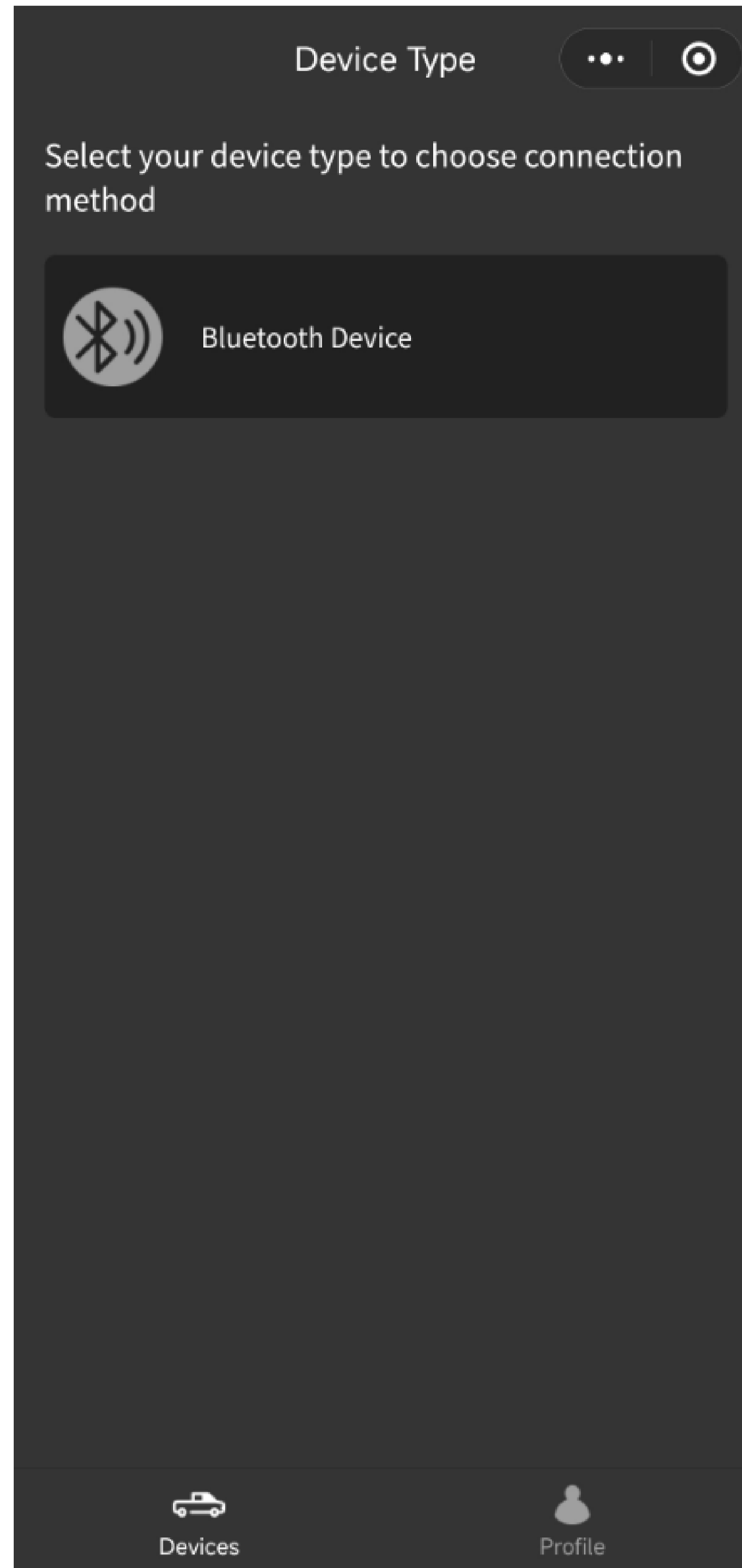
Connection Steps:

- 1. Turn on Bluetooth on your phone;**
- 2. The default password is "123456";**
- 3. Change your password after logging in;**
- 4. Users with 4G-enabled units can bind their device to the account.**

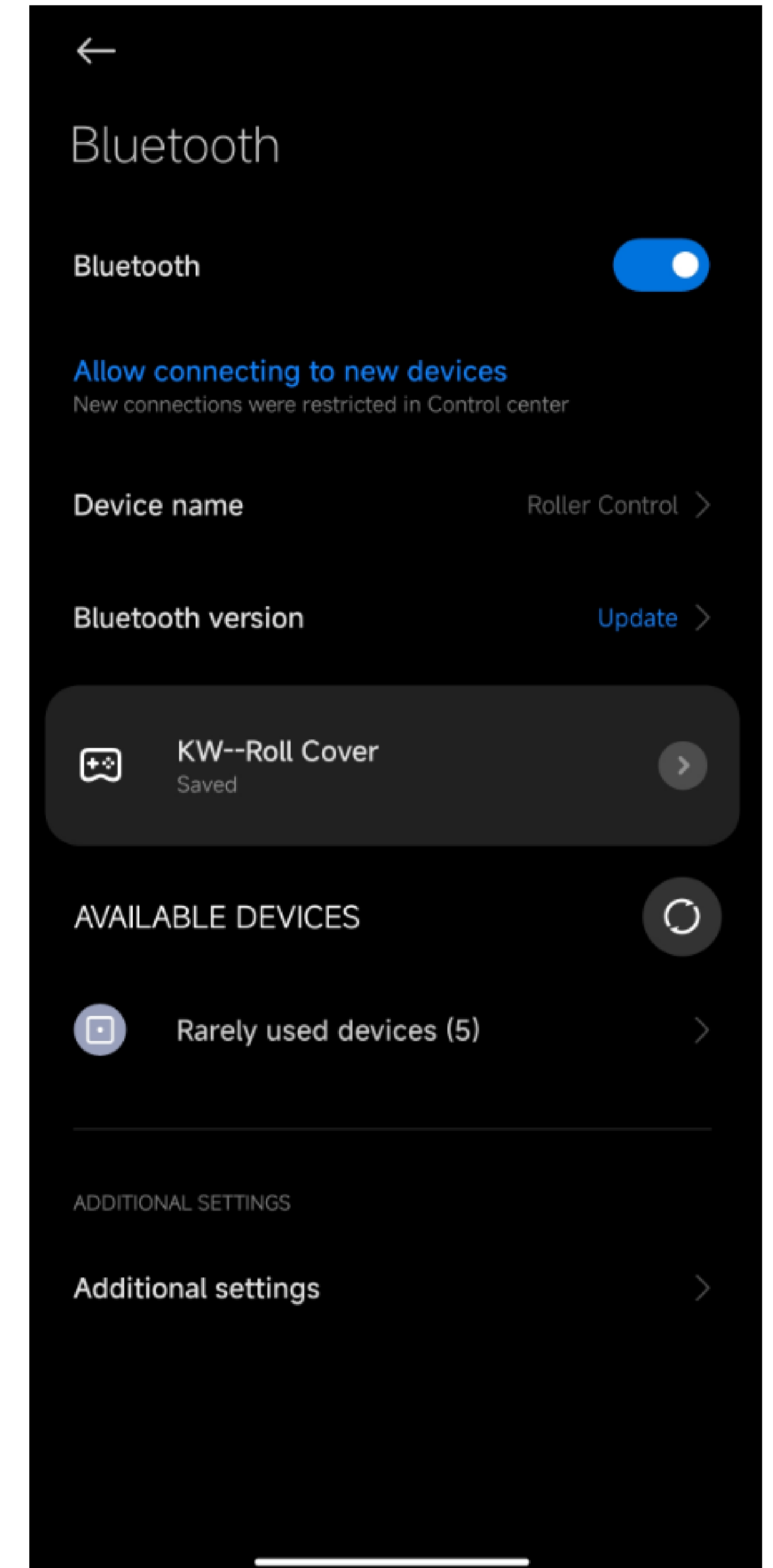
1. Users with 4G functionality can register an account; others may skip login.



2. Enter the Bluetooth pairing interface and tap "KW-Roll Cover".



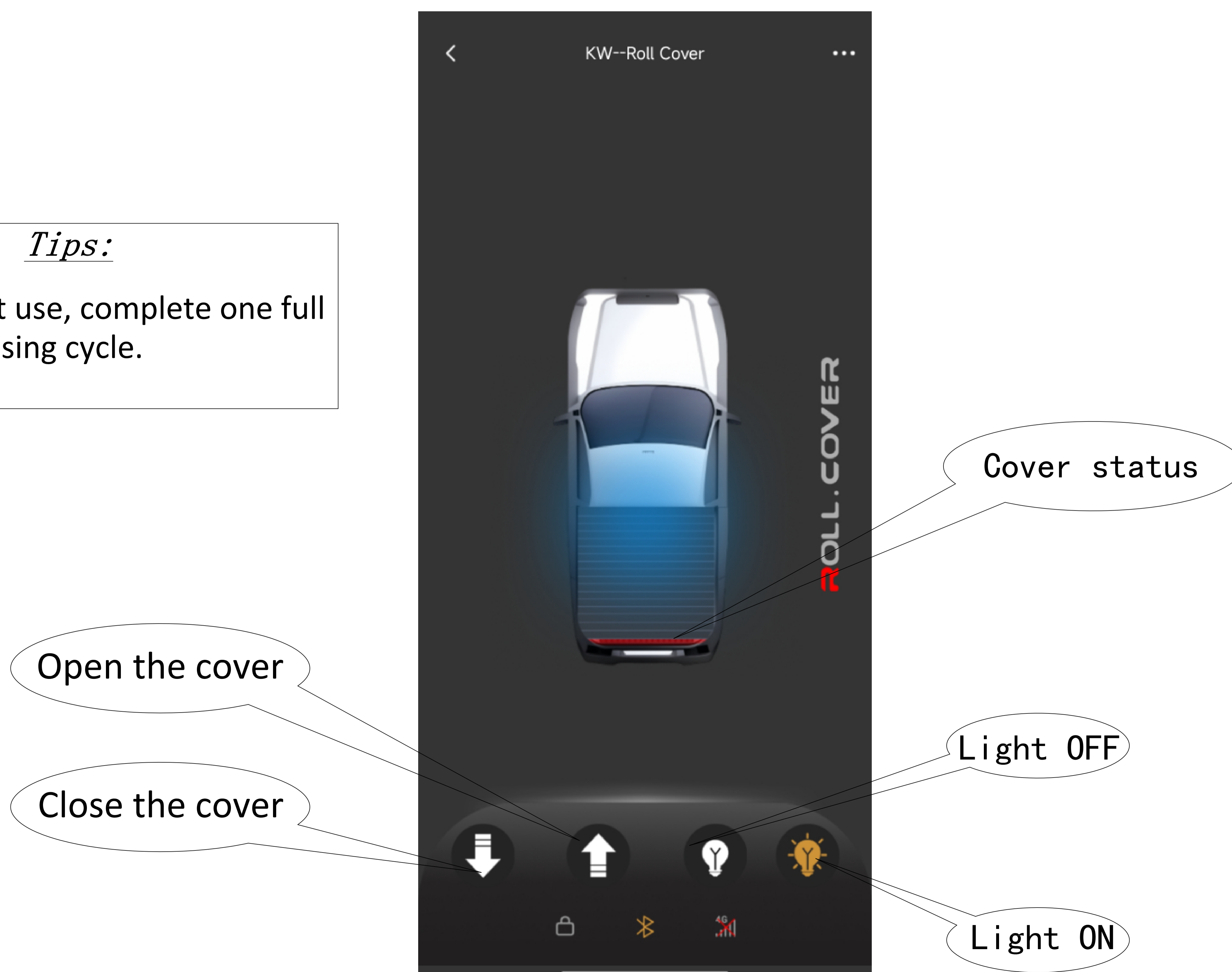
3. Enter the initial password to complete pairing.



4. A beep from the device indicates successful pairing.

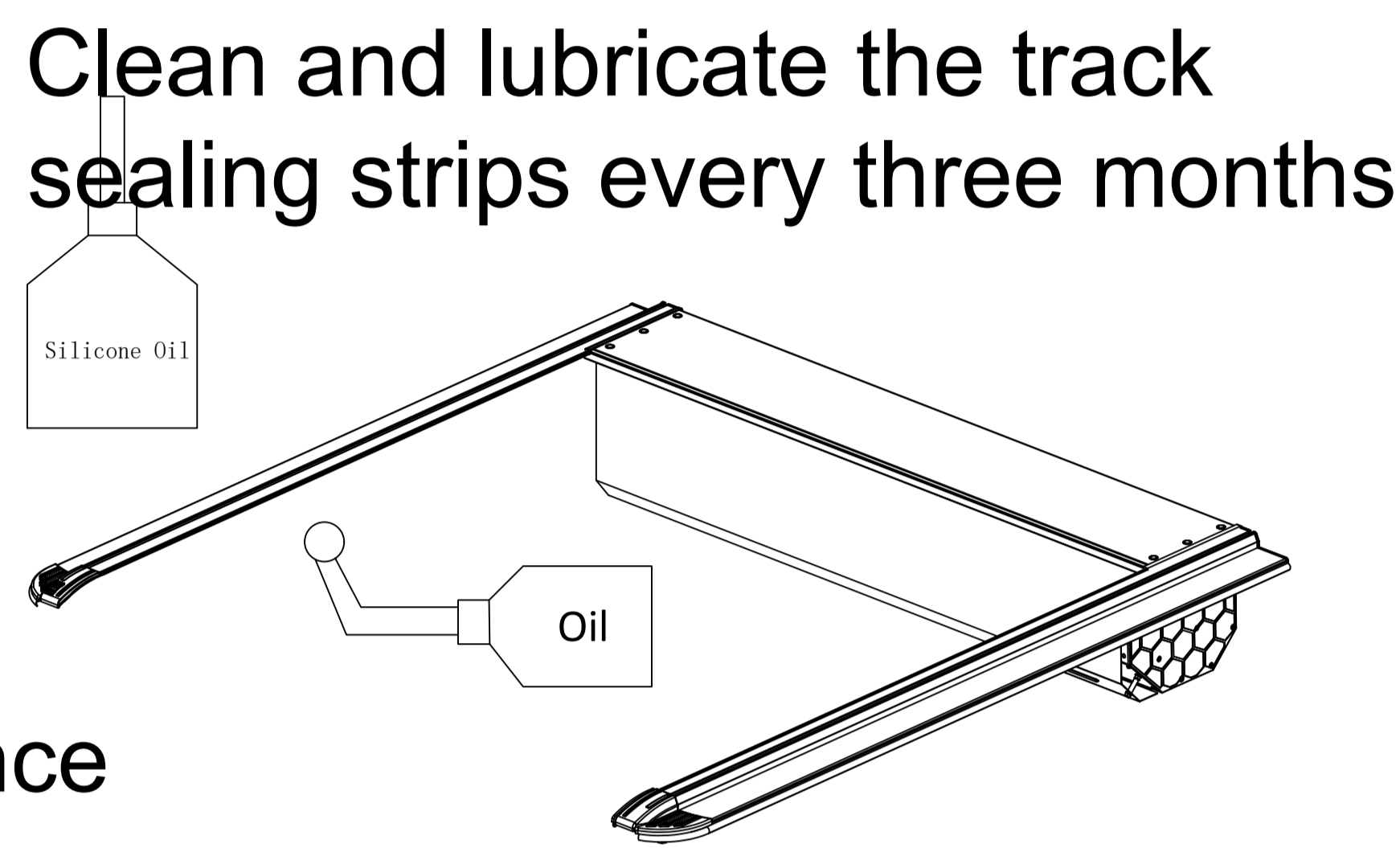
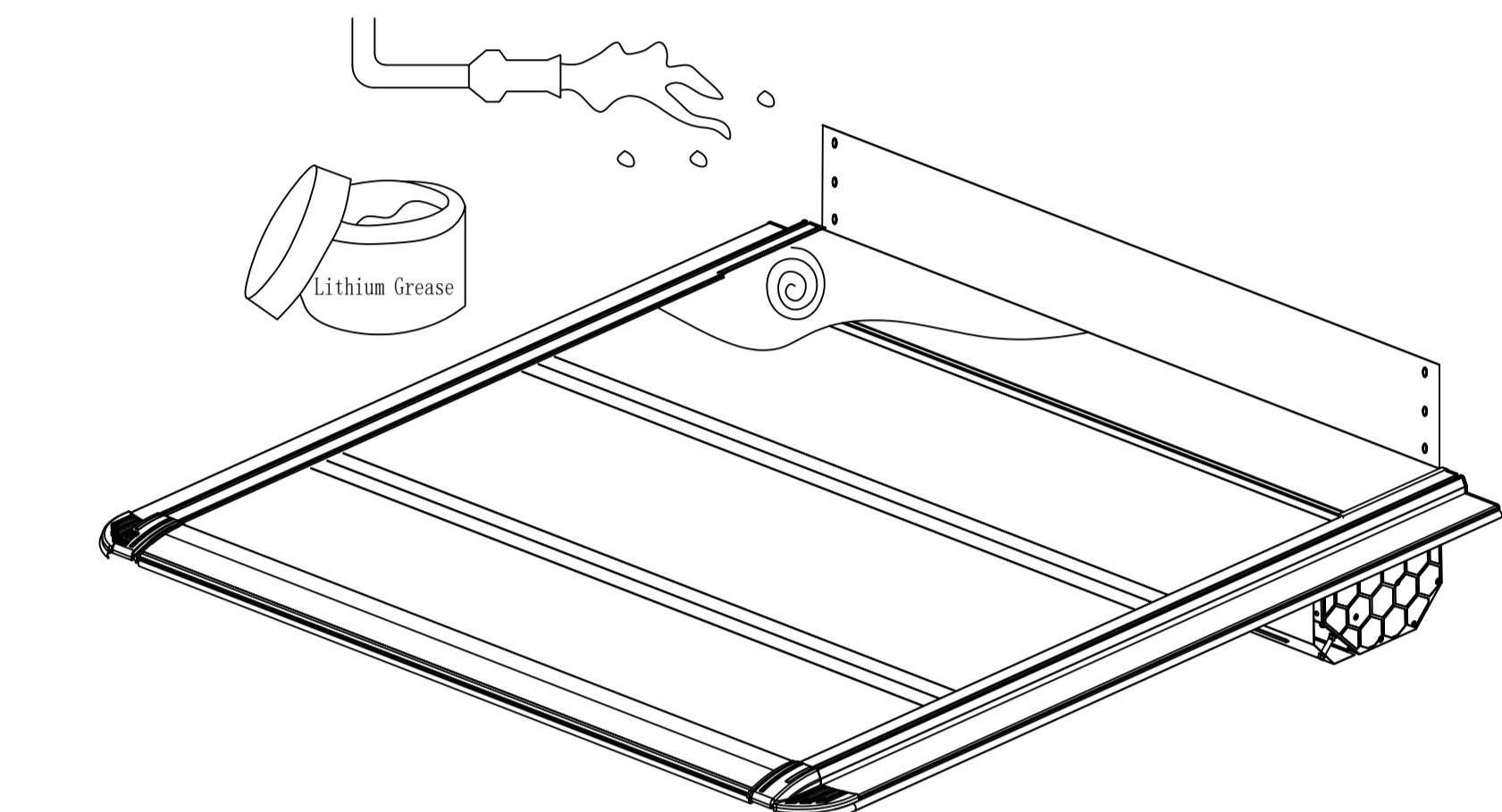
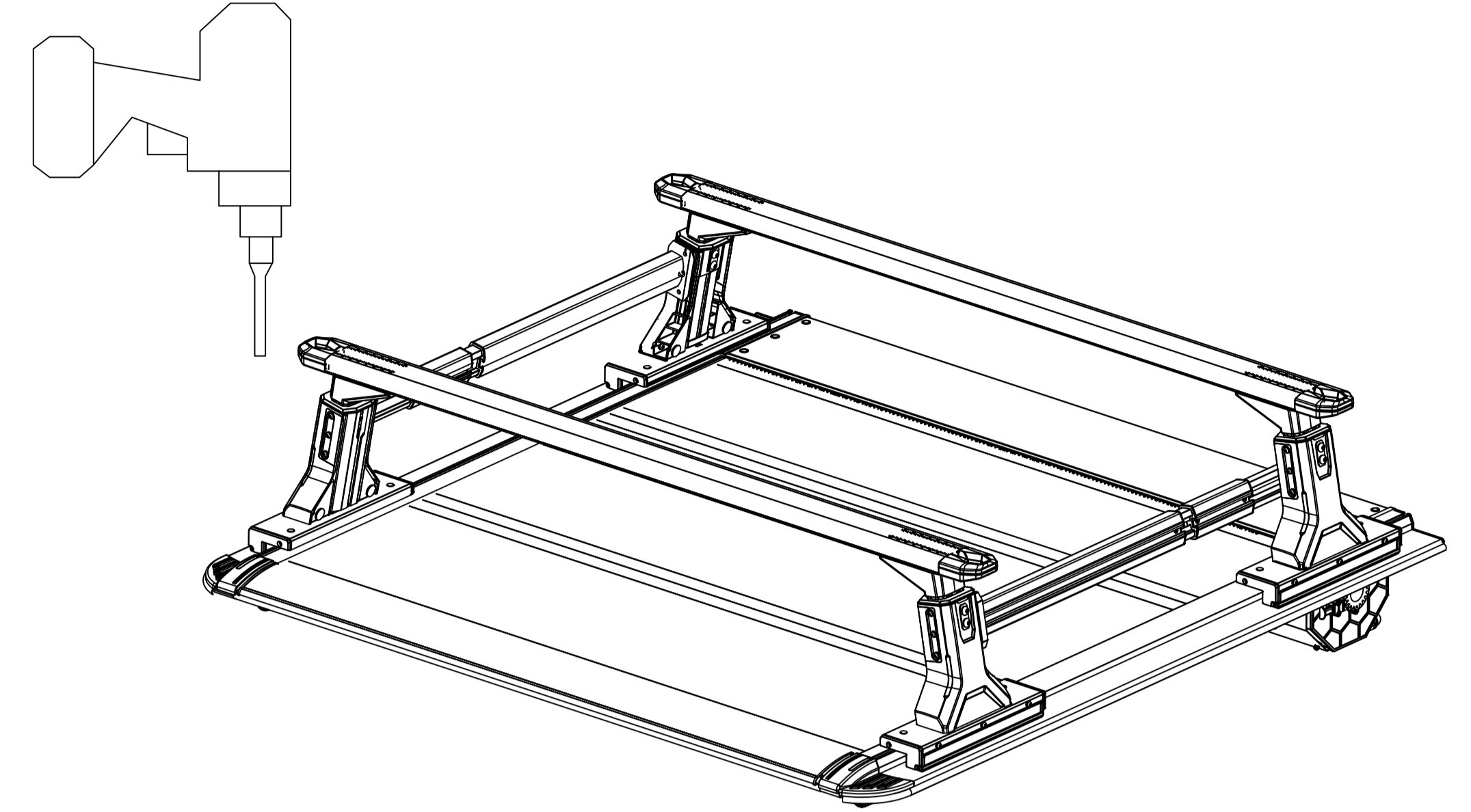
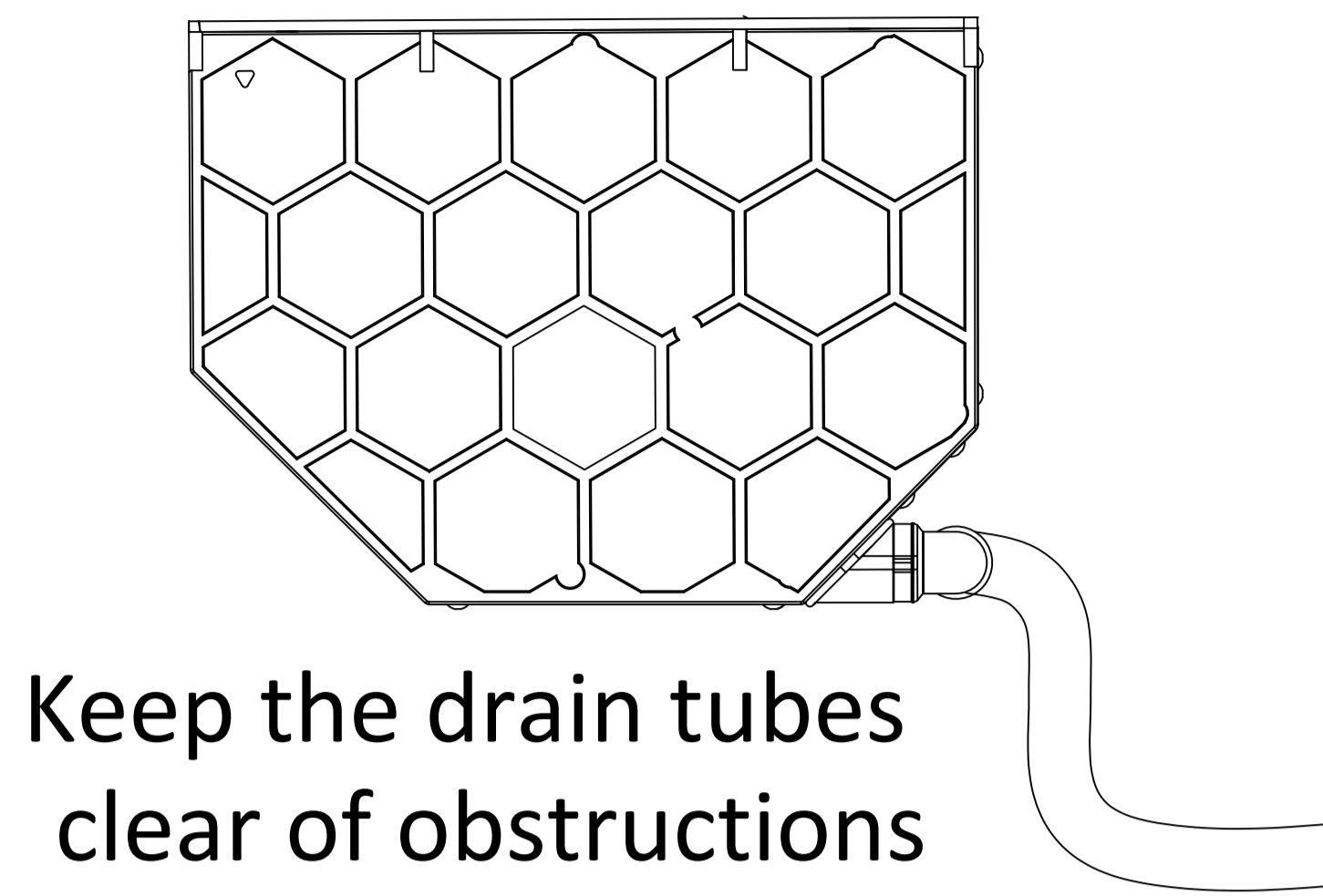
Tips:

Before first use, complete one full shutter closing cycle.



IV. Maintenance and Care

4.1、 Troubleshooting



4.2、 Common Issues and Analysis

No.	Common Issue and Analysis	Diagram	Solution
1	High rail resistance, tonneau cover operation not smooth; Rails installed in a "toe-in" or "toe-out" state; Rails sag, causing compression of the tonneau cover. Excessive gap between the tailgate end and the side rails, unstable locking.	 	<ol style="list-style-type: none"> 1. Adjust the rail installation, ensuring left and right rails are parallel and front-to-back distances are consistent. 2. Fully extend the tonneau cover and check the gap between the rear end of the rails and the rear panel end; 7-9mm is recommended. 3. Adjust the mounting brackets to ensure the rails are flush and level with the truck bed surface.
2	The remote control key is malfunctioning and not performing the correct actions.		<ol style="list-style-type: none"> 1. Check if the remote matches the product correctly; 2. Check if the roller shutter is connected normally by the rear button; 3. Observe the indicator light on the key for any noticeable dimming or non-flashing.

V. Safety Precautions

- 1.To ensure your tonneau cover operates quietly and smoothly, regularly clean and lubricate the side rails and canister. It is recommended to clean every 3 months or 6000 kilometers, or immediately after use in environments with muddy water, sand, or Gobi Desert conditions. Pay special attention to cleaning the side rails and canister, as sand, mud, gravel, and other debris may accumulate inside. After cleaning, use the lubricant we provide, or other brands of similar silicone-based lubricants, and control the frequency of lubrication based on actual conditions. Avoid using petroleum-based products on rubber seals. For regular wiping and re-lubrication, a light PTFE spray lubricant works best.
- 2.Avoid using high-viscosity greases, as they tend to become thick and accumulate a lot of dust and debris, and can easily dry and harden. Also, avoid using silicone-based dry lubricants, as they can create sharp noises between the tonneau cover slats and friction components.
- 3.Before cleaning/lubricating, ensure the tonneau cover is stopped to avoid pinching or collision injuries.
- 4.To clean the side rail tracks, apply lubricant to a cloth and wipe the inside of the tracks along the top of the side rail slides and wear strips. Repeat this step until the dust is removed. If necessary, you can also use a high-pressure washer for cleaning. After cleaning, ensure all components are lubricated. Do not direct a high-pressure washer at the wiring harness during cleaning, and provide necessary waterproofing protection for the connector plugs.
- 5.To clean the inside of the canister, remove the side rails and cover plate as needed, and pull the tonneau cover slats out far enough to access the canister. Apply lubricant to a cloth and wipe the spiral discs and all components inside the canister. Ensure the drain tubes are free of any debris or obstructions. Reinstall the cover plate and side rails.
- 6.To keep the product in optimal condition, we recommend washing it in the same manner as your truck's surface. Lack of necessary cleaning and maintenance may affect product operation and shorten its lifespan.
- 7.Replace the CR2032 battery in the remote control if the indicator light dims or becomes unresponsive.
- 8.Avoid driving with the tailgate partially open.
- 9.Before opening the tonneau cover, ensure there are no foreign objects on top of it, including snow and water.
- 10.Do not tow the vehicle or the tonneau cover from the rear when the tonneau cover is installed on the truck.
- 11.Do not operate the vehicle with objects on top of the tonneau cover.

Failure to comply with these precautions may result in severe damage and void your warranty!