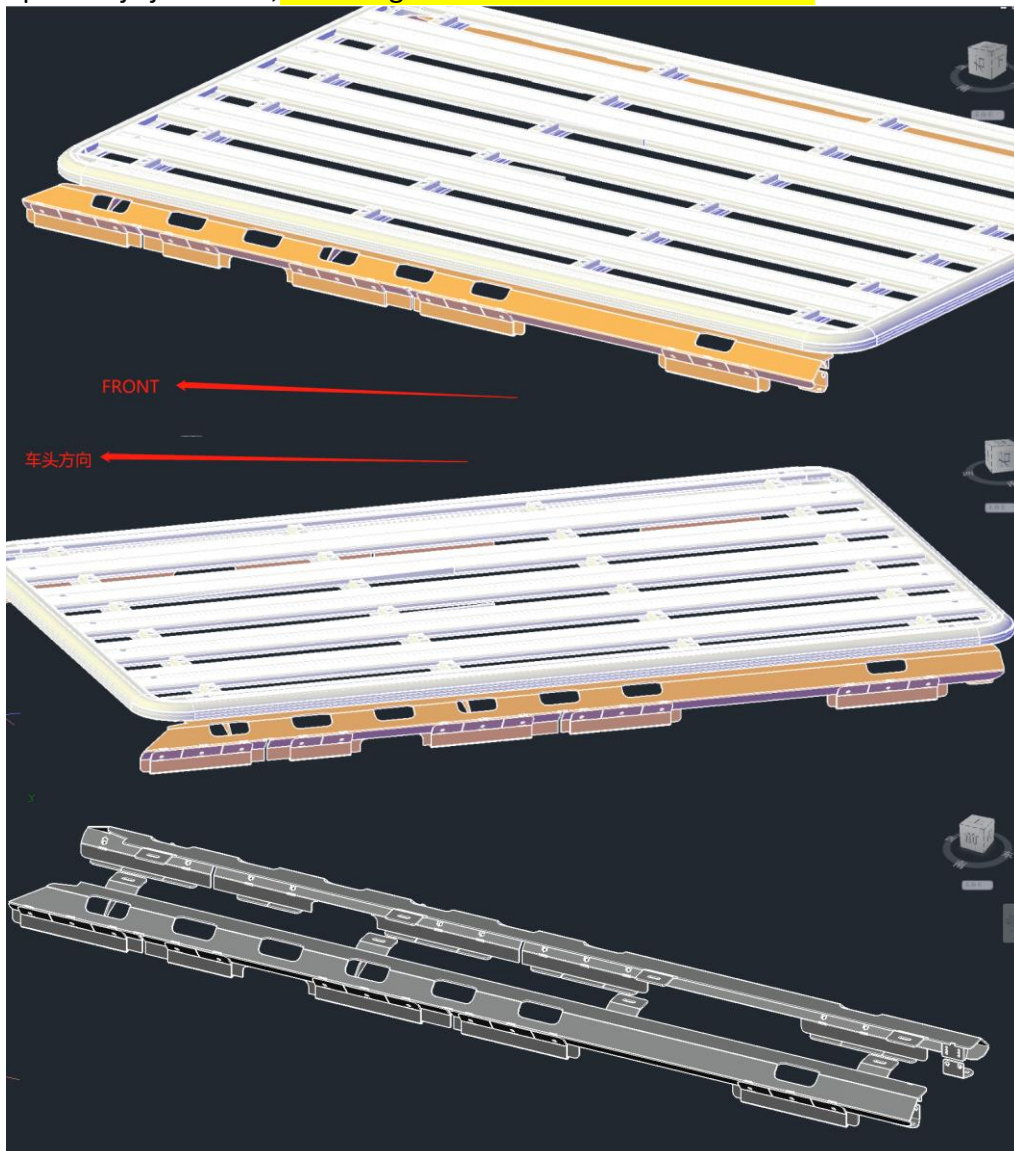


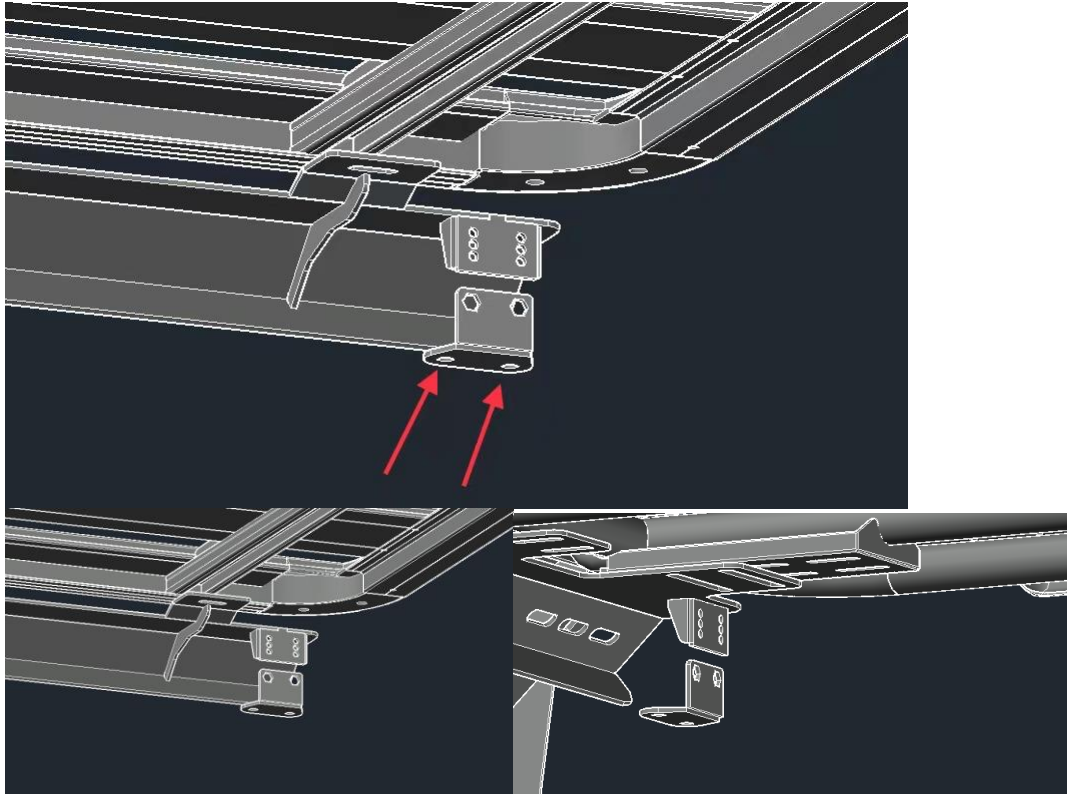
original jk bracket



updated jk jl bracket, including extra bracket on the rear for JL



same installation at the rear. No need to screw into the plastic roof



just sit on the roof, with rubber padding



both jk and jl do not have holes at the rear, it's plastic roof

JK



JL has rain gutter channel on the rear

