

Installation Instruction

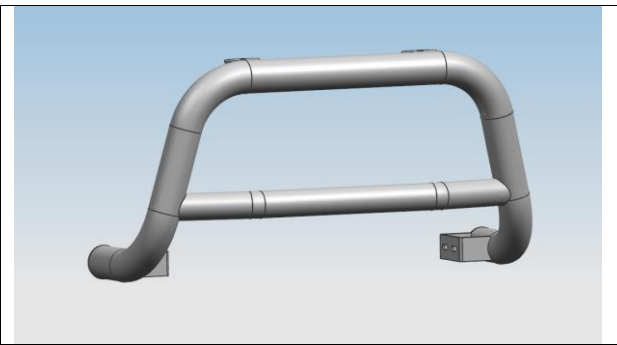
PART# : WN-BYD-NBAR-SS-B

DESCRIPTION : NUDGE BAR FOR SHARK 6

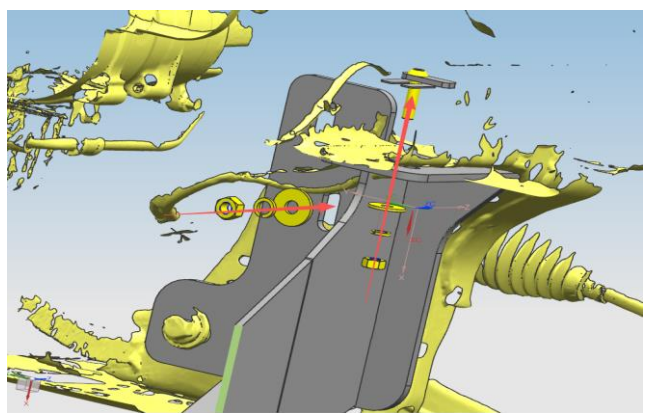
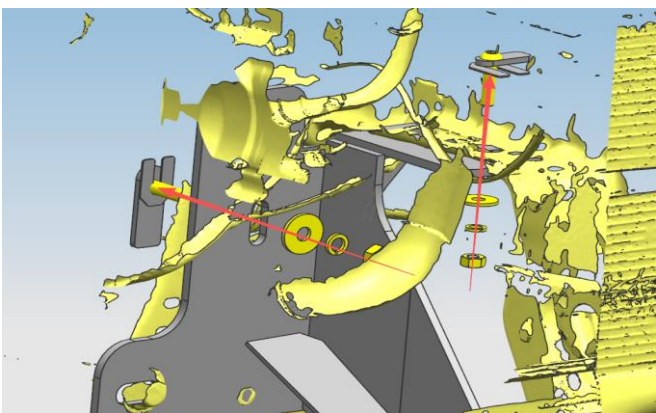
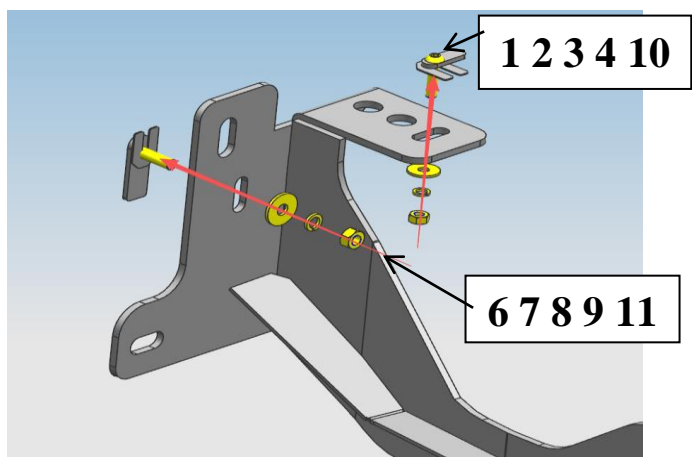
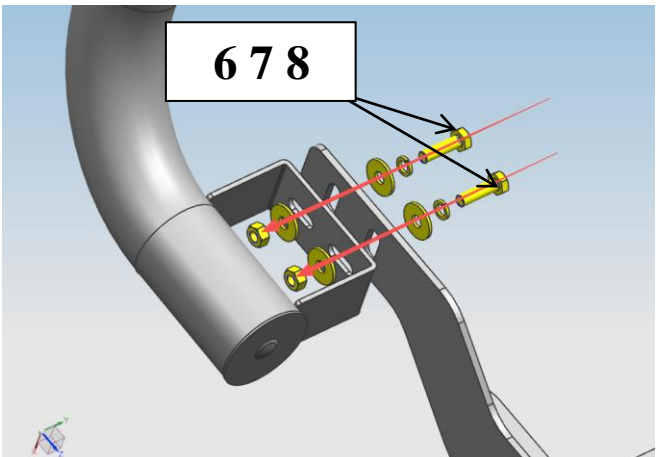
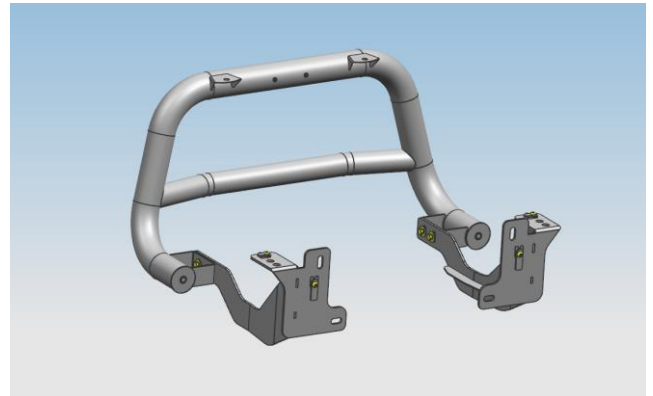
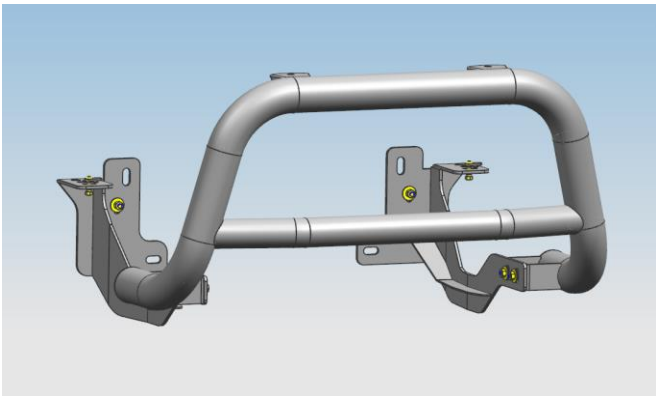
- Thank you very much for choosing our products.
- Please read the installation instruction carefully before using our product and be sure to fully understand the contents mentioned above for subsequent installation.
- In addition, please keep properly the installation instruction for product maintenance in future.

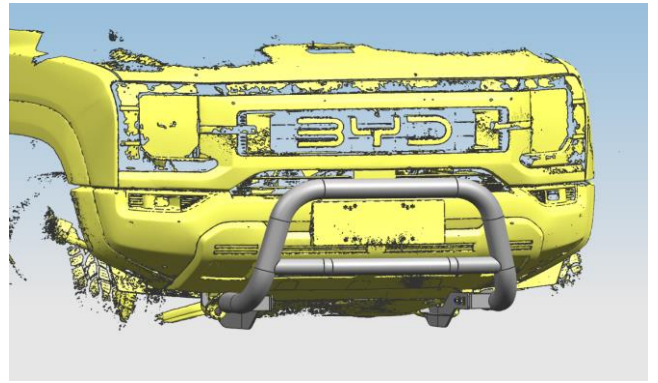
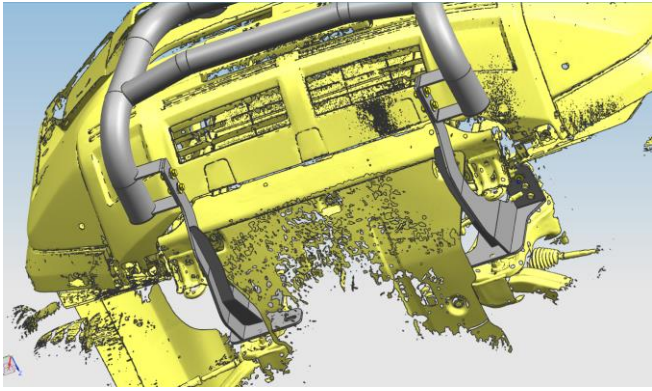
PART LIST:

No.	DESCRIPTION	QTY	SIZE	PIC
1	M8 T-Bolt	2	M8x35-B	
2	M8 Nut	2	M8	
3	M8 Lock Washer	2	D8	
4	M8 Flat Washer	2	D8	
5	M10 T-Bolt	2	M10x35-B	
6	M10 Hex Nut	6	M10	
7	M10 Lock Wahser	6	D10	
8	M10 Flat Washer	10	D10	
9	M10 Hex Bolt	4	M10*35	
10	M8 U Plate	2	M8	
11	M10 U Plate	2	M10	
12	Left Frame Mounting Bracket	1		
13	Right Frame Mounting Bracket	1		

14	Nudge Bar	1		
----	-----------	---	--	---

• **PROCEDURE: REMOVE CONTENTS FROM BOX AND VERIFY ALL PARTS ARE PRESENT. READ INSTRUCTIONS CAREFULLY.**





- **Do periodic inspections to the installation to make sure that all hardware is secure and tight.**