
Installation Instruction for R5 Electric Roller Shutter

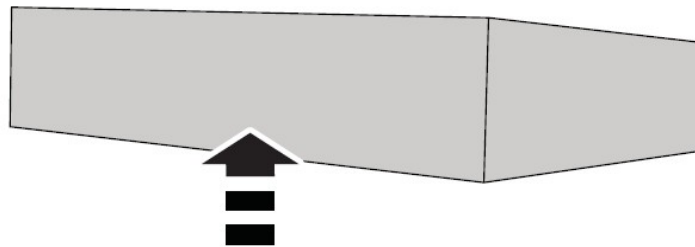


NOTICE:

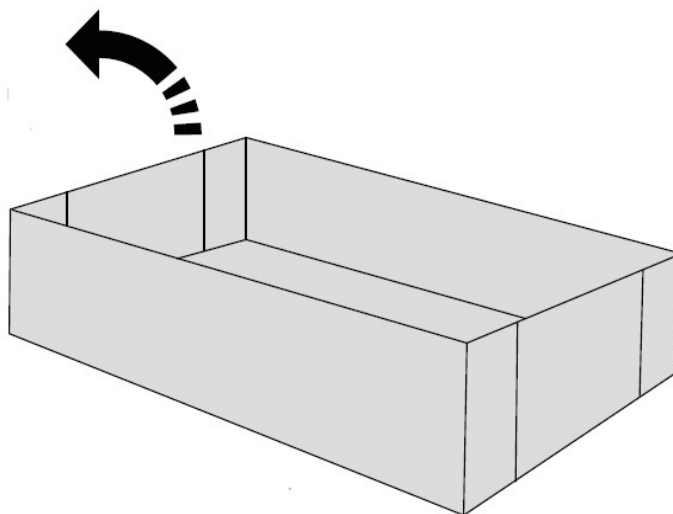
·Please read the instruction completely for easy installation, which will also help you to avoid scratches or other potential damages to your appealing car.

·Please periodically check and retighten all the hardware and clean the investment for a refresh look.

·The figures here are for reference only and may have differences with the actual product you received, however they share the same assembly way.

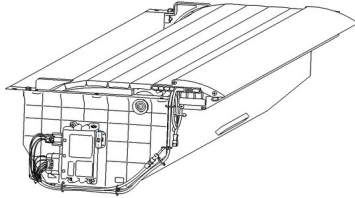


配件箱
Fitting kit



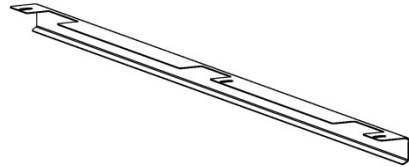
KIT CONTENTS - COMPONENT NUMBER AND QUANTITY

1



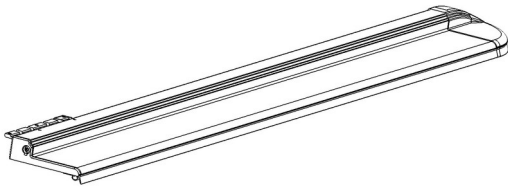
CANISTER ASM. QTY:1

2



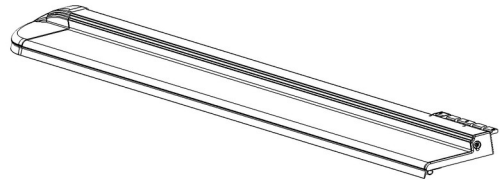
WIRE HARNESS BOARD QTY: 2

3



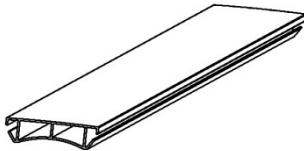
SIDE RAIL (L) QTY:1

4



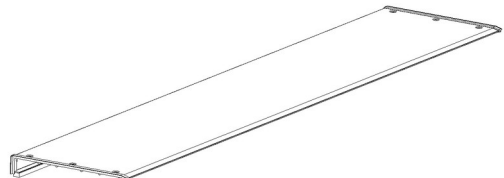
SIDE RAIL (R) QTY:1

5



ALU STANDARD BAR QTY: 1

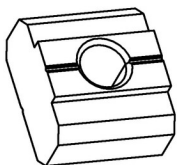
6



COVER PLATE QTY: 1

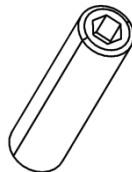
FITTING KIT IN BOX

7



M6 T-Nut QTY: 16

8



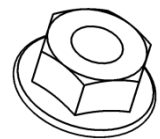
Inner Hex Thread Rod
M6×25 QTY: 16

9

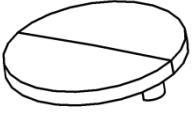
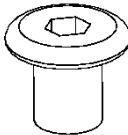
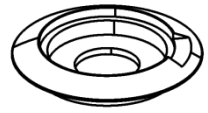
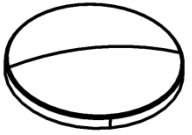
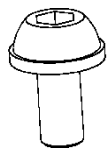

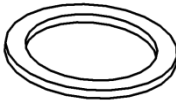


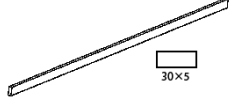
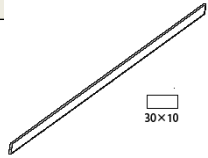

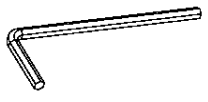

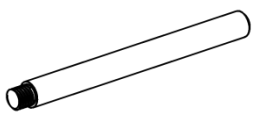
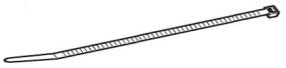
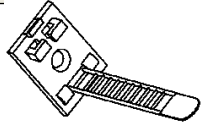



Large Washer D6
(6x18x1.6mm) QTY:20

10



Flange Nut M6 QTY: 16

<p>11</p>  <p>End cap for side rail QTY:2</p>	<p>12</p>  <p>Inner Hex bolt M5_6 QTY: 6</p>	<p>13</p>  <p>Plastic Base QTY: 6 (For top plate)</p>	<p>14</p>  <p>Plastic Cap QTY: 6 (For top plate)</p>
<p>15</p>  <p>M6x12 (BLACK) QTY: 8</p>	<p>16</p>  <p>Front Drainage Tube QTY: 2</p>	<p>17</p>  <p>Rubber Washer 56x43x3 QTY: 2</p>	<p>18</p>  <p>Grommet QTY: 2</p>
<p>19</p>  <p>Rear Drainage Tube QTY: 2</p>	<p>20</p>  <p>Rear Foam Tape (1650x30x5) QTY: 1</p>	<p>21</p>  <p>Front Foam Tape (1650x30x10) QTY:1</p>	<p>22</p>  <p>Bracket Front & middle & rear</p>
<p>23</p>  <p>Allen Wrench S=3 QTY: 1</p>	<p>24</p>  <p>Inner Hex Bolt M8 QTY: 12</p>	<p>25</p>  <p>Rod for Gear box QTY: 1</p>	<p>26</p>  <p>Nylon Cable Tie (2.5x140) QTY: 10</p>
<p>27</p>  <p>Cable Tie with holder QTY: 10</p>	<p>28</p>  <p>Allen Wrench S=5 QTY: 1</p>		

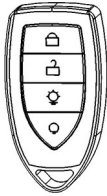
FITTING KIT ADDITIONAL ITEMS

29



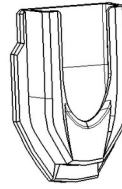
WIRE HARNESS QTY: 1

30



REMOTE CONTROL QTY: 2

31



KEY HOLDER QTY: 1

32

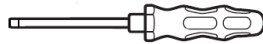


INSTALLATION INSTRUCTIONS QTY: 1

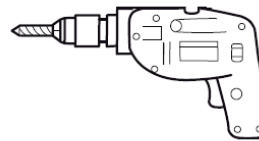
TOOLS REQUIRED – NOT SUPPLIED IN KIT



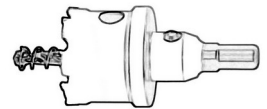
Phillips Screwdriver



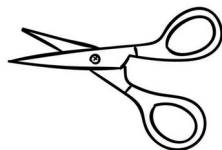
Flat Screwdriver



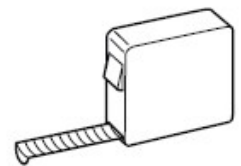
Drill



Holesaw



Scissors

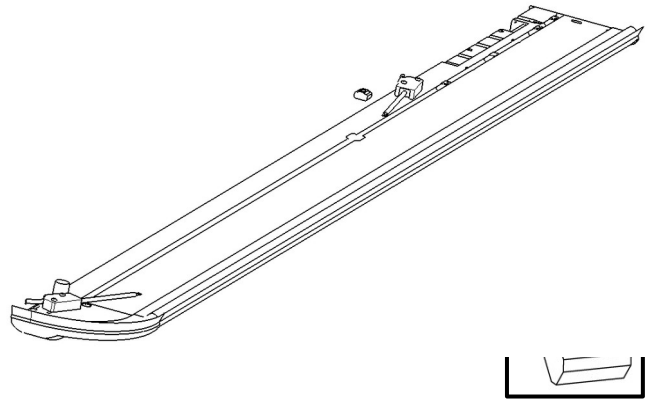
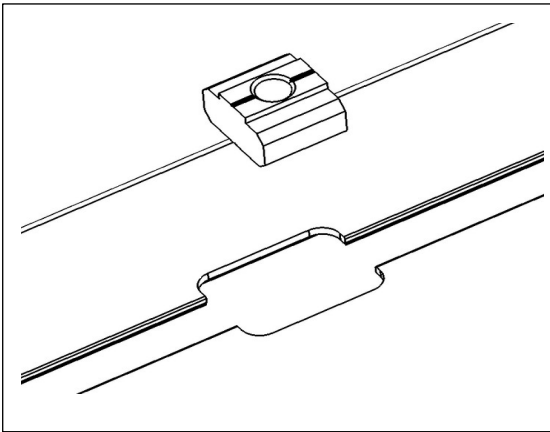


Tape measure

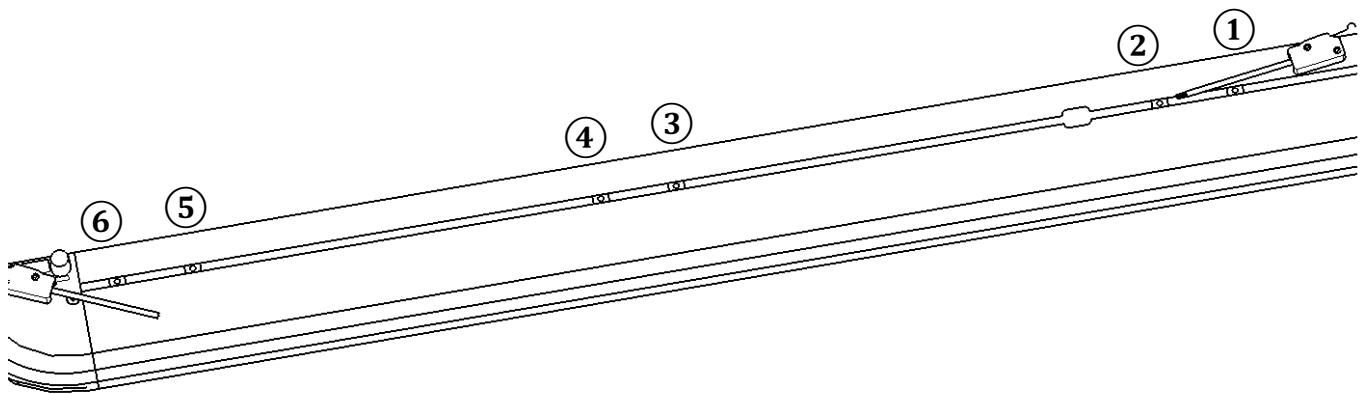


Non-permanent pen

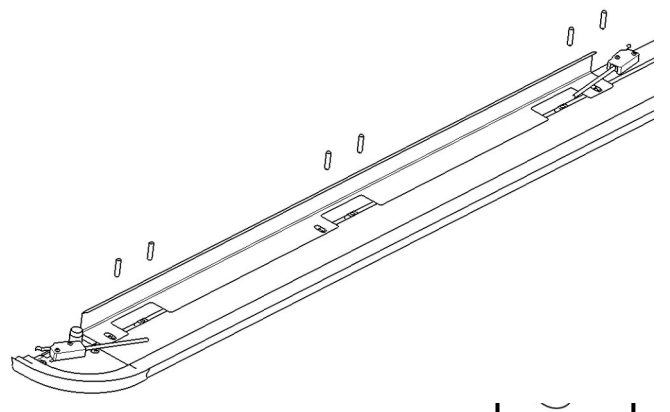
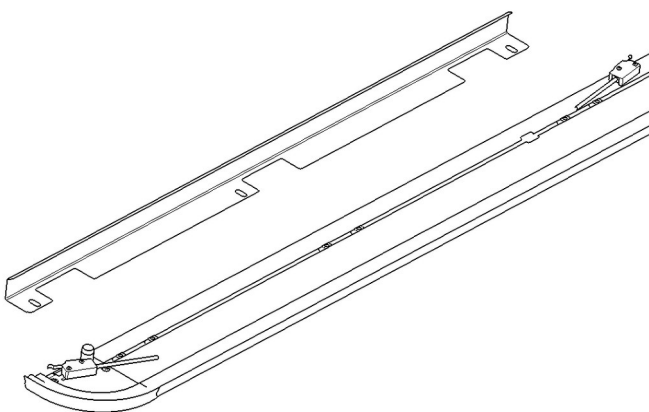
SIDE RAIL INSTALLATION



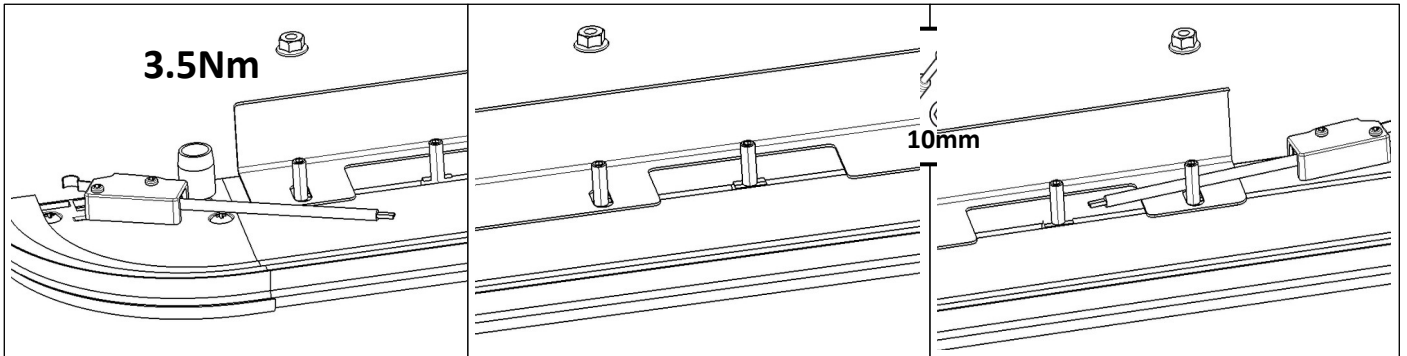
Slide the T-Nuts into side rails, 6 pieces on each side.



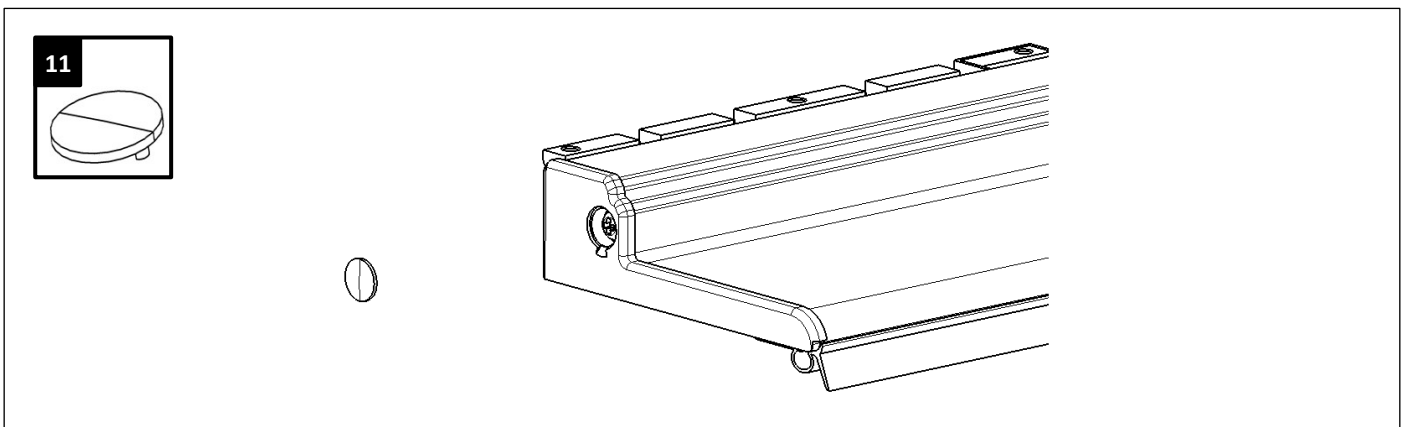
Slide the T-Nuts to appropriate position, as above picture shows. Two of them will be slid towards the front side.



Install the wire harness board; adjust the T-Nuts to appropriate position. Then put on the M6× 25 Inner Hex thread rod.

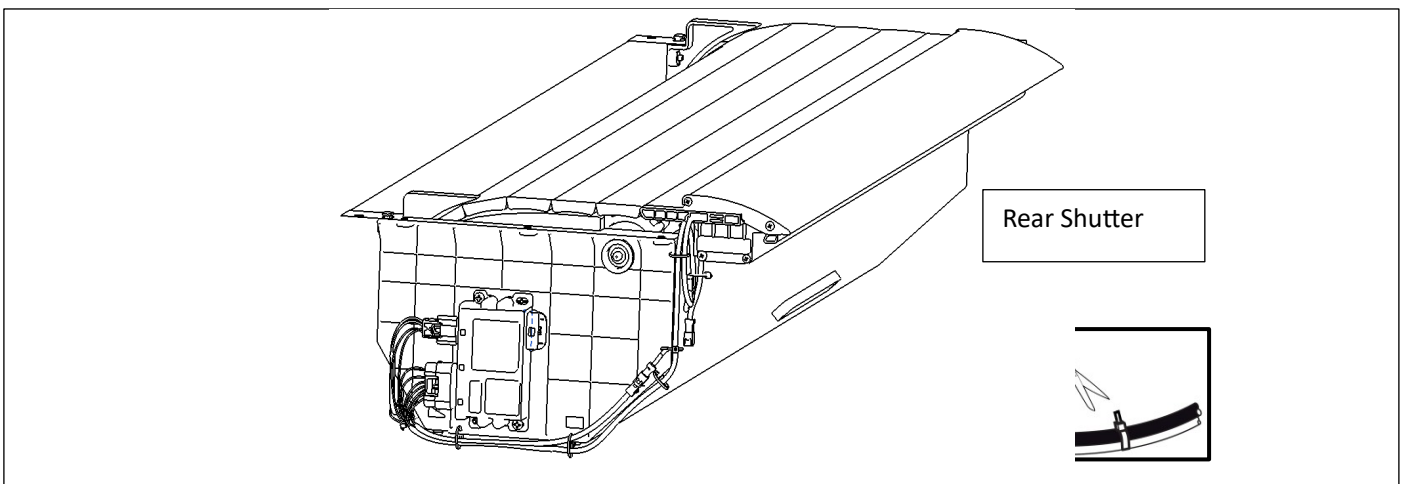


Fasten the wire harness board with 3 pieces flange nuts.

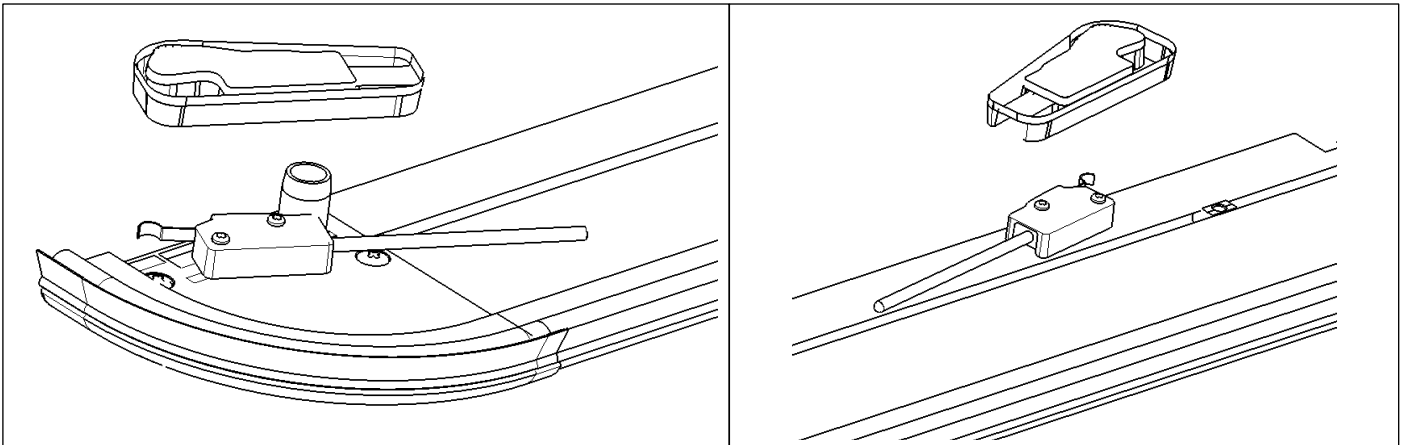


Put the plastic end cap on the front side of the side rail. Assembly way is same on both sides.

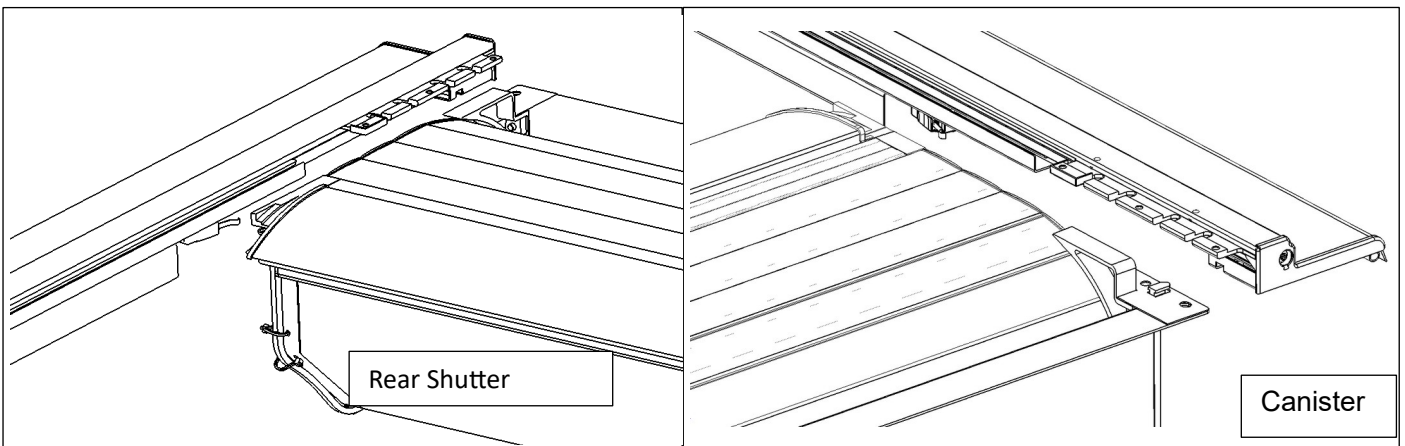
SIDE RAIL & CANISTER



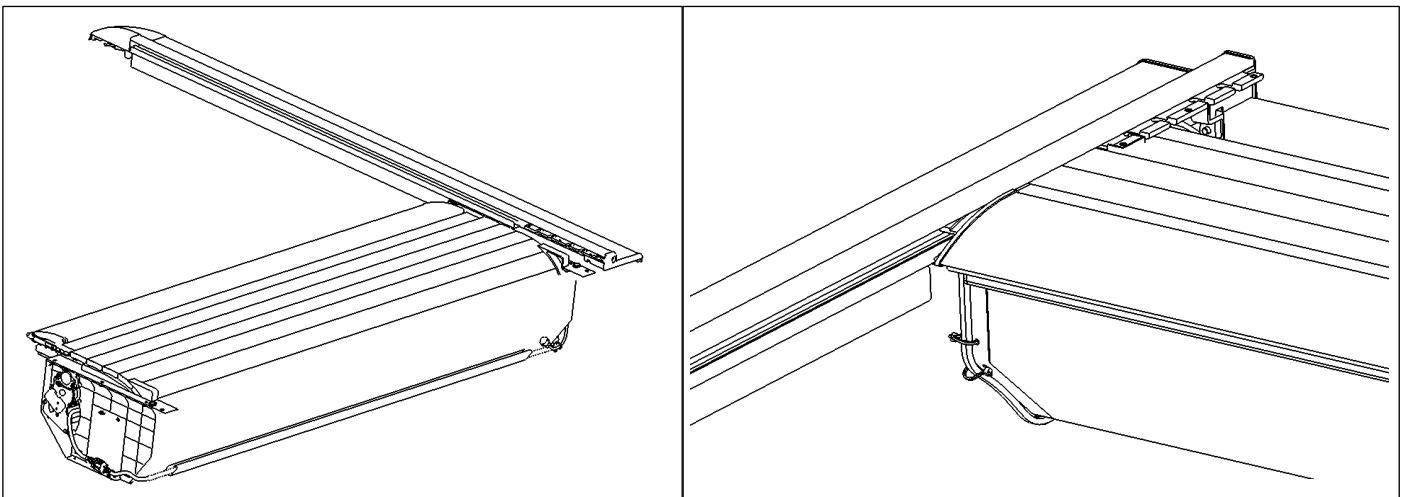
Pull out the shutters a little bit, release the cable tie for switch.



Loosen the tap screw a little bit, and then remove the blister packing on the switch.
Notice: Loosen the screw a little is enough, do not take them out.

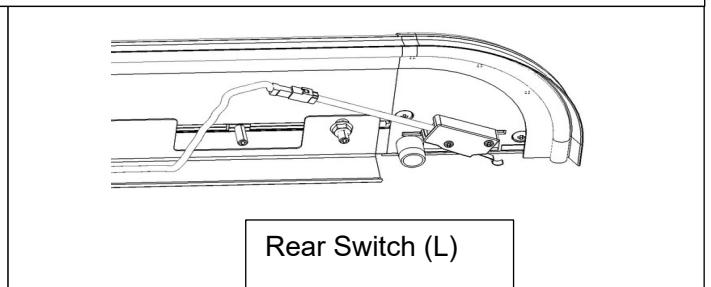
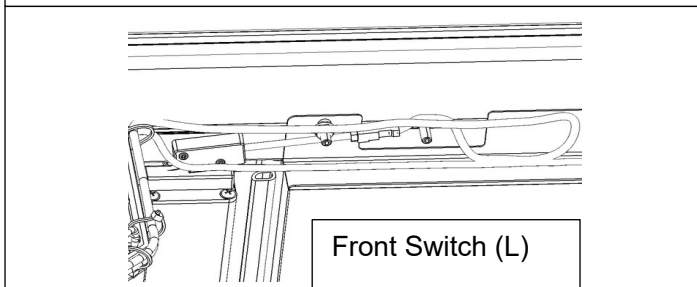
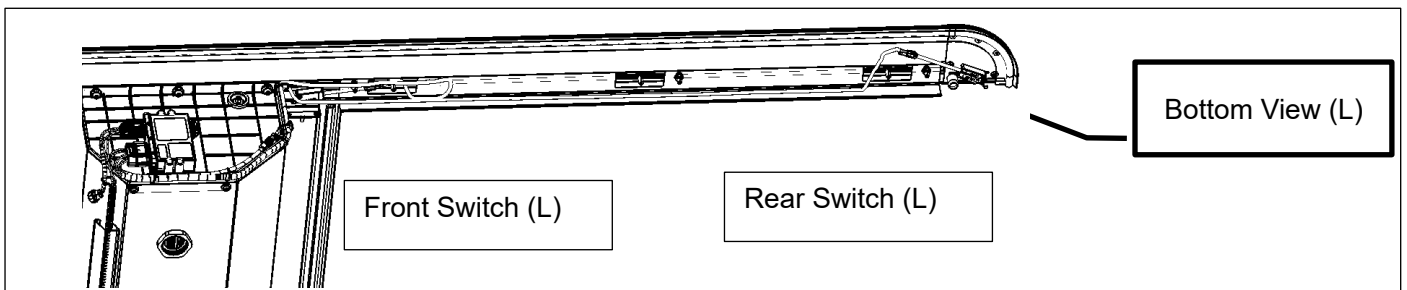
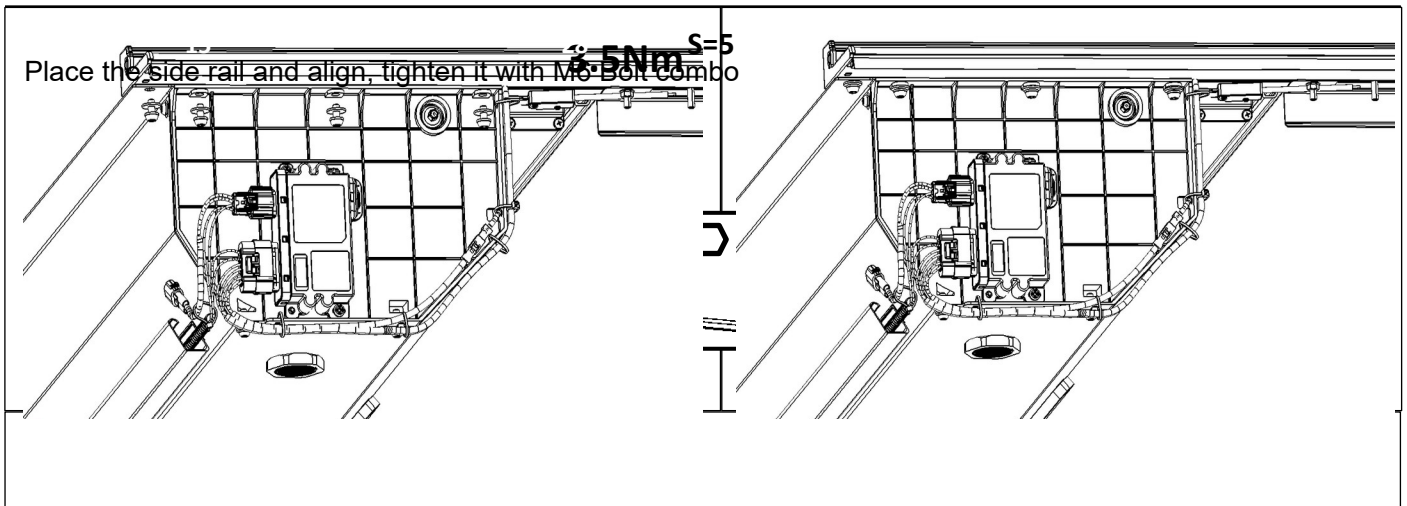


Place the side rail on and align.
Notice: Be careful, the switch may get damaged if it hit the canister harshly.

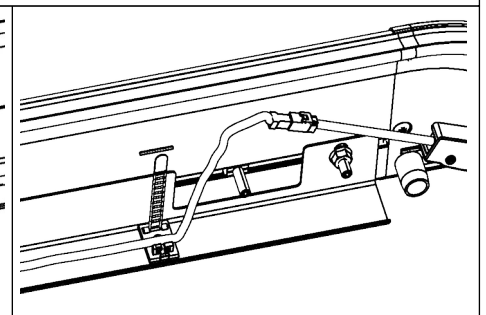
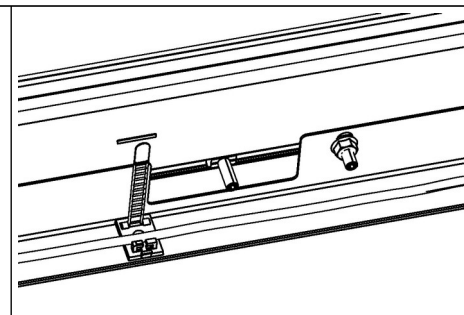
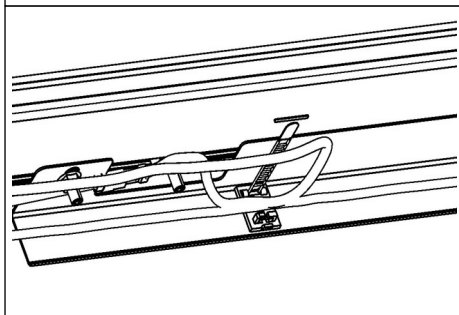
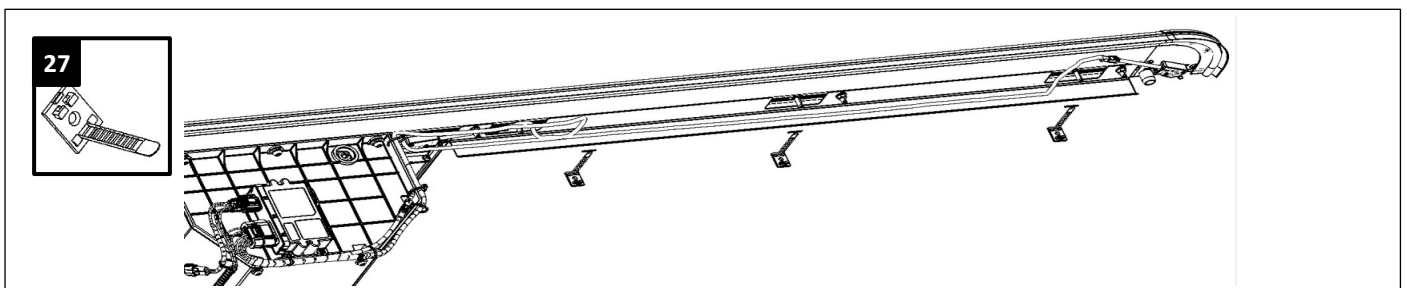


Install the side rail, align to the canister.

Name : R5 Electric Roller Shutter

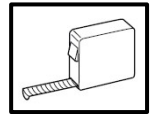
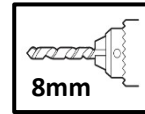
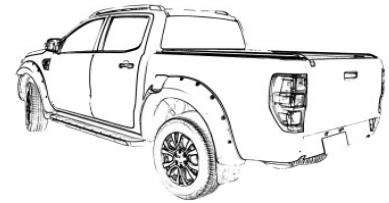
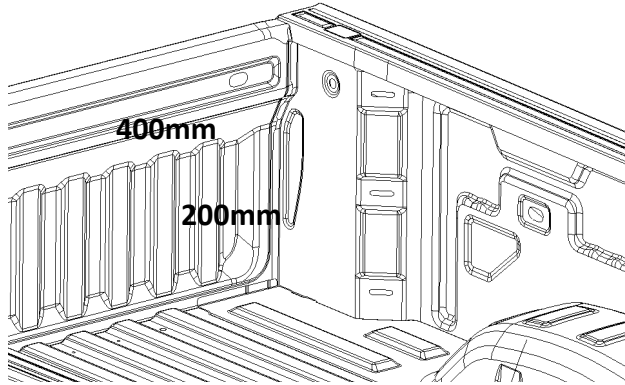


Connect the wire harness for switches; each wire will have a label to classify.

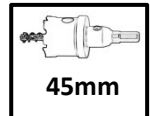
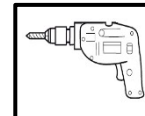
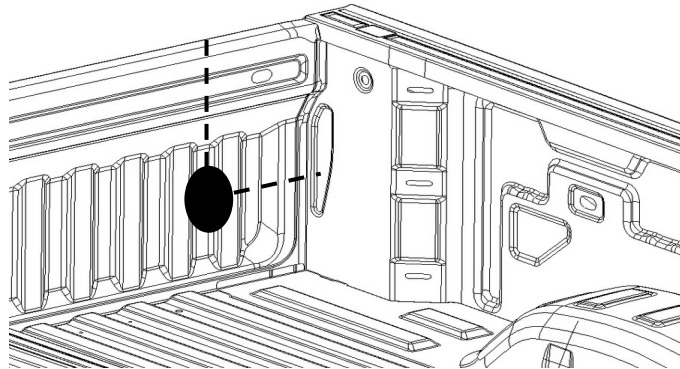
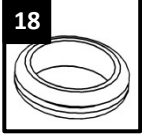


Peel off the protective film, stick the cable tie holder on inner side of the wire harness board. Stick 3 pieces on each wire harness board. Assembly way is same on both sides.

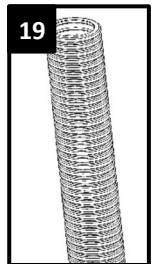
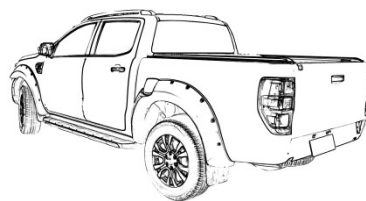
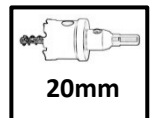
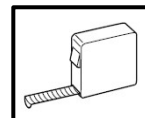
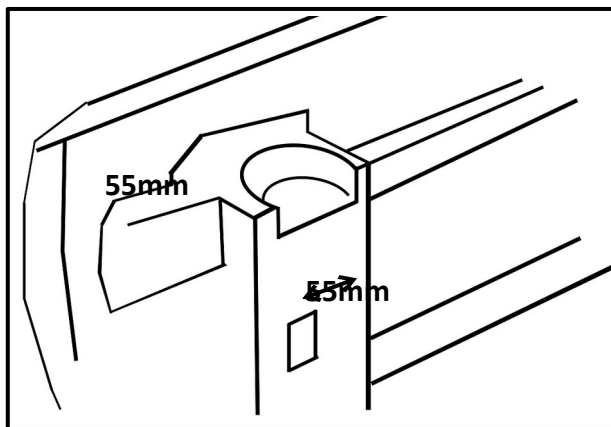
Drilling Holes for Drainage Tube



Measure and mark up the positions for the front drain tubes on both sides. Then drill through the truck bed with 8mm drill. **Notice:** Positions for drain tubes may be different for some pickup trucks.

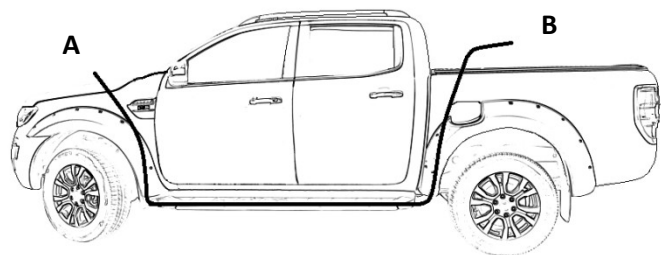
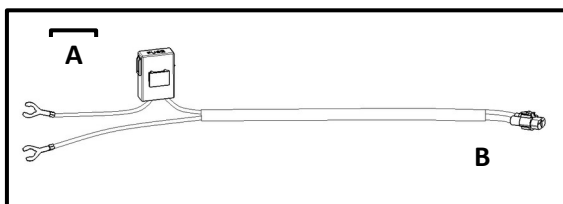
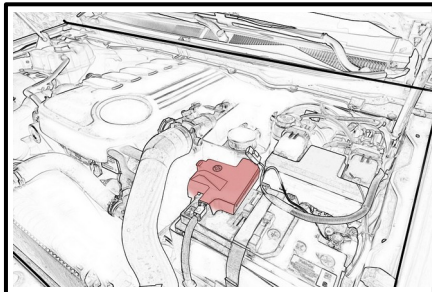


Drill out the front pilot holes in the truck bed with 45mm holesaw. To avoid getting rust, you should paint the drain hole on truck bed before putting on the grommet.

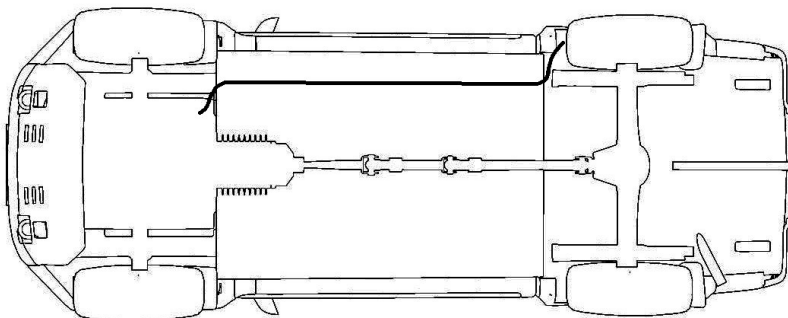
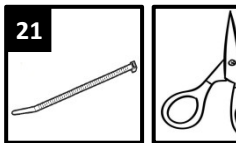


Measure and mark up the positions for the rear drain tubes on both sides. Drill the locations with 20mm holesaw. **Notice:** Just for reference, for some vehicles the rear drain hole positions would be different.

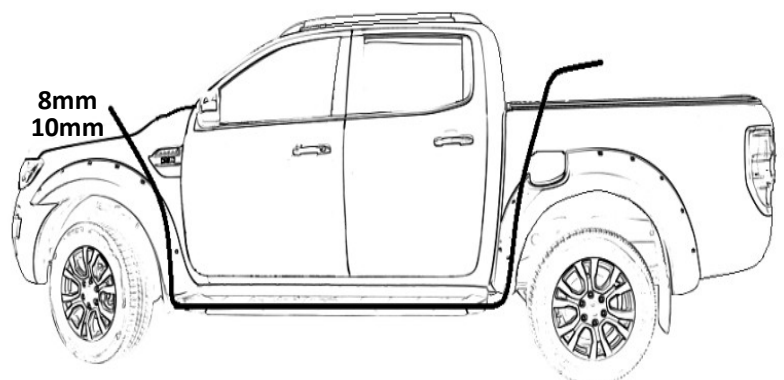
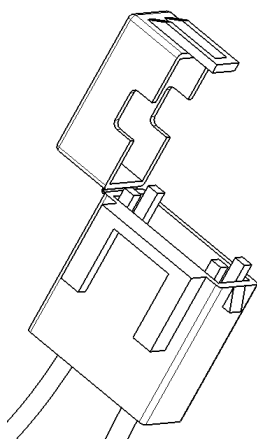
Route the Wiring Harness



Starting from the chassis rail in front of the LHS rear wheel, feed the wire harness to vehicle battery through chassis.



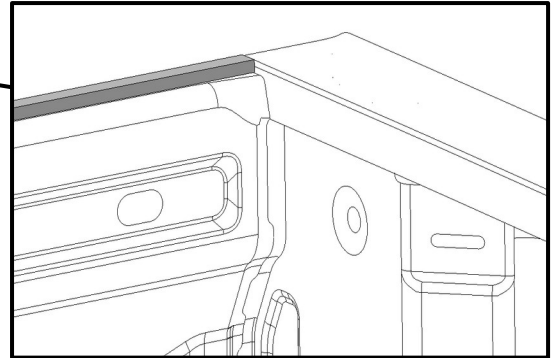
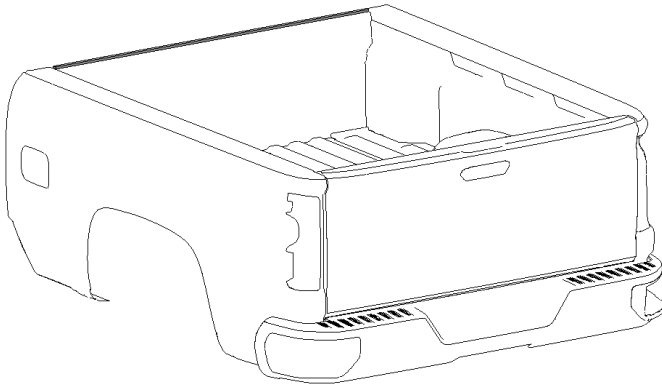
Attach the wiring harness to the chassis rail using hole in the tab mount, use cable tie.



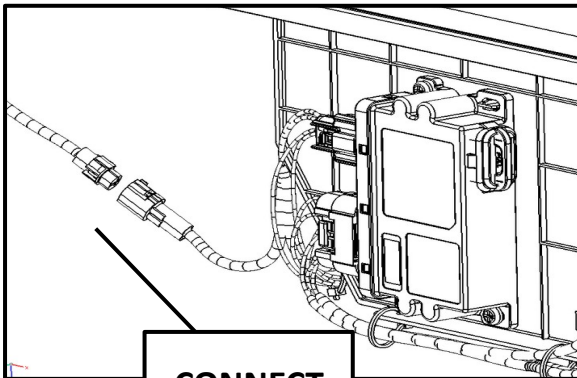
Remove the fuse from fuse holder. Connect the vehicle harness to the positive and negative terminals of the battery. **NOTE: Black- Negative; Red- Positive. Fit fuse to the fuse holder on the harness.**

Put the Roller Shutter on Truck Bed

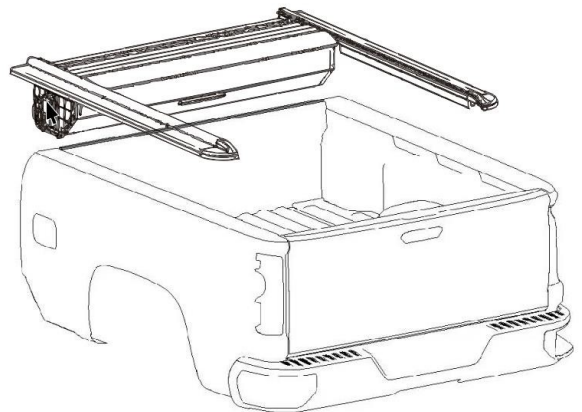
21



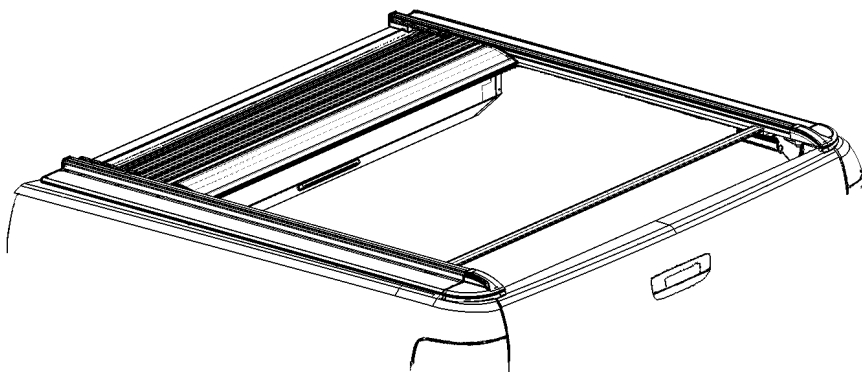
Install the front foam tape on the top of the bulkhead.



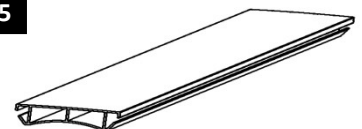
CONNECT



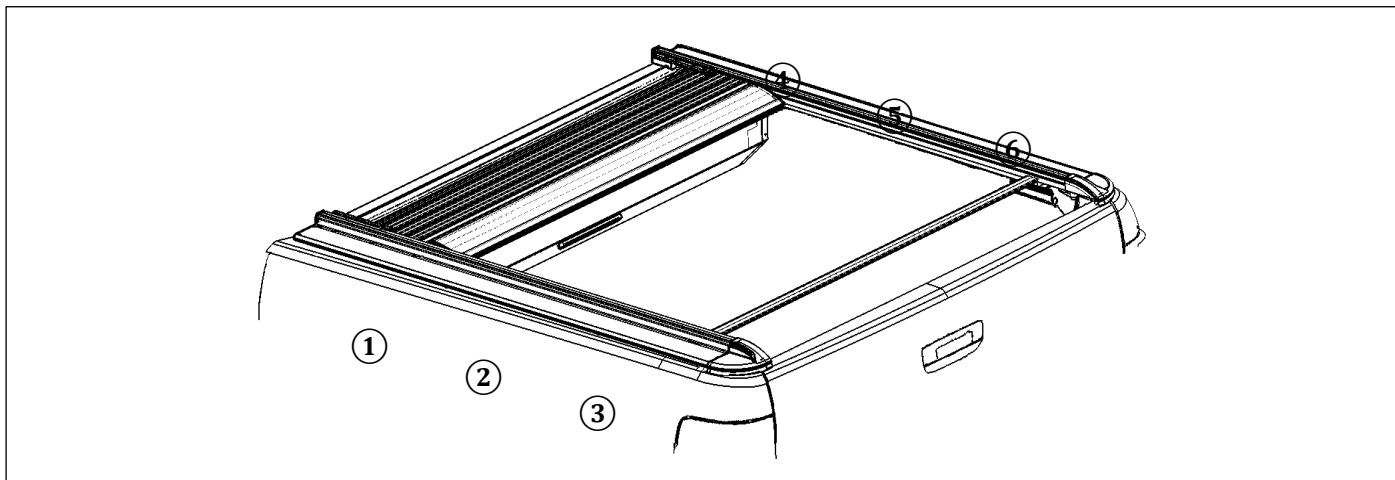
Put the roller shutter on truck bed, and then connect the wire harness.



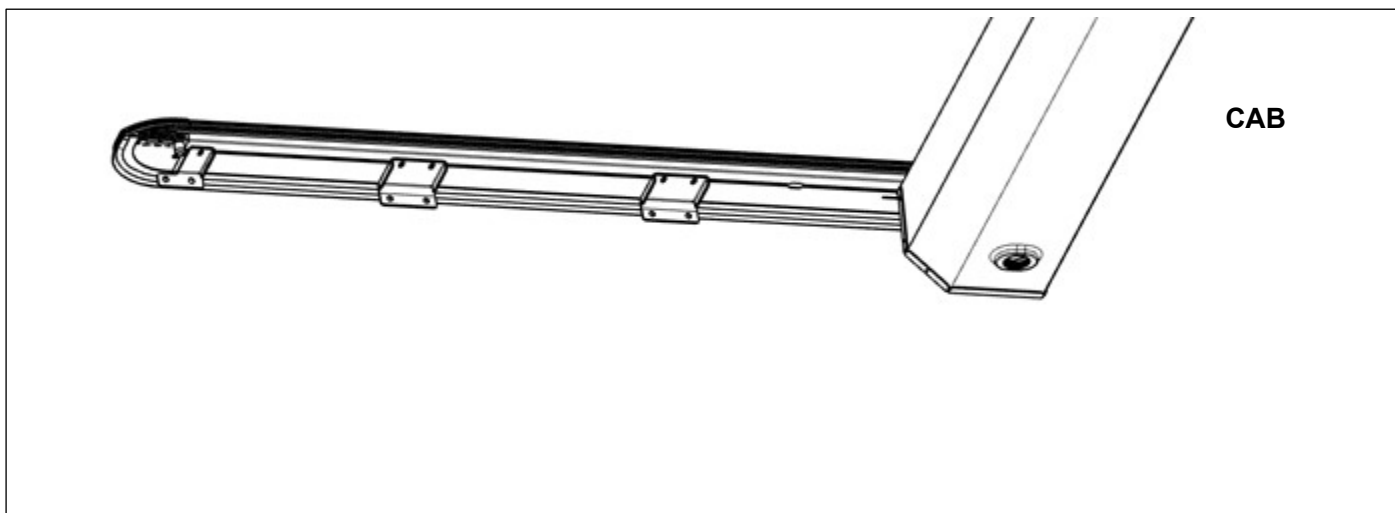
5



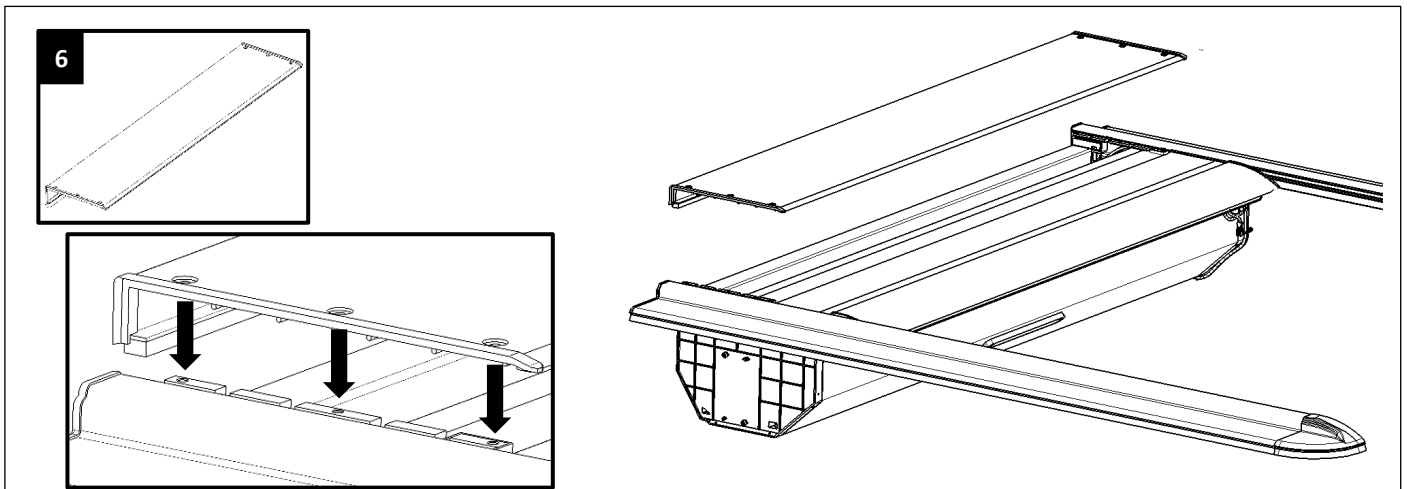
Put on the Aluminum standard bar, to keep the side rails on parallel status.



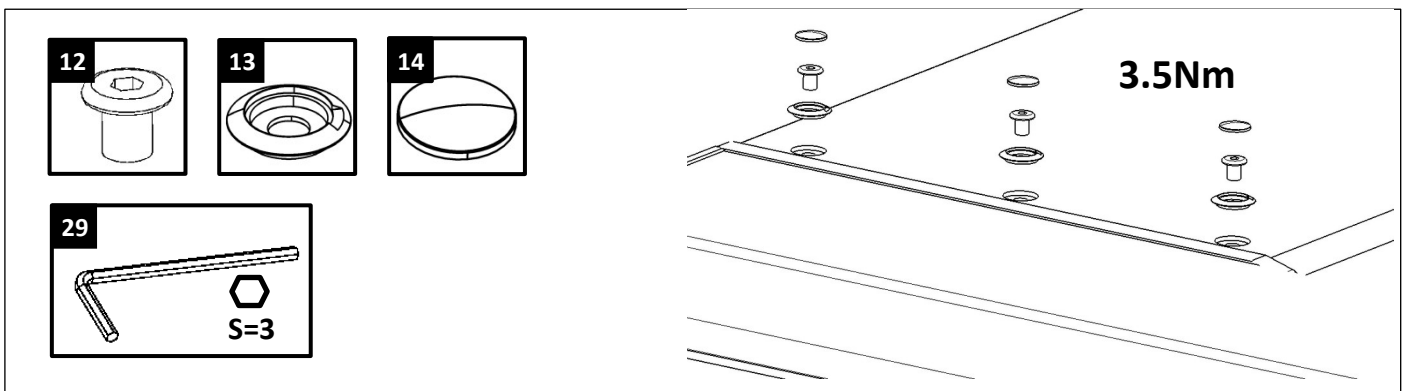
Install the brackets
Front & middle& rear. (brackets ①、 、 ③、 ④、 、 ⑥)



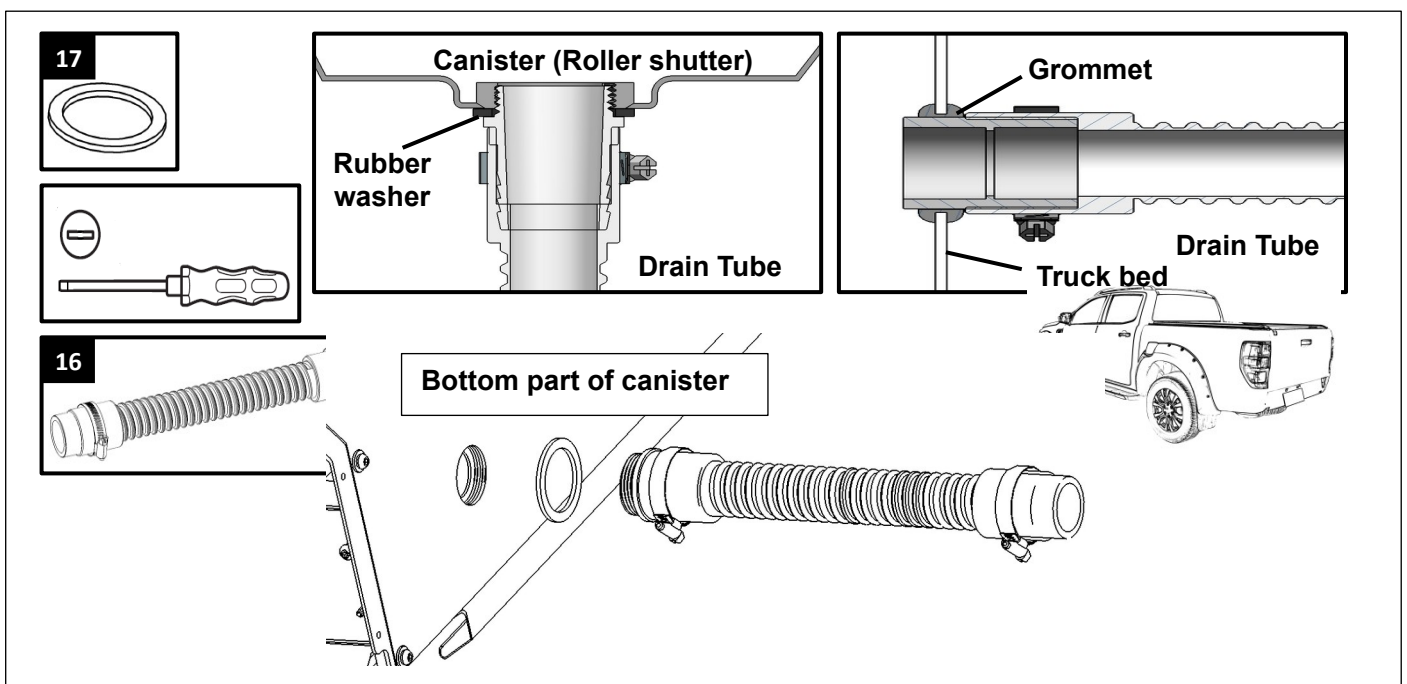
Install the brackets, fasten them on truck bed original holes with M8 bolt& spring washer& flat washer.



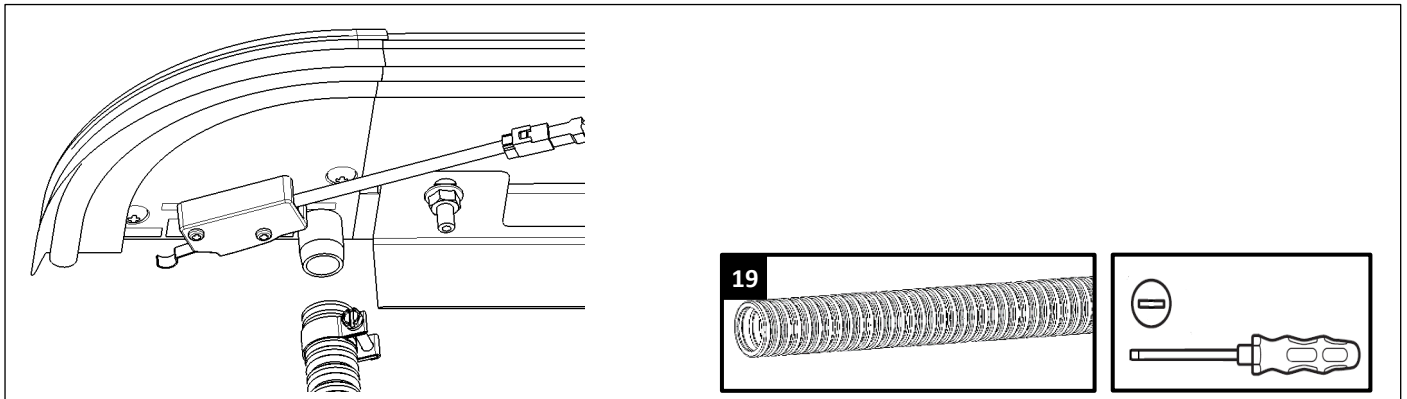
Put on the cover plate, adjust it to appropriate position.



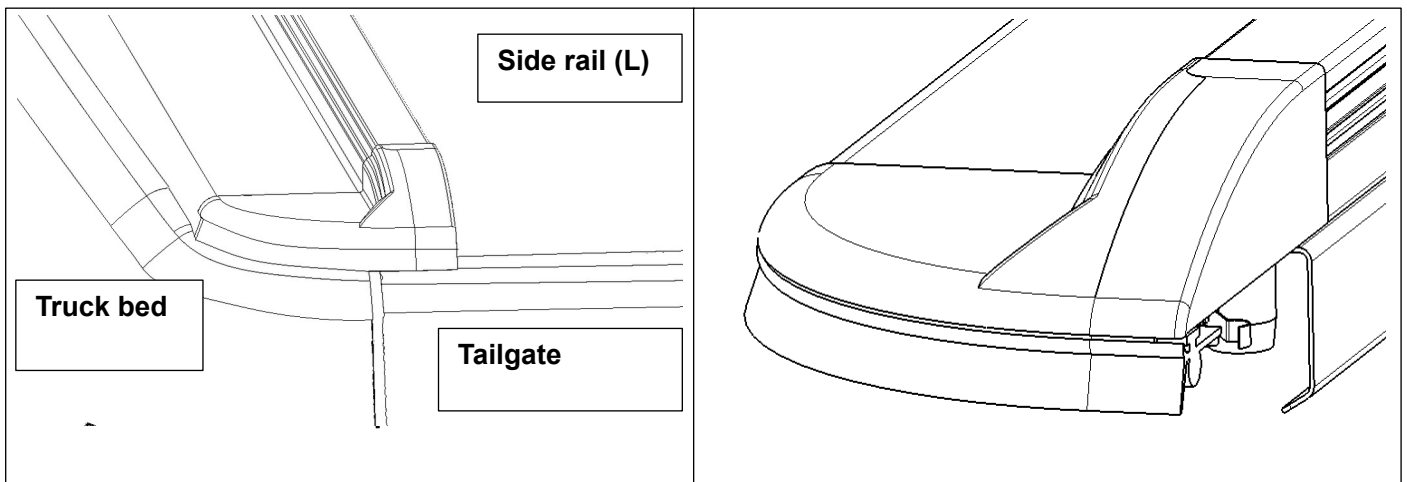
Install the top plate, fasten it with plastic base and M5_6 inner hex bolt. Then put on the plastic cover.



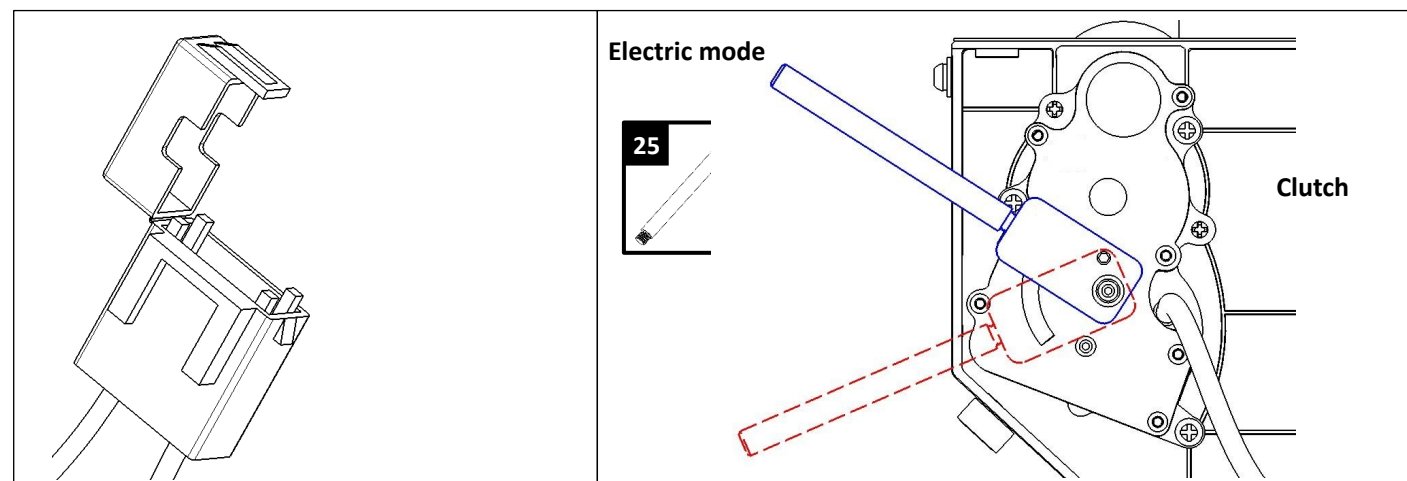
Put the rubber washer on the front drain tube (the threaded side), then install the drain tube on canister. Thread the front drain tube to the truck bed, fasten the hose clamp.



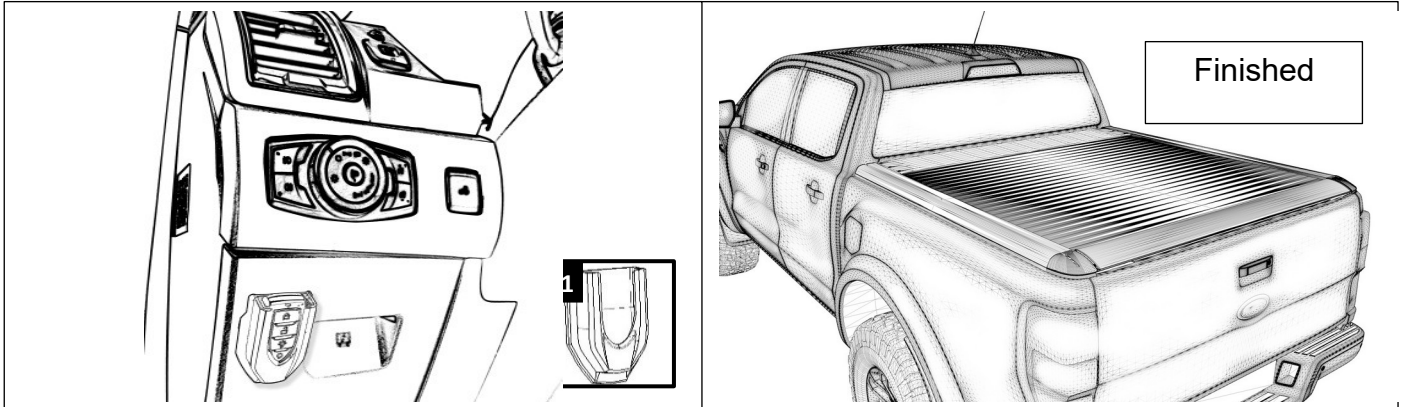
Install the rear drain tube, fasten the hose clamp.



When closing the tailgate, if there is interference between rubber strip and tailgate, please trim the rear rubber strip as above picture shows.



Finally insert the 25A fuse back to the fuse box, then the installation is complete.
Notice: There is no distinction between the front and the back side of the fuse.



For convenience, maybe you can keep one of the remote control in driver cabin.

(Such as sticking the key holder on below of the console, then put the remote control in it)