

---

# OWNER'S MANUAL FOR E- ROLLER SHUTTER



Please read this instruction carefully before using the product

## FOREWORD:

Thank you for purchasing our product. The smart electric roller shutter has the characteristic of arbitrary start and stop, super loading, security and anti-theft, it can also avoid the items getting wet which in the truck bed, hands-free, and upgrade the car level and easy to use.

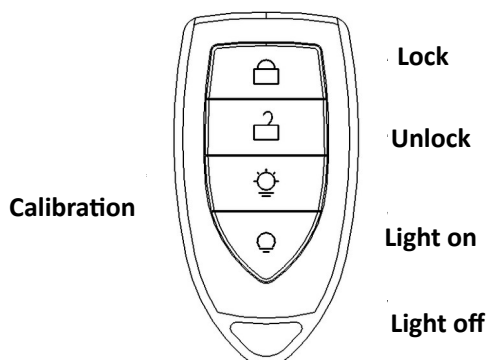
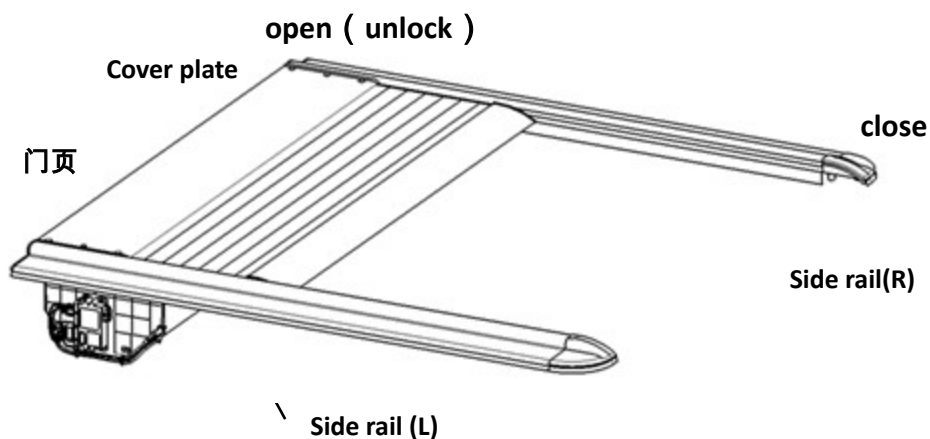
## CAUTION :

- 1、 Please read this instruction carefully, so that you can install and using this product properly
- 2、 When exception occur, please contact with the professional person and manufacturer for help ;
- 3、 Non-professional person is prohibited for disassembling this product, unauthorized disassembly may cause damage or getting hurt ;

## FUNCTION DISCLAIM :

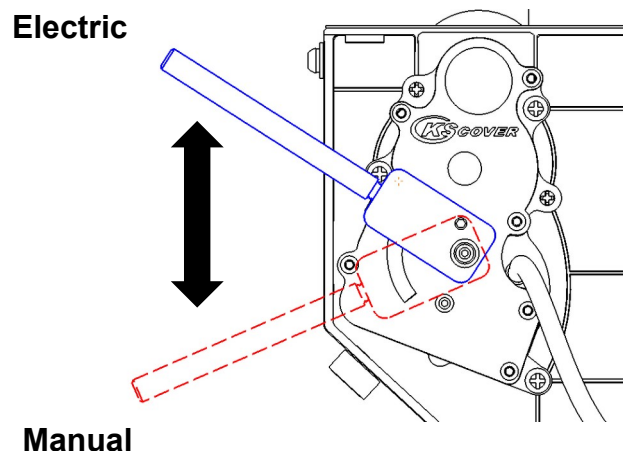
The company will not responsible for any abnormality or accident if it is not operated according to use method of function instruction ;

## PRODUCT DESCRIPTION :



## FUNCTION INTRODUCTION AND USE METHOD :

1. Electric roller shutter opening function
  - 1.1 Pressing the “unlock” button of key briefly once to open roller shutter
2. Roller shutter electric closing function
  - 2.1 Pressing the “lock” button of key briefly once to close roller shutter
3. Auxiliary lighting function
  - 3.1 Pressing the “light up” button of key briefly once to open auxiliary lighting ( Remote key cannot control LED light during status alert )
  - 3.2 Pressing the “light off” button of key briefly once to open LED lighting ( Remote key cannot control auxiliary light during status alert )
  - 3.3 Brightness adjustment, when LED lighting, pressing the “light up” button once to adjust the brightness of light, and there are 3 gears.
  - 3.4 Open the roller shutter with remote key, the LED light will open automatically, and automatically extinguished after 5 min.
4. Roller shutter calibration function: calibration function is to calibrate the operation of opening and closing position of roller shutter(The concrete operation is press the button of “lock” and “light off” briefly once at the same time )
  - 4.1 The section describe how to power on the device for the first time or again.
  - 4.2 Manual switch of roller shutter to be used, need to calibrate again.
  - 4.3 If find that the electric opening and closing of roller shutter is not on place or rebound, you can try to calibrate again.
  - 4.4 It is commended to calibrate again regularly.
5. Stop function: During electric open and close of roller shutter, press on the button of “lock” or “unlock” briefly in the remote key, the working of roller shutter will be stopped
6. Anti-pinch function: During electric open and close of roller shutter, when encountering obstacle, the roller shutter can be stopped with a small force to avoid clamping injury.
7. Manual/electric mode switching function: use the clutch pole screw into the clutch wrench of the motor, and hit the clutch to corresponding position to realize the manual and electric switch of the roller shutter.



8. Status remind function: The current status and abnormal situation of roller shutter is fed back through the way of LED light flashing, the lighting flashing can be divided into long flashing and short flashing.

Status Menu	Long flashing	Short flashing
Reset/ Calibration	2	3
Hall abnormal	3	1
Motor timeout working	3	3
Motor protection	3	4
Motor overvoltage warning	3	7
Motor low voltage warning	3	8