

# Installation Instruction for Roller Lid Cover

(Stainless Steel Canister)

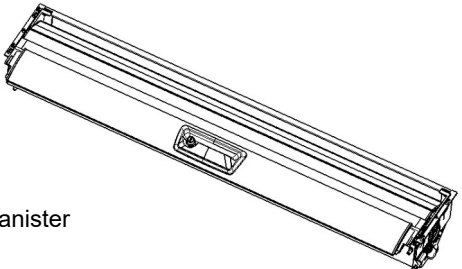
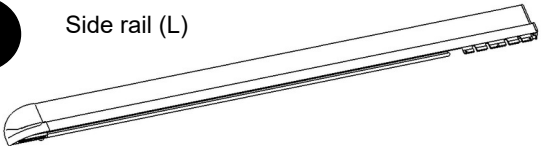
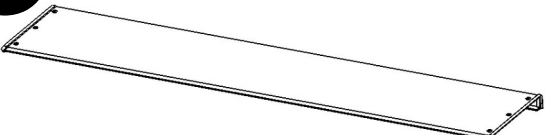
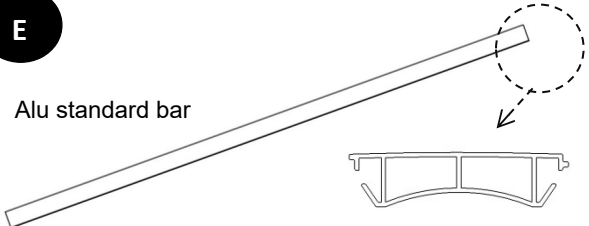

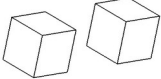
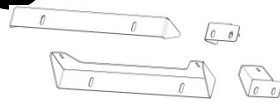







**Before Installation**

Please read the instruction completely for easy installation, which will also help you to avoid scratches or other potential damages to your appealing car.

Please periodically check and retighten all the hardware and clean the investment for a refresh look. The figures here are for reference only and may have differences with the actual product you received, however they share the same assembly way.

### PART LIST

<p><b>A</b></p>  <p>Canister</p>	<p><b>B</b></p> <p>Side rail (L)</p> 		
<p><b>D</b></p>  <p>Cover plate (For canister)</p>	<p><b>E</b></p> <p>Alu standard bar</p> 		
<p><b>1</b></p>  <p>Accessories for brackets</p>	<p><b>2</b></p>  <p>Positioning rubber foam (Tailgate)</p>	<p><b>3</b></p>  <p>Front &amp; Rear brackets</p>	<p><b>4</b></p>  <p>Bolts for side rails</p>
<p><b>5</b></p>  <p>Accessories for cover plate</p>	<p><b>6</b></p>  <p>Drain-pipe for rear part</p>	<p><b>7</b></p>  <p>Drain-pipe for canister</p>	<p><b>8</b></p>  <p>Foam seal</p>



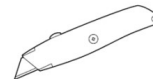
### Tools and materials needed



T15, T30

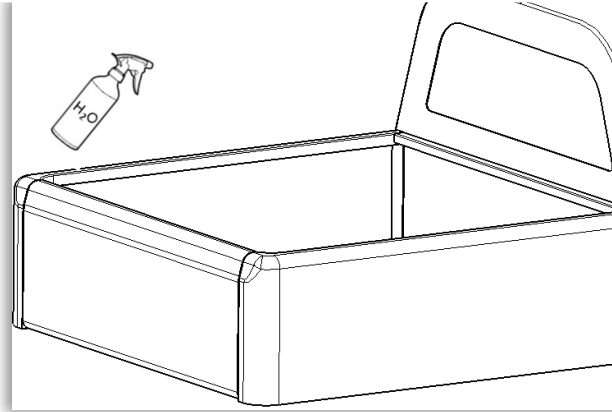


H<sub>2</sub>O

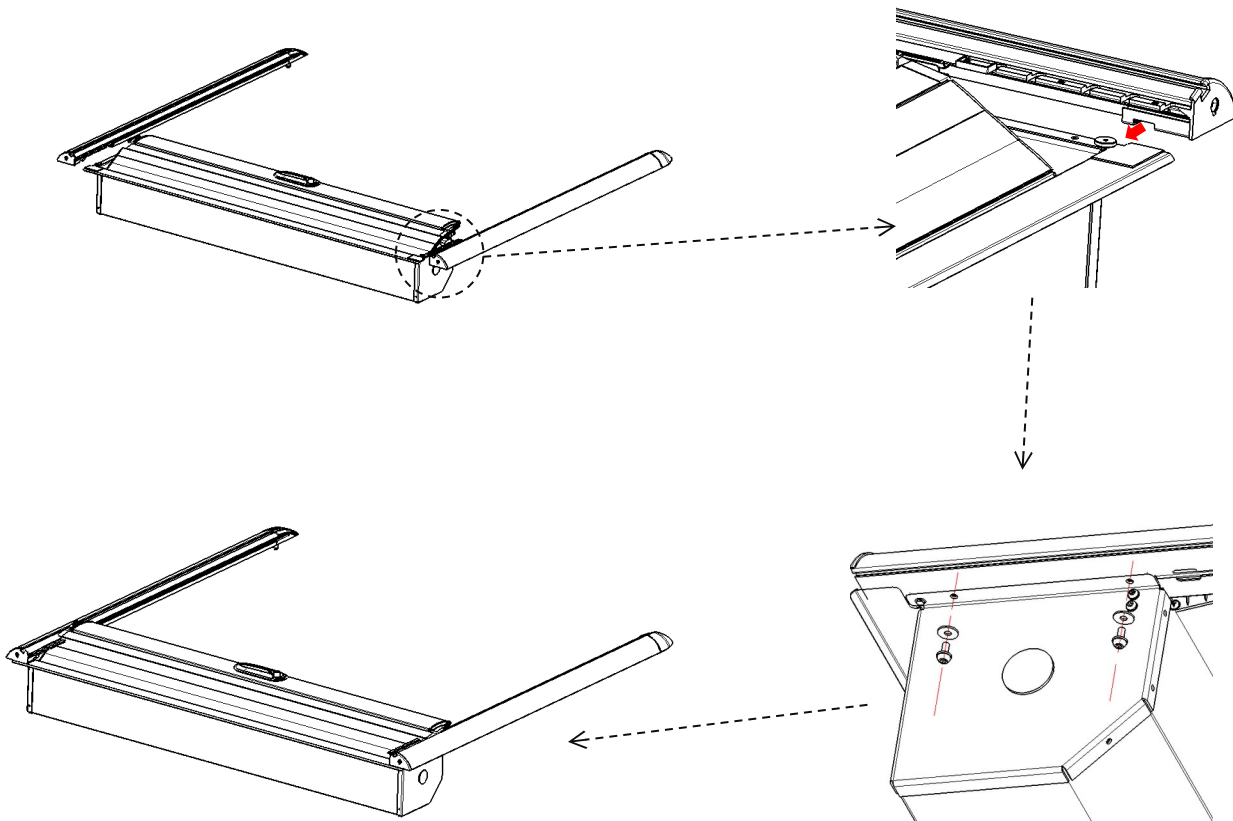


## Installation Steps

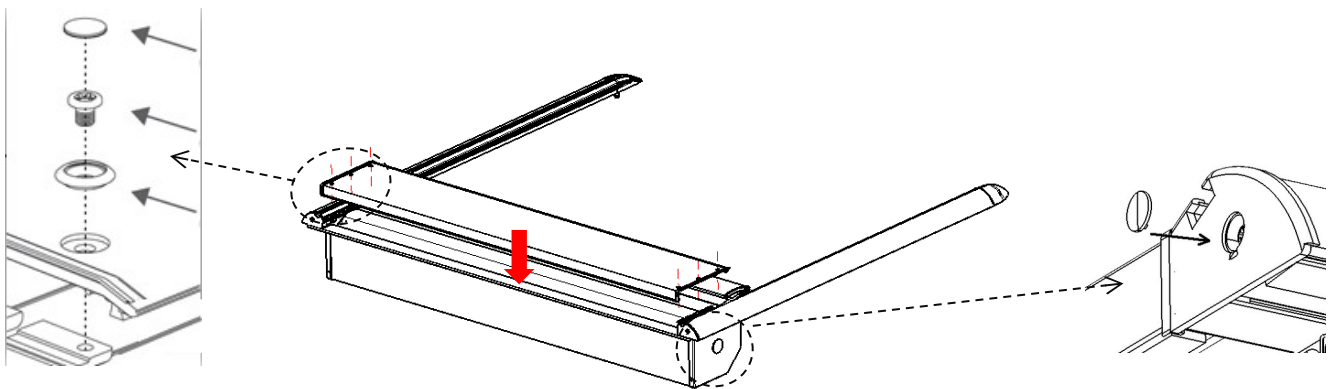
1. Cleaning the trunk and margin by water X, dismantling the other unnecessary part for clean and tidy.



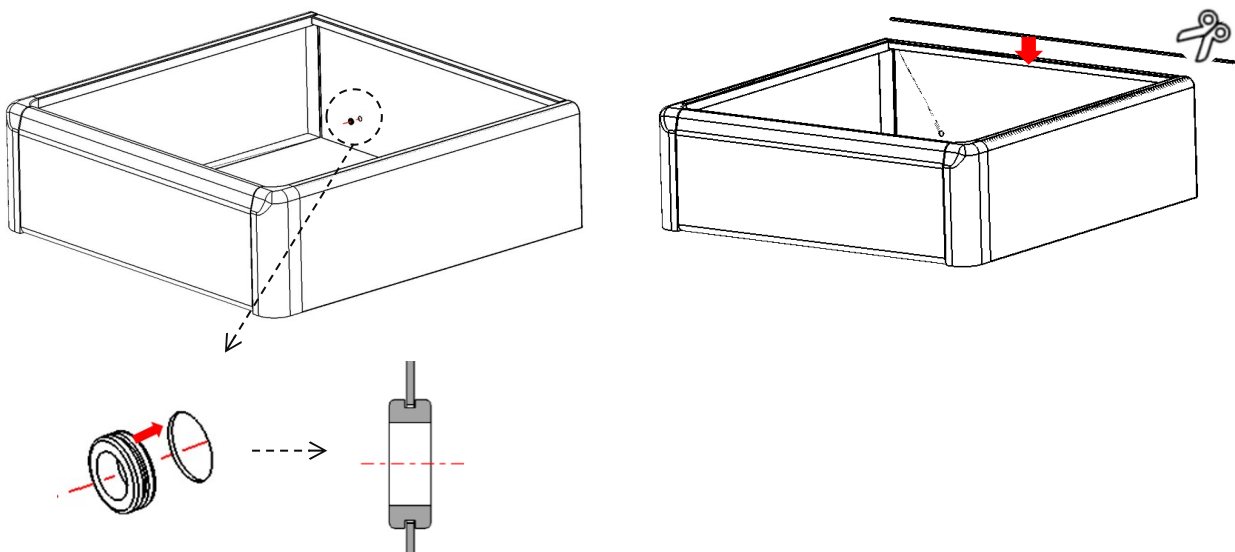
2. Install side rails \ on canister with .



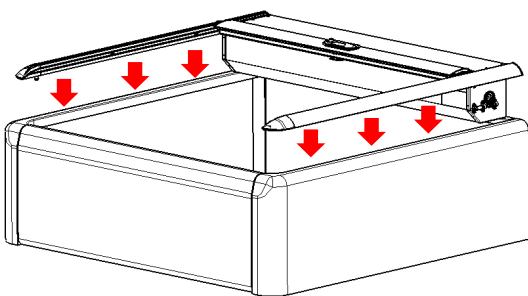
3. Install plate on the side rails with .



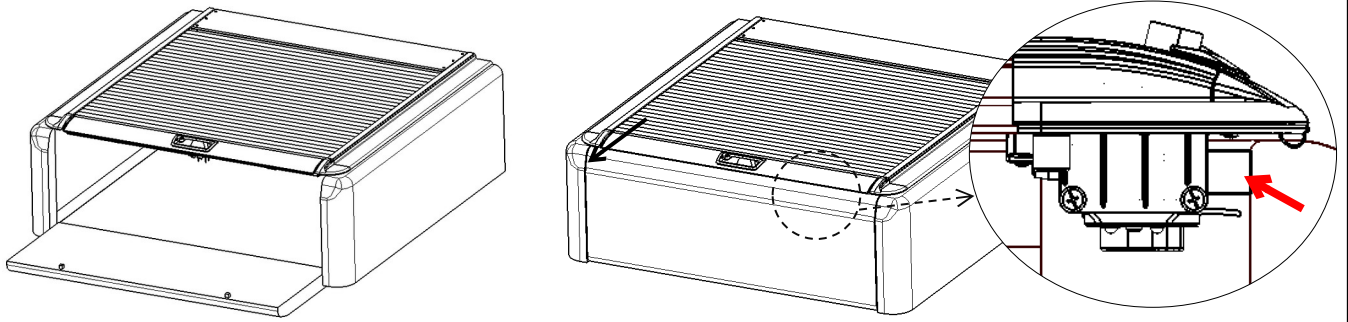
4. Find the two holes on the front of the truck bed, and then install the drain ring on it. Both sides should be same. Install the bulkhead seal and trim it at the corner part to match the side rails.



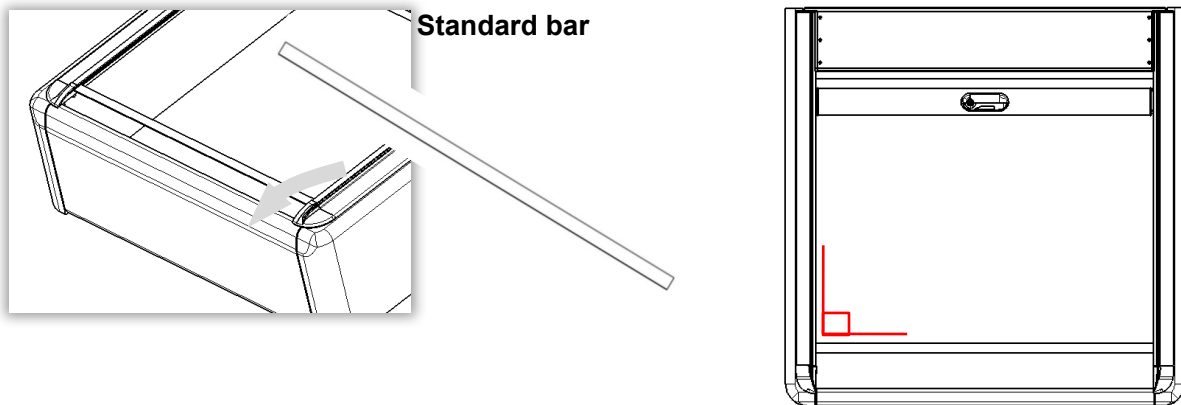
5. Put the roller lid cover on the truck bed.



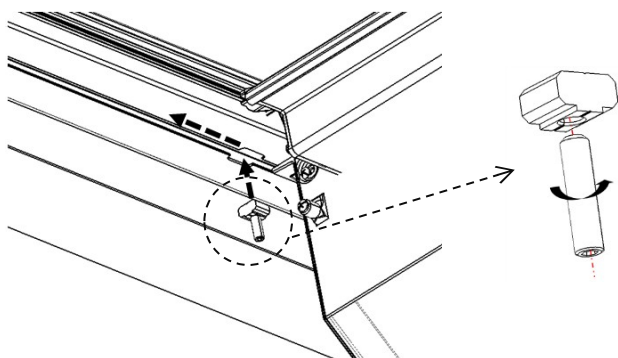
6. Put the rubber foam on the tailgate, as the photo shows above. Close the roller lid and pull it backwards until it touch the rubber foam.



7 . Open the roller lid and put the standard bar to adjust the width between two side rails. Distance between the side rails should be same from front to rear part.

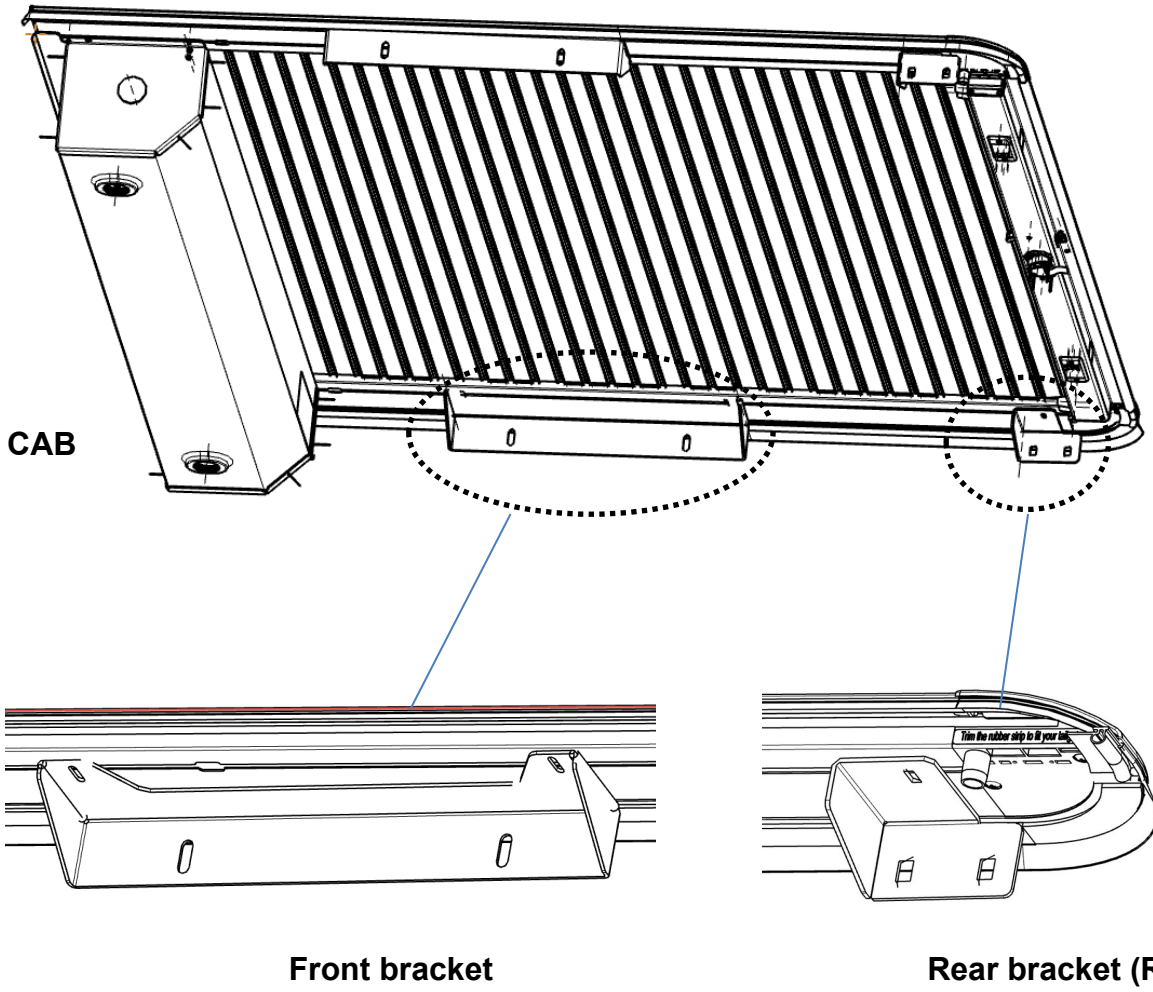


8. As the figure shows, M6 bolt screwed into M6 square nut. Then put the bolts into the side rails, 3 pieces on each side.



9. Install the front/ rear brackets as below picture shows.

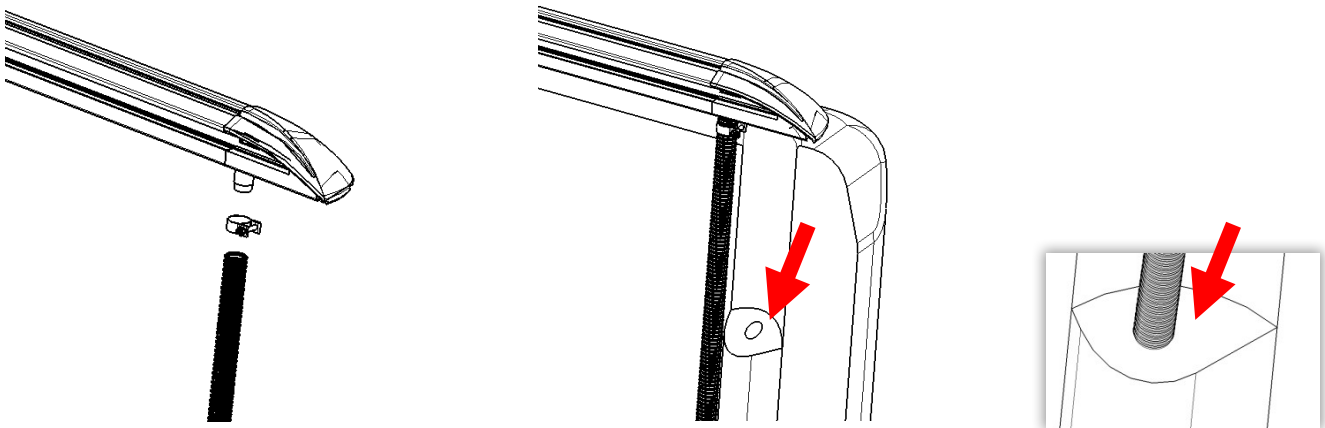
Fasten the brackets on truck bed original holes & bolts



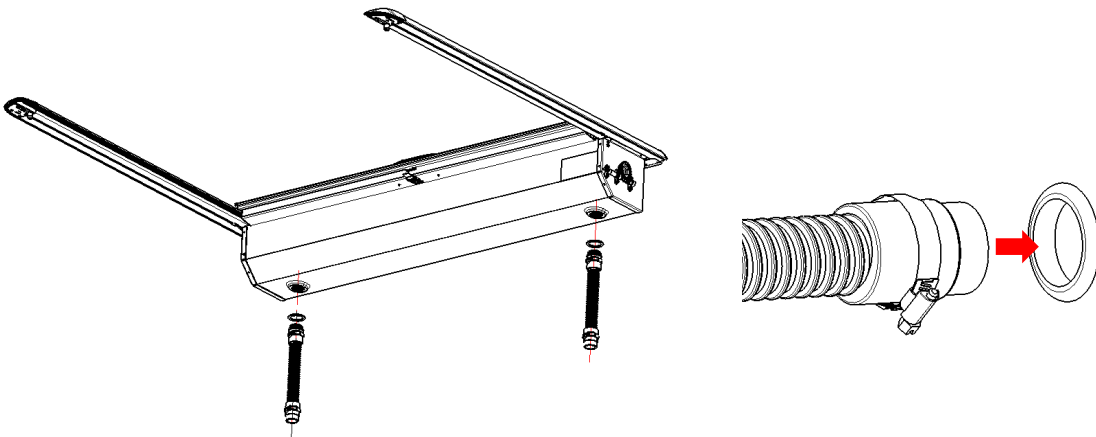
Front bracket

Rear bracket (R)

10. Install the drain-pipe at the rear part of the tracks. (Both sides should be same)



**11. Install the drain-pipes on canister, threading them through the front holes**



**12. If the roller shutter do not runs smoothly, you can follow below steps: (as the picture shows)**

- a. Put some lubricating oil on the track.
- b. Adjust the spring.

**(Notice:** These 2 steps should be done every 3 months; also you can do it if needed.)

