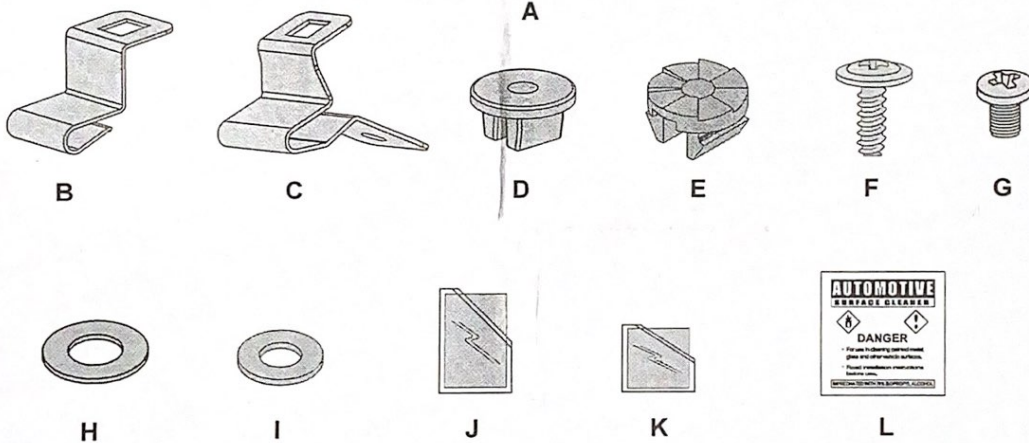
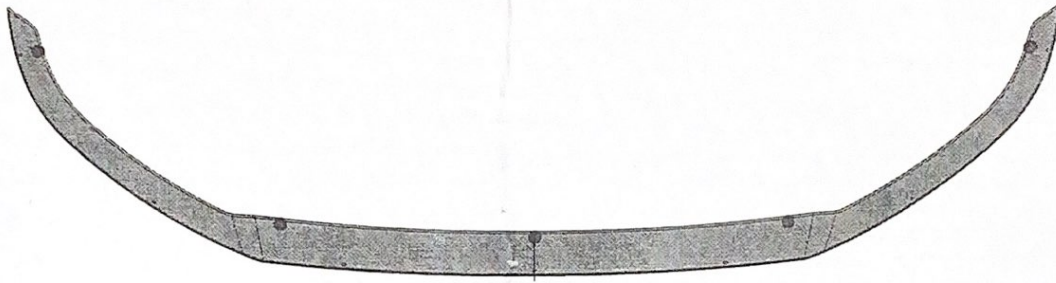


Parts Supplied:

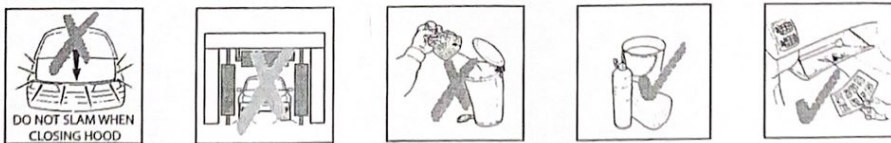
Item	Qty	Description	Item	Qty	Description
A	1	Hood Protector	G	7	Small Screw
B	5	Push On Clip	H	2	Large Washer
C	2	Fixed Metal Clip	I	7	Small Washer
D	2	Fastener	J	7	Large Abrasion Resistant Tape
E	7	Nut Insert	K	5	Small Abrasion Resistant Tape
F	2	Self Tapping Screw	L	1	Alcohol Wipe

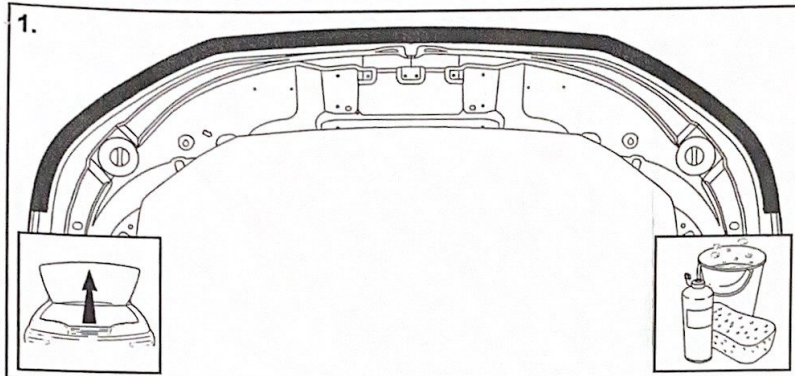


Tools Required:

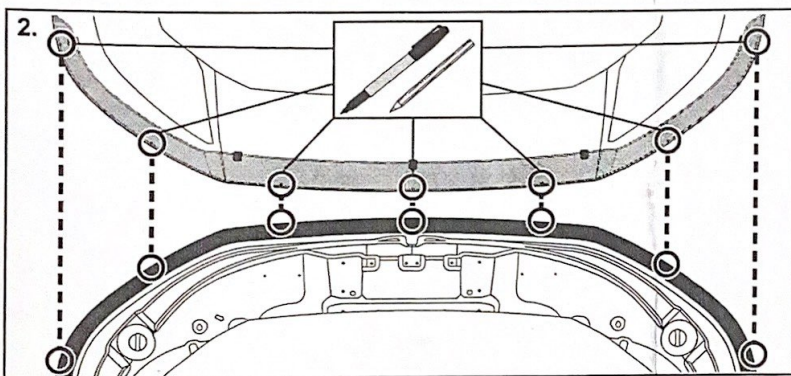


General Care:

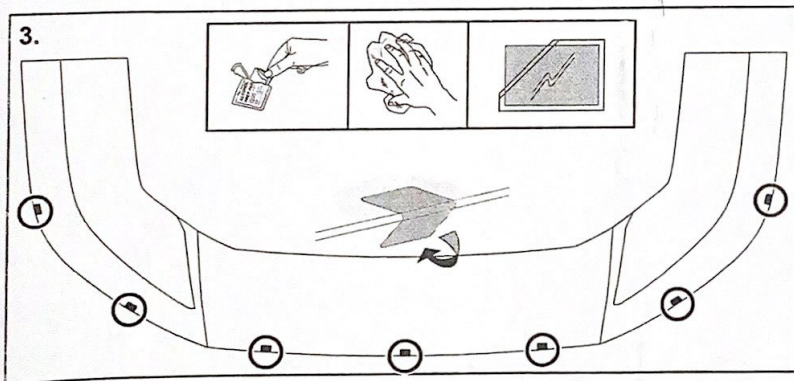




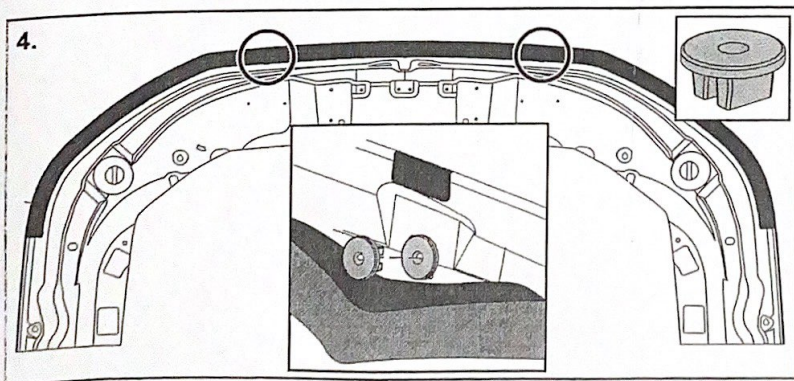
- Open the hood and thoroughly clean and dry the top and underside of the hood and surrounding areas.



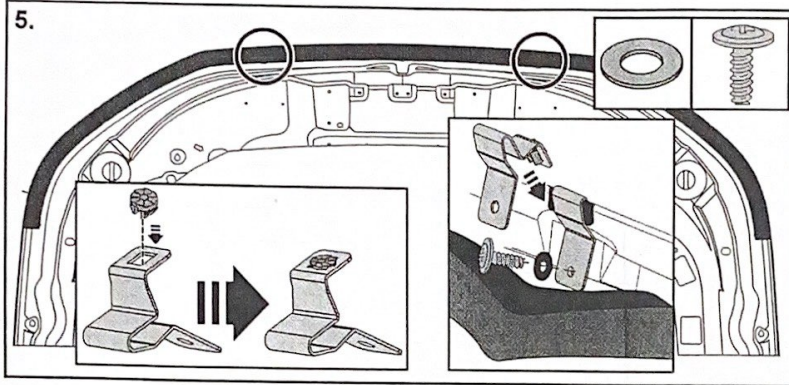
- Trial fit the Hood Protector centrally onto the hood.
- With a Non-Permanent Marker or Pencil mark the two slots and five holes which correspond to the hood.
- Remove the hood protector.



- Clean the previously marked positions with the alcohol wipe provided. Allow to dry.
- At the seven locations adhere the seven Large Abrasion Resistant tapes over the hood lip.
- Apply the tape so that approximately two thirds of each strip is on the front surface of the hood and one third folds over the underside edge.

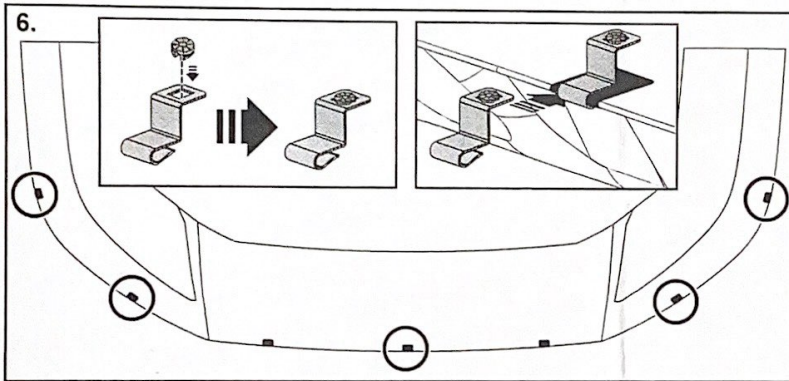


- At the two indicated locations, pull the rubber trim and fit the two Fasteners into the square holes of the hood.



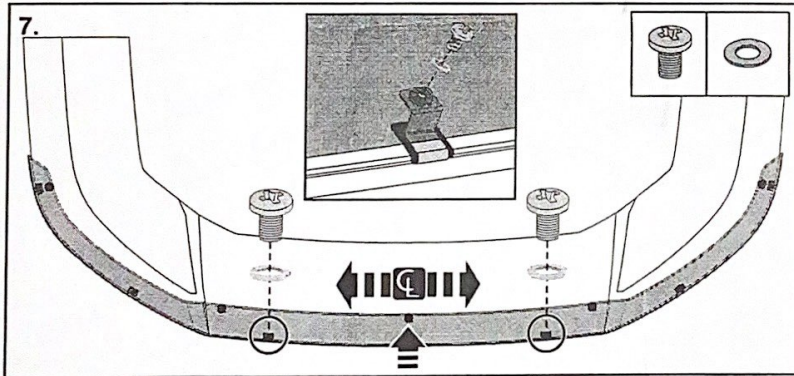
- Fit the Nut Inserts into the square holes of the Fixed Metal Clips.
- At the two Fixed Metal Clip locations, pull the rubber trim and install the Fixed Metal Clip over the Abrasion Resistant Tapes.
- Secure the Fixed Metal Clips using Large Washer and Self Tapping Screw.

IMPORTANT: Ensure the clips rest over the abrasive resistant tape and do not come in contact with hood paint work. Failure to do this may result in permanent damage.

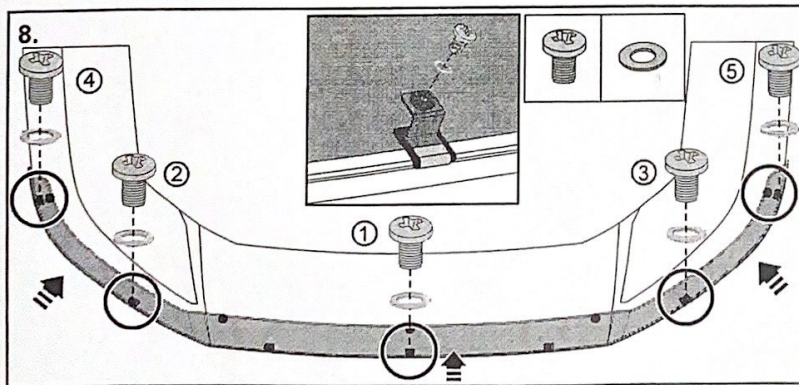


- Fit the Nut Inserts into the square holes of the Push On Clips.
- At the previously marked five locations, install the Push On Clips over the Abrasion Resistant Tapes.

IMPORTANT: Ensure the clips rest over the abrasive resistant tape and do not come in contact with hood paint work. Failure to do this may result in permanent damage.

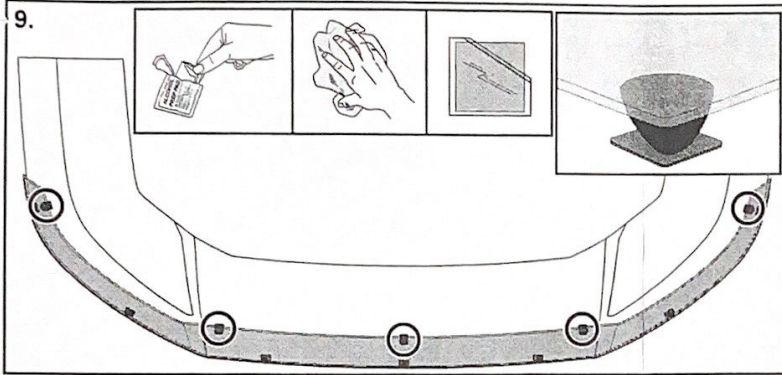


- Centralise and fasten the Hood Protector to both Fixed Metal Clips with two of the Small Screws and Small Washers to the hood.



- Fasten the Hood Protector to all five Push On Clips with five of the Small Screws and Small Washers in the order as indicated.

9.



- Clean underneath of each bumpon with the alcohol wipe provided. Allow to dry.
- Adhere a Small Abrasion Resistant Tape directly underneath each Bumpon.