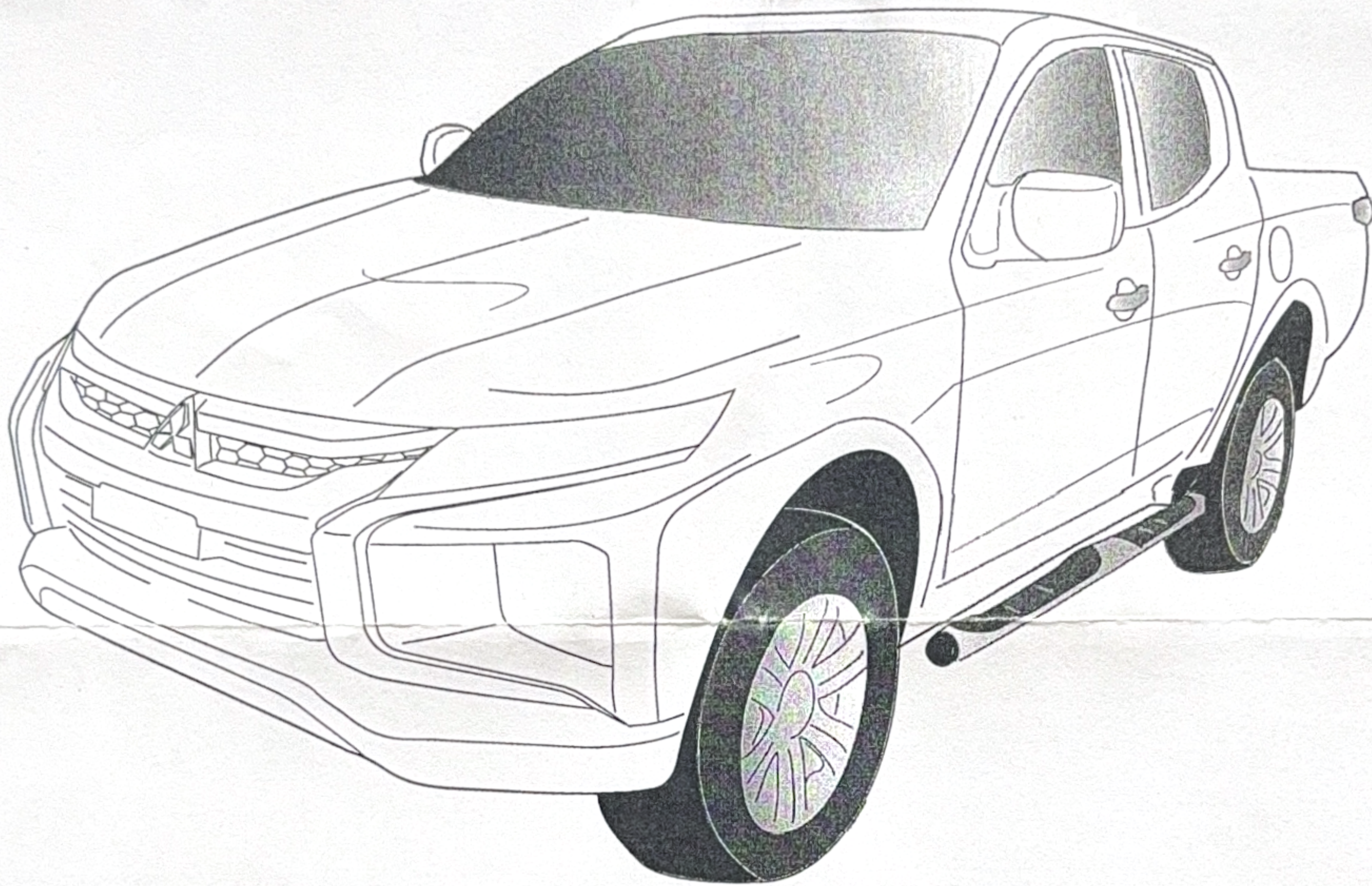




MITSUBISHI MOTORS
GENUINE PARTS

FITTING INSTRUCTION

HOOD PROTECTOR



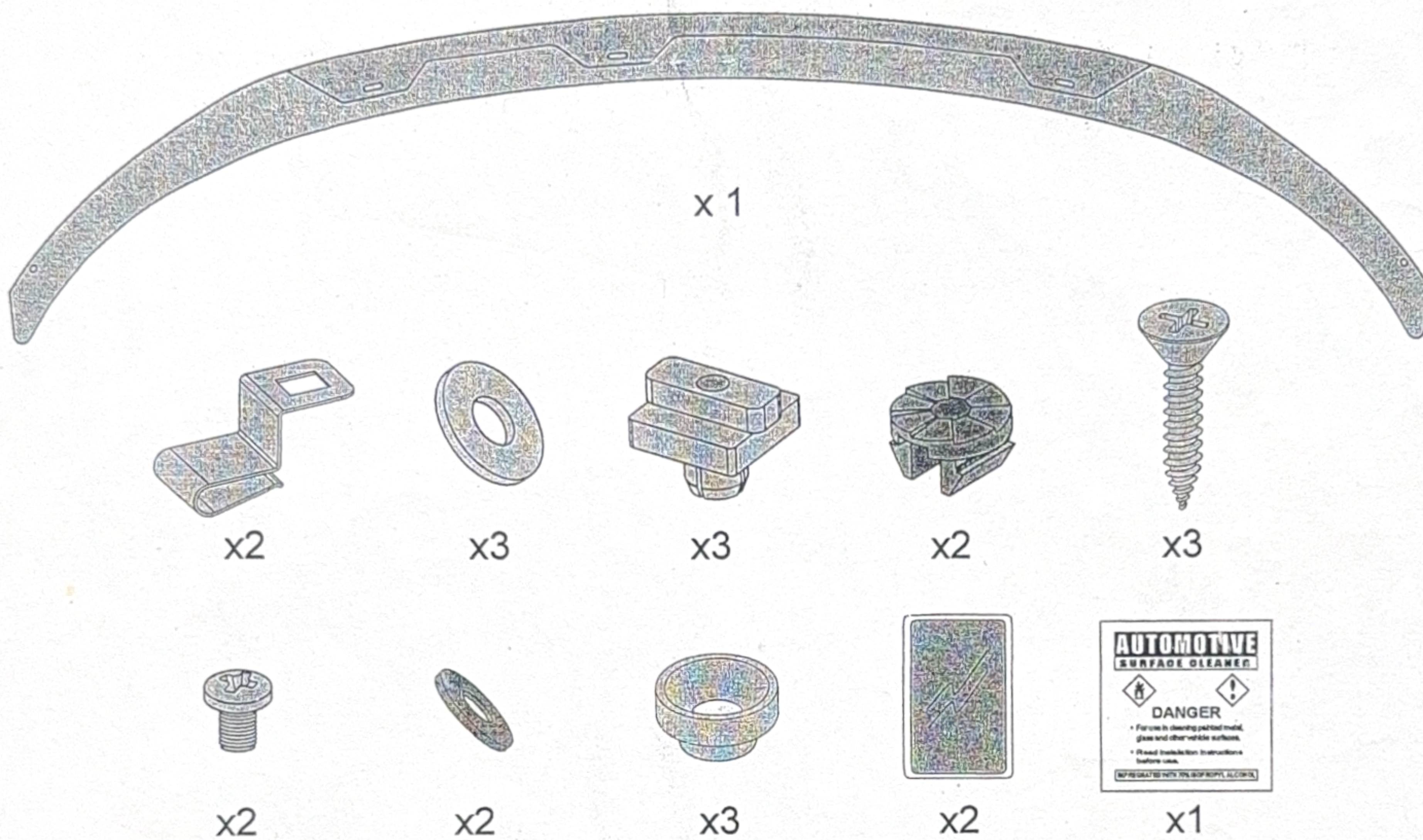
MZ350643 (Tinted)	✓	✓	✓	✓	✓	✓	✓	
MZ350644 (Clear)	✓	✓	✓	✓	✓	✓	✓	

Model Name	Issue	Date	Page
KJ0	1	15/08/2018	1 of 4

Place these instructions in the vehicle's glove box after installation is complete.

Please read these instructions carefully prior to installation.
 Please refer to your fitting instruction to ensure that the product is installed in the correct location.
 Check the contents of kit before commencing fitment and report any discrepancies.

Parts Supplied:



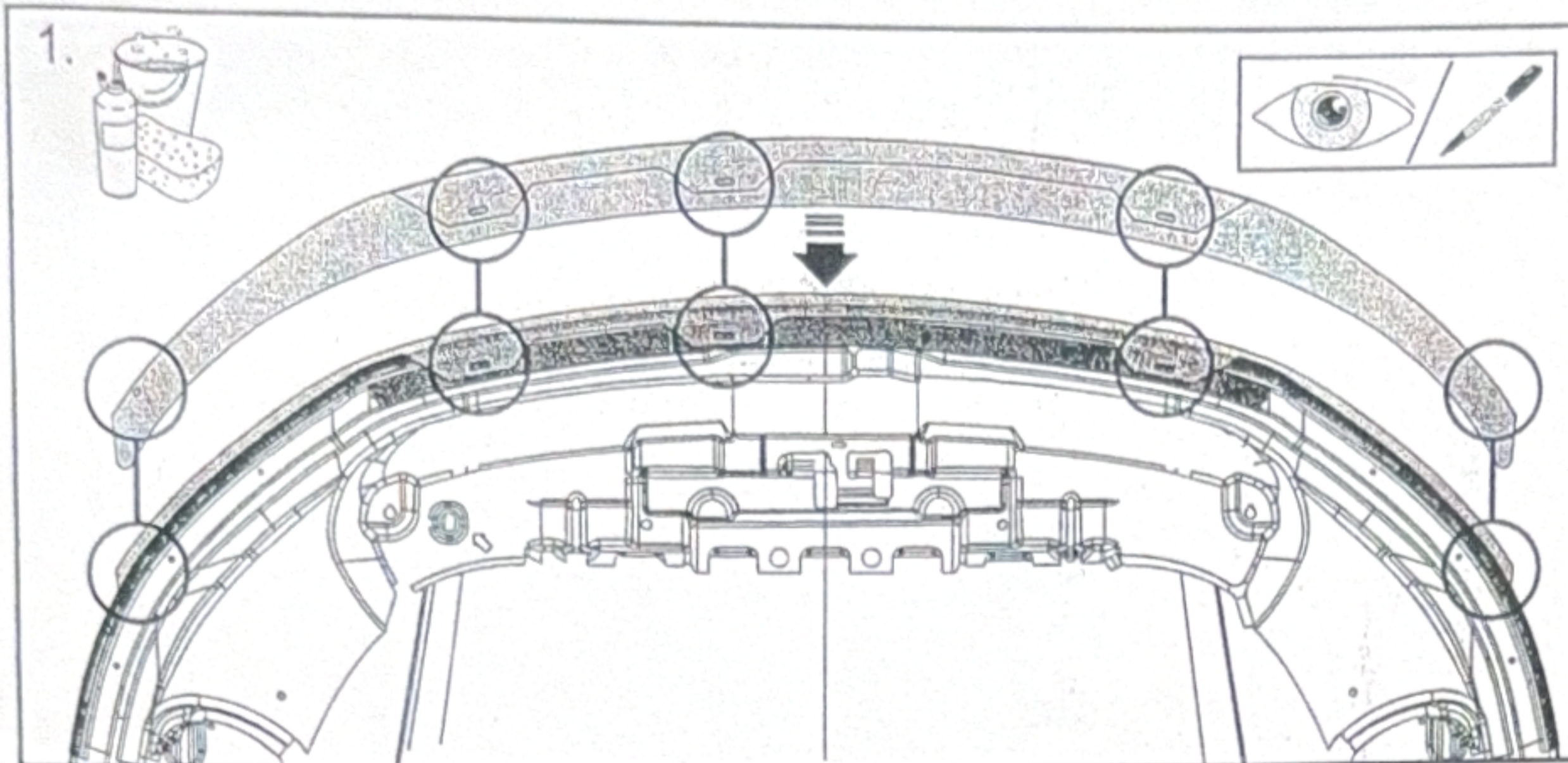
Tools Required:



General Care:

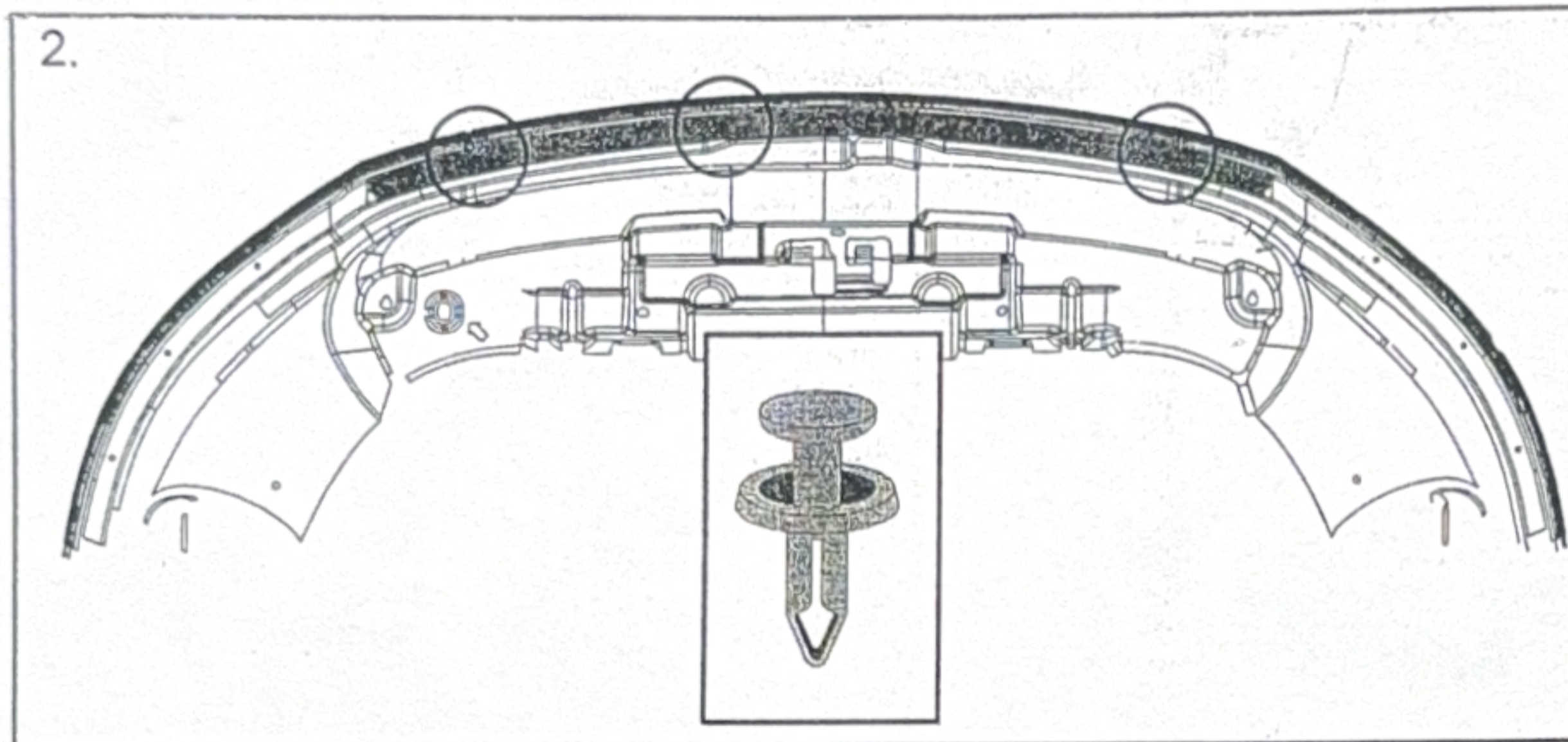


Model Name	Issue	Date	Page
KJ0	1	15/08/2018	2 of 4

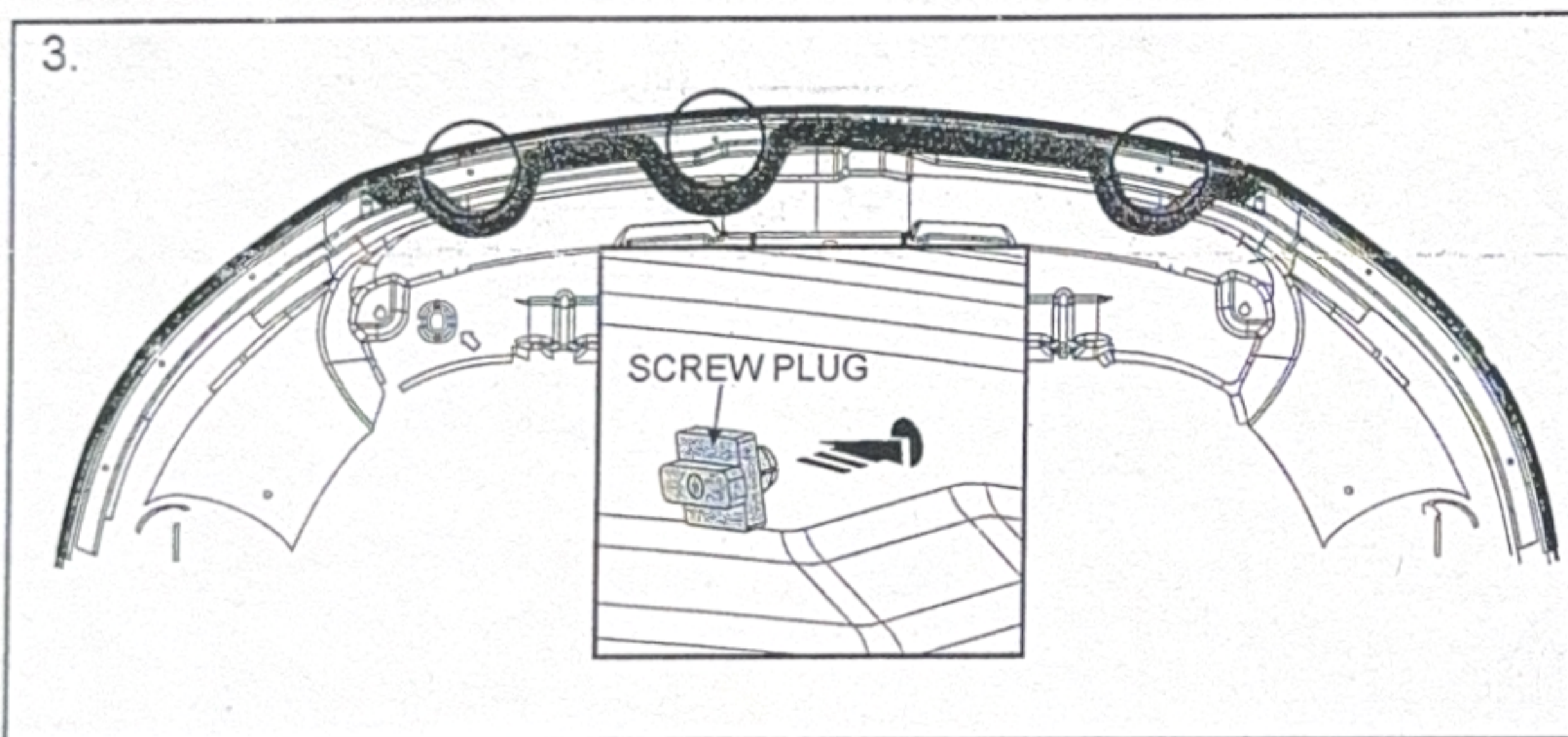


Open the bonnet and thoroughly clean and dry the hood and surrounding areas.

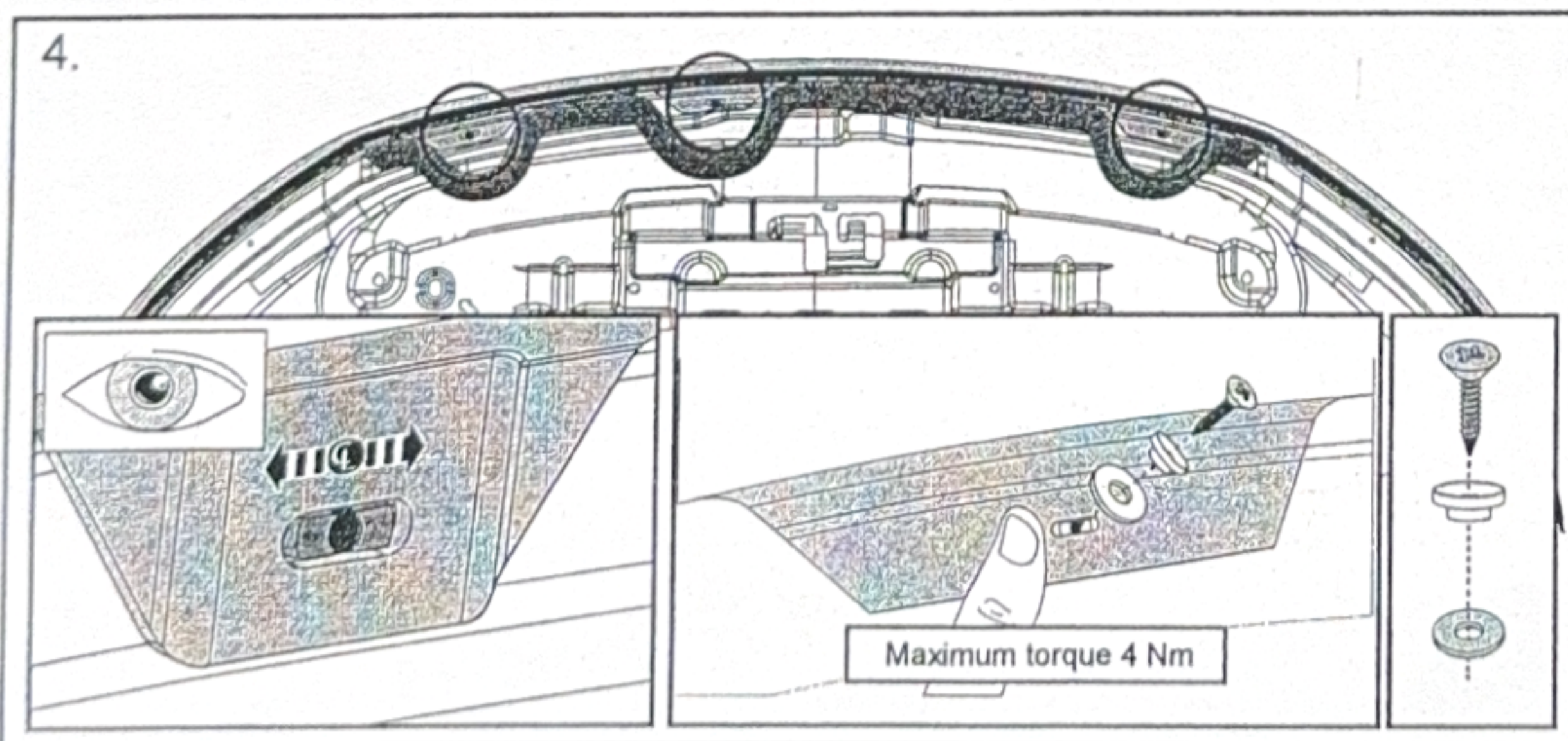
Trial fit the Hood Protector centrally onto the hood. With a non-permanent marker or pencil, note the positions of the acrylic tags and the three centre slots in the Hood Protector that correspond with the rubber extrusion. Also note and mark the two metal wing clip locations.



Pull the rubber extrusion off the hidden scrivenets, remove the three previously noted scrivenets and discard.



Insert the screw plugs provided into the three vacant holes.

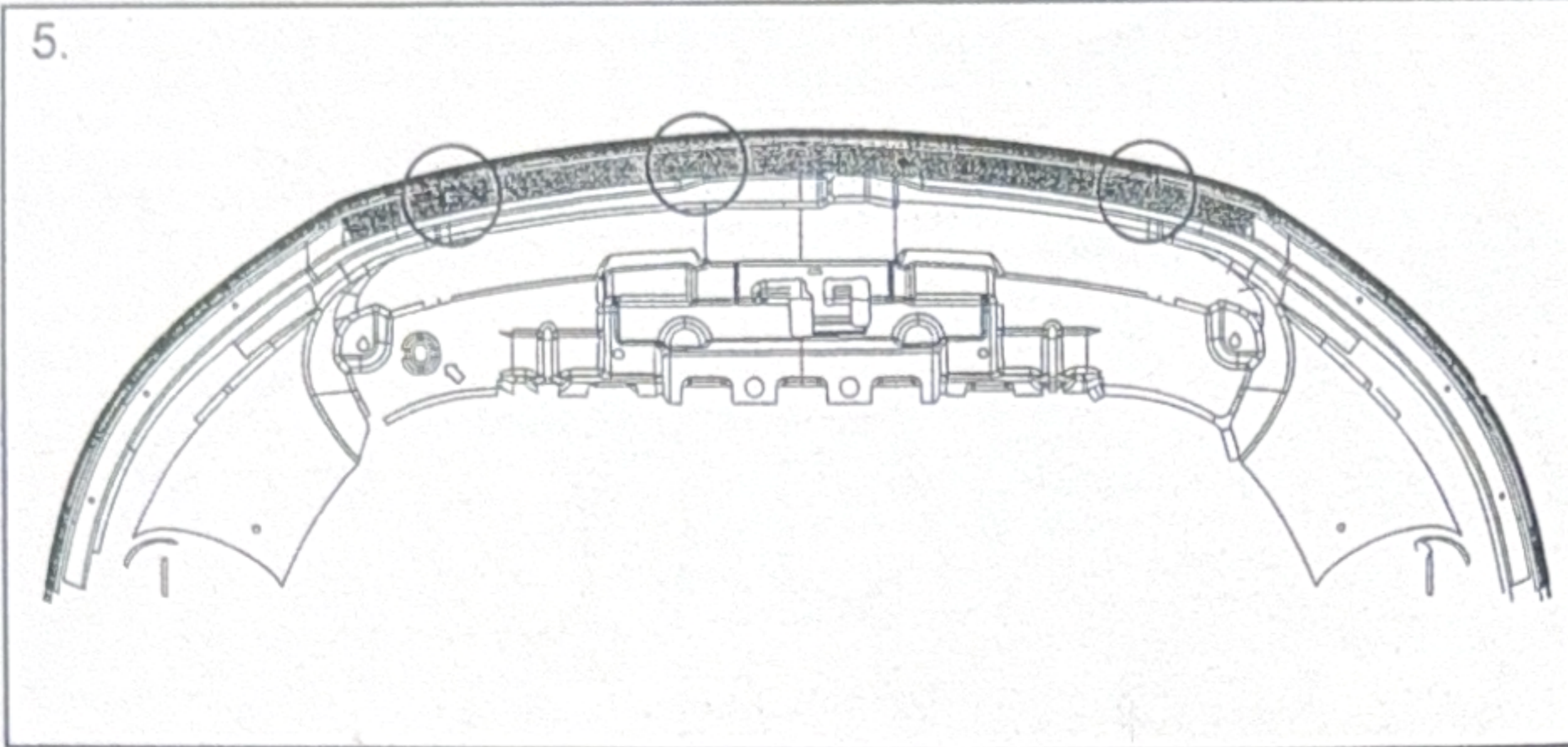


Re-install the Hood Protector, ensuring that the collar of the screw plugs locate into the slots in the Hood Protector tags, in the orientation shown. Insert the three self-tapping screws through the plastic screw cap, and nylon washers into the screw plugs, but do not fully tighten. Ensure the Hood Protector is centrally located between hood and the rubber extrusion, then fully tighten the screws.

DO NOT OVERTIGHTEN.

Model Name	Issue	Date	Page
KJ0	1	15/08/2018	3 of 4

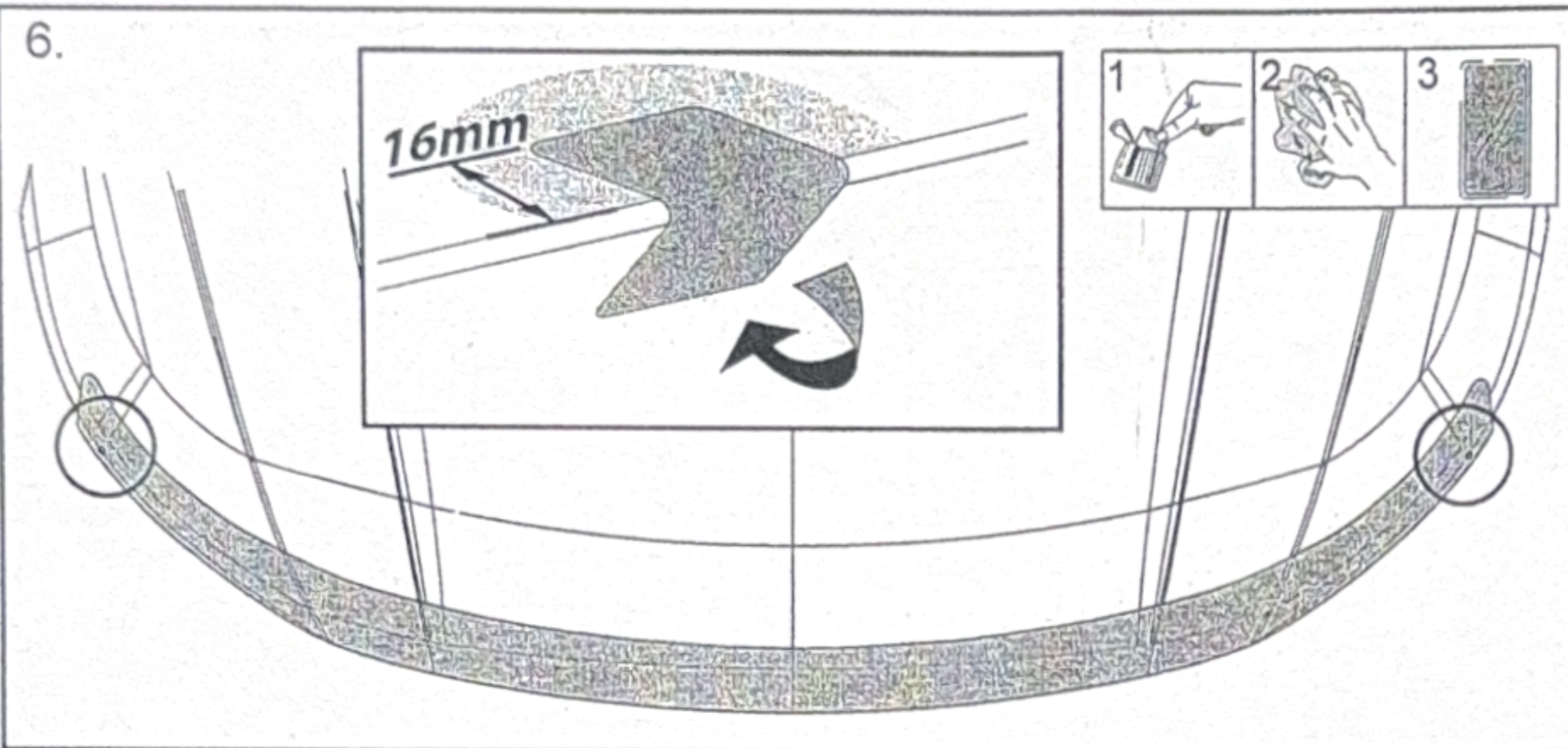
5.



Stretch the existing holes in the rubber extrusion over the plastic screw caps.

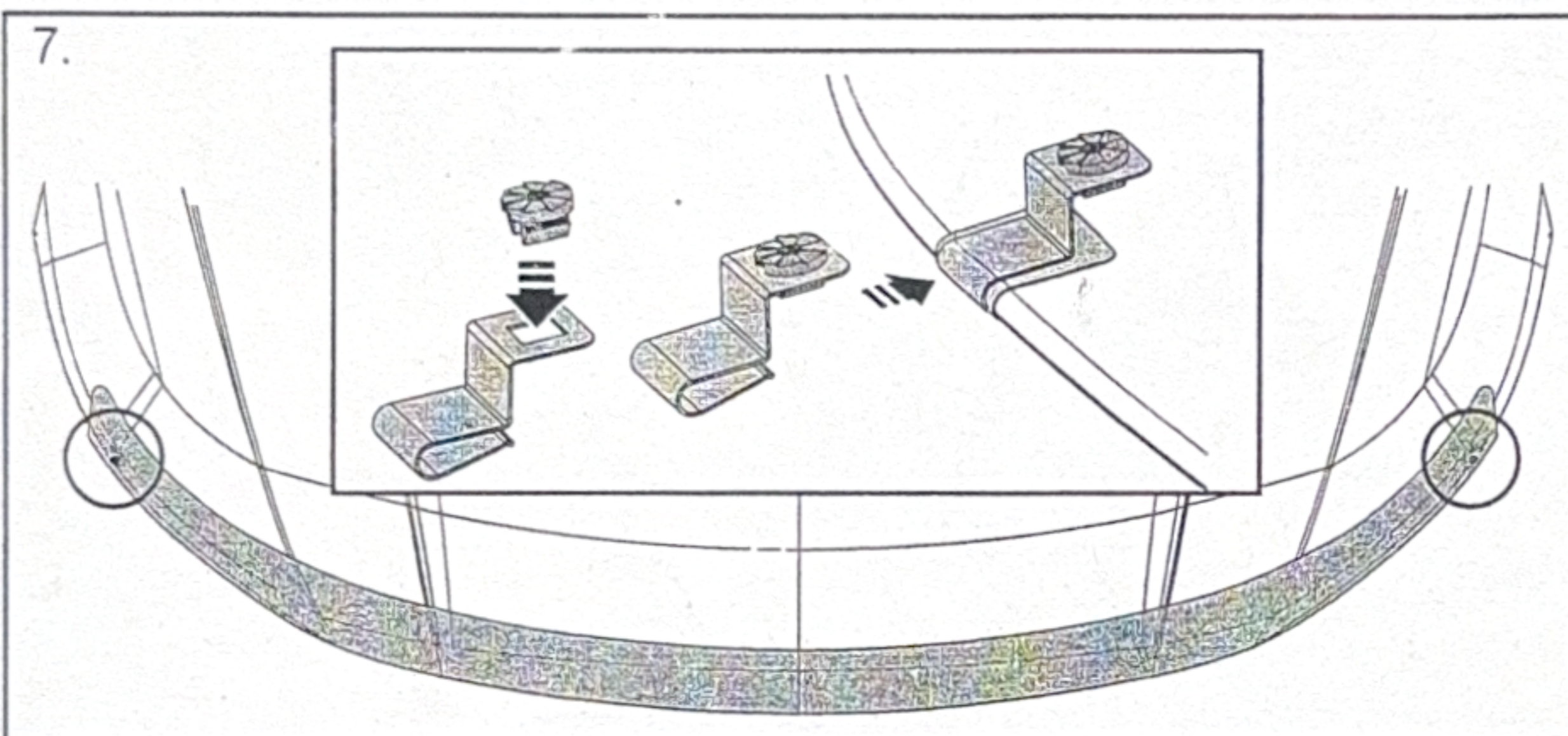
Important: Ensure rubber extrusion is fully seated over the plastic screw caps.

6.



Clean the noted areas under the wing clip locations with the alcohol wipe provided. Wipe off any residue with a clean, dry cloth. Adhere the small abrasive resistant tape strips over the hood lip. Apply the tape so that approximately half of each strip is on the top surface of the hood and half is on the underside.

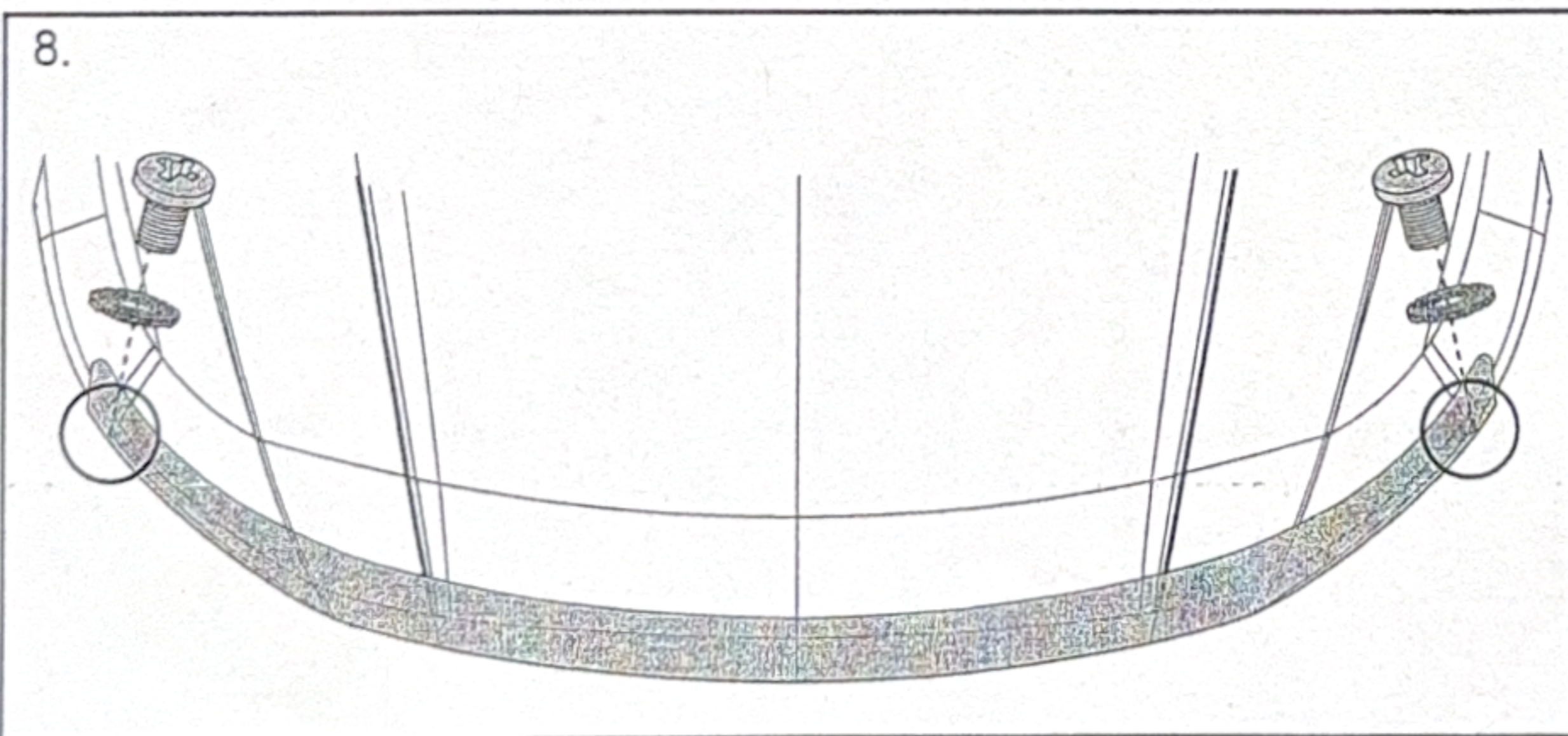
7.



Fit the nut insert into metal wing clips. Slide the metal wing clips over the abrasive resistant tape strips on the hood lip.

IMPORTANT: Ensure that the clips are positioned over abrasive resistant tape and do not come in contact with any of the hood's paint work. Failure to do this may result in permanent paint damage.

8.



Fasten the Hood Protector wing clips with the screws and small washers provided.

To Remove: Reverse above procedure.

Note: Check tension of part periodically, and tighten screws if required.

Model Name	Issue	Date	Page
KJ0	1	15/08/2018	4 of 4