

Bonnet Protector
Fitting Instructions

– General Notes

- Read through the fitting instructions before installation of the accessory. Install the accessory following the fitting instructions. Failure to do so may cause damage to the vehicle or the accessory.
- Ensure all recyclable discarded vehicle accessory components and packaging are recycled following local recycling regulations.
- It is always recommended that this accessory is fitted by a qualified Hyundai Technician.
- Safely store and protect any removed vehicle components.
- Ensure all bare metal surfaces are protected using automotive bare metal primer and touch-up paint, or suitable automotive rust inhibitor.
- Remove all metal swarf and dust from all vehicle surfaces if surface is used for accessory installation.

– Safety Notes

- Check that all work practices comply with safety standards.
- Please wear appropriate clothing and use safety equipment.



– Cleaning Notes

- Spray with a firm water spray to remove any loose dirt, then wash with water, detergent and a soft cloth or sponge.
- Do not use petroleum based solvents or abrasives.

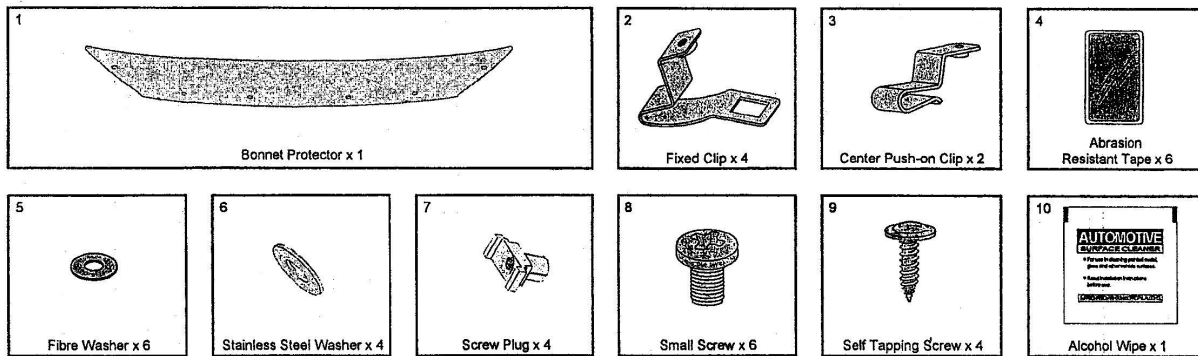


– Fitting Time

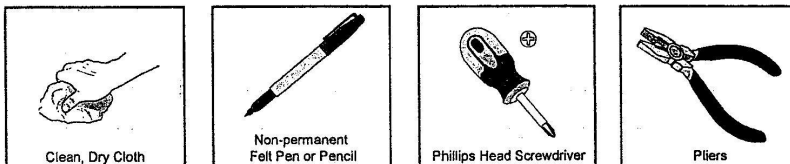


Est. 20 Minutes

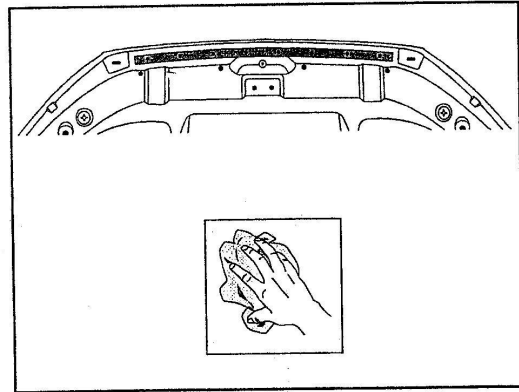
– Parts Supplied



– Tools Required



1. • Open the bonnet and thoroughly clean and dry the bonnet and surrounding areas.

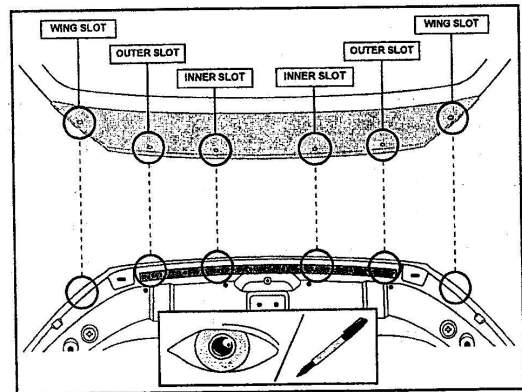


Tools Used

- Clean, Dry Cloth

– Step 2

- Trial fit the Bonnet Protector centrally onto the bonnet.
- Note the four scrivenets in the rubber gasket on the underside of the bonnet that correspond with the two inner slots and two outer slots of the Bonnet Protector.
- Note the areas of the bonnet that correspond to the wing slots of the Bonnet Protector.
- Remove the Bonnet Protector.

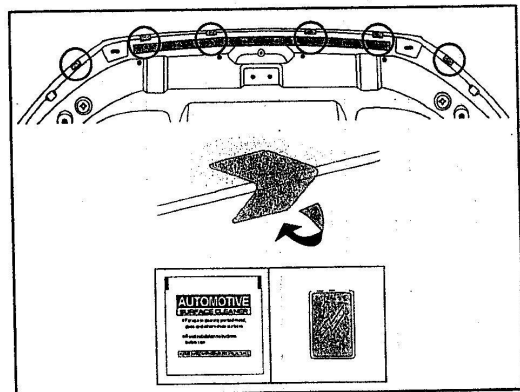


Tools Used

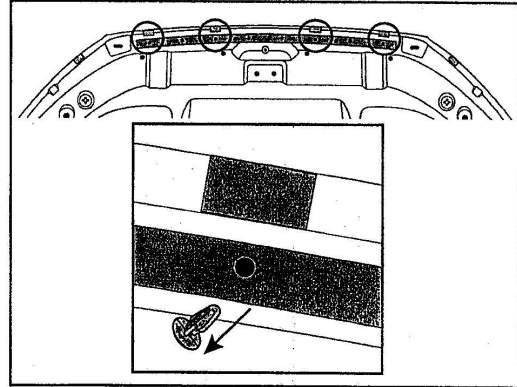
- Non-permanent Felt Pen or Pencil

– Step 3

- Clean the six previously noted positions with the alcohol wipe provided. Allow to dry.
- Apply the abrasion resistant tape so approximately half of each strip is adhered to the top side and half is adhered to the underside of the bonnet.



- 4
- Remove the four previously noted scrivenets from the rubber gasket.
 - Discard the scrivenets.




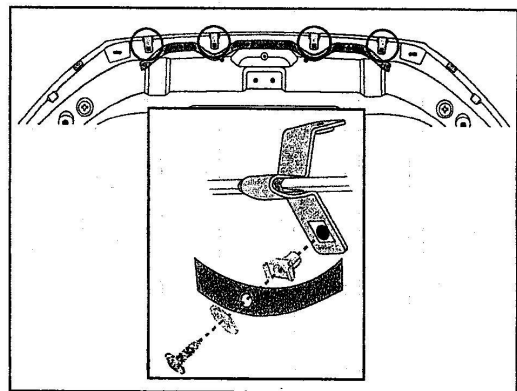
Tools Used

- Pliers

Step 5

- Position the fixed clips onto the bonnet.
- Press the screw plugs through the clips into the bonnet.
- Fasten the fixed clips to the bonnet by placing the stainless steel washer on the self-tapping screw then inserting through the rubber gasket and into screw plugs, fully tighten the screws.

Important  Ensure that the clips are positioned over the Abrasion Resistant Tape and do not come into contact with the bonnet.




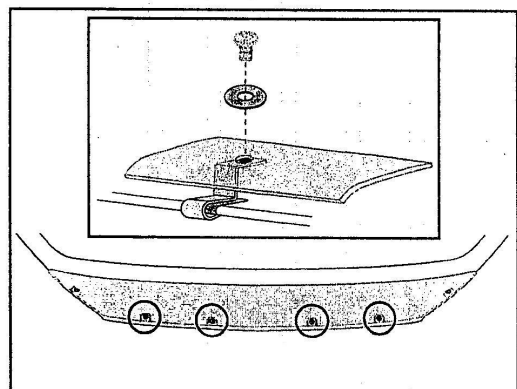
Tools Used

- Phillips Head Screwdriver

Step 6

- Loosely secure the Bonnet Protector to the four clips with the small screws and fibre washers provided.
- Check the Bonnet Protector is centered on the bonnet, then fully tighten the screws.

Important  Do not over-tighten screws.



Tools Used

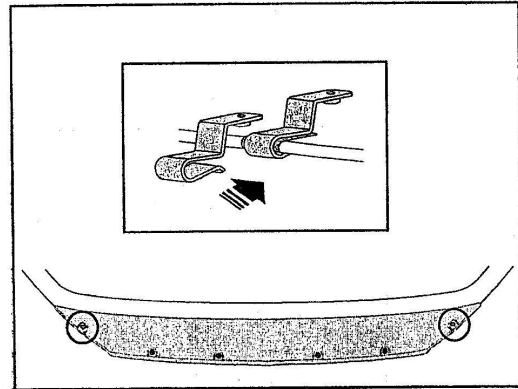
- Phillips Head Screwdriver

7.

- Push the outer push-on clips onto the bonnet lip over the abrasion resistant tape.



Important Ensure that the clips are positioned over the Abrasion Resistant Tape and do not come into contact with the bonnet.



- Step 8

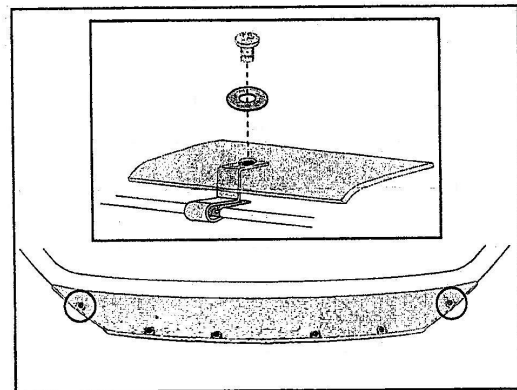
- Fasten the Bonnet Protector to the two clips with the small screws and fibre washers provided.



Important Do not over-tighten screws.



Please place the Installation Instructions in the glove box after installation is completed.



Tools Used

- Phillips Head Screwdriver