

RAV 4

January 2019 Production Onwards ACRYLIC BONNET PROTECTOR Installation Instructions

Place these instructions in vehicle's glove box after installation is complete

Care Instructions:



Do not slam bonnet.



Clean Bonnet Protector with a mild detergent and water solution.



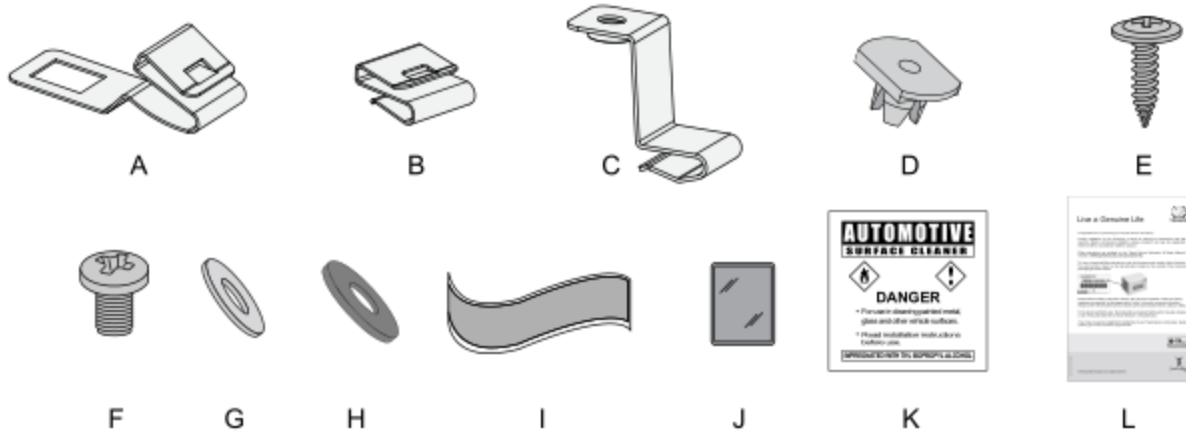
Do not use automatic car wash.



Do not use abrasive, spirit or solvent based cleaners.

Item	Component Name	Qty	Part number
1	Bonnet Protector (Clear) or Bonnet Protector (Tinted)	1	PZQ15-42110 or PZQ15-42120
2	Push-on Metal Fixed Clip	2	PZQ15-4211A (Clear) or PZQ15-4212A(Tinted)
	Push-on Metal Clip Inner	2	
	Push-on Metal Clip Outer	2	
	Screw Plug	2	
	Self Tapping Screw	2	
	Small Screw	2	
	Fibre Washer	2	
	Neoprene Washer	2	
	Anti-Abrasive Tape - Large	4	
	Anti-Abrasive Tape - Small	6	
	Alcohol Wipe	1	
	Fitting Instruction Flyer	1	

Item	Qty	Description	Item	Qty	Description
A	2	Push-on Metal Fixed Clip	G	2	Fibre Washer
B	2	Push-on Metal Clip Inner	H	2	Neoprene Washer
C	2	Push-on Metal Clip Outer	I	4	Anti-Abrasive Tape - Large
D	2	Screw Plug	J	6	Anti-Abrasive Tape - Small
E	2	Self Tapping Screw	K	1	Alcohol Wipe
F	2	Small Screw	L	1	Fitting Instruction Flyer



FITTING KIT
PZQ15-4211A (Clear/
PZQ15-4212A(Tinted)

BONNET PROTECTOR
PZQ15-42110 (clear)/
PZQ15-42120 (tinted)

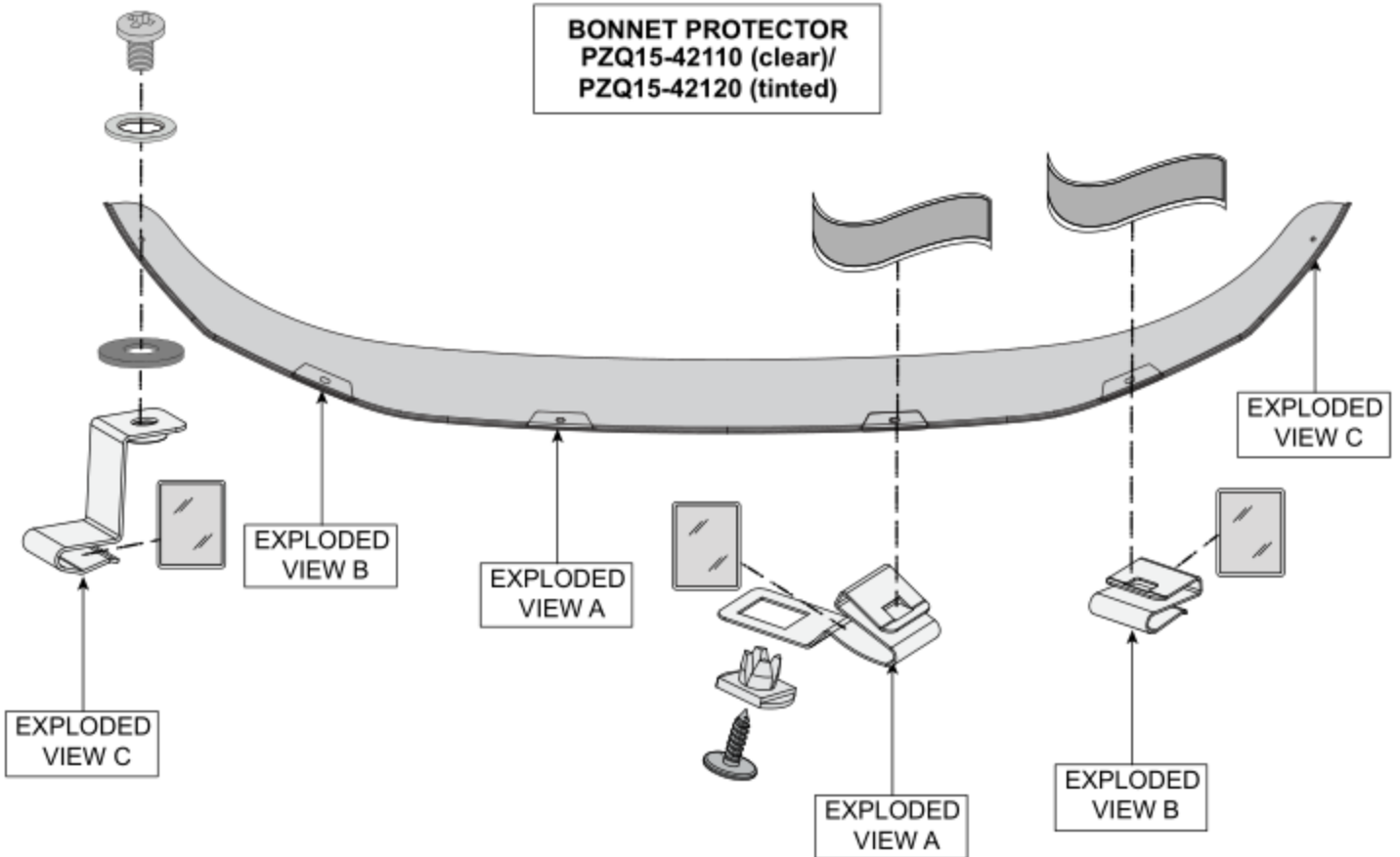


IMAGE IS FOR REFERENCE ONLY

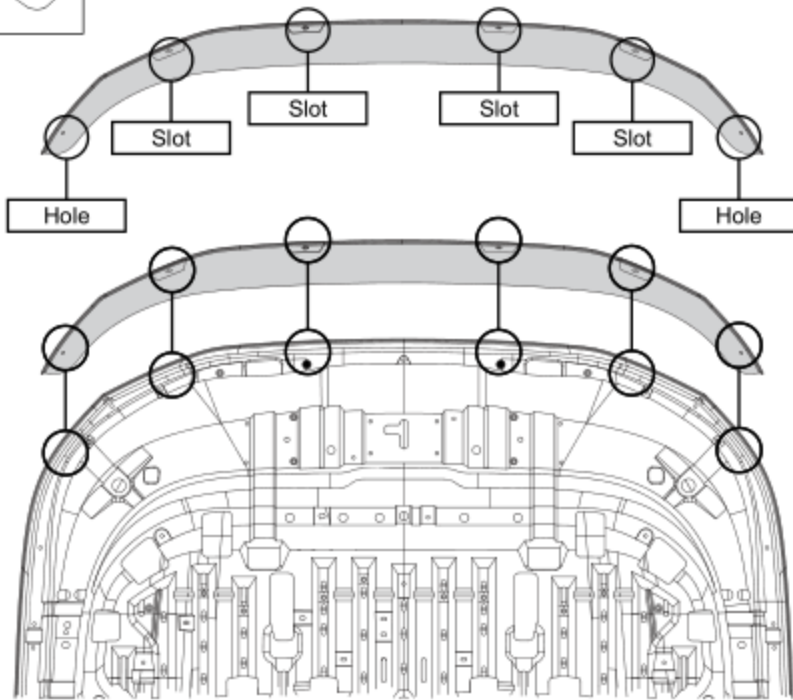


Diagram #: 1

1. Read installation instructions thoroughly before commencing installation.

Open and thoroughly clean and dry the bonnet.

Trial fit the bonnet protector centrally onto the bonnet.

Note and mark the location of the four tags on the Bonnet Protector and where they correspond to the top of the bonnet.

Note and mark where the two central slots in the tags are aligned with the holes in the underside of the bonnet.

Note and mark where the two slots in the outer tags correspond with the bonnet lip.

Note and mark where the outer holes on the Bonnet Protector correspond with the bonnet lip.

Remove Bonnet Protector.
See Dia #1.

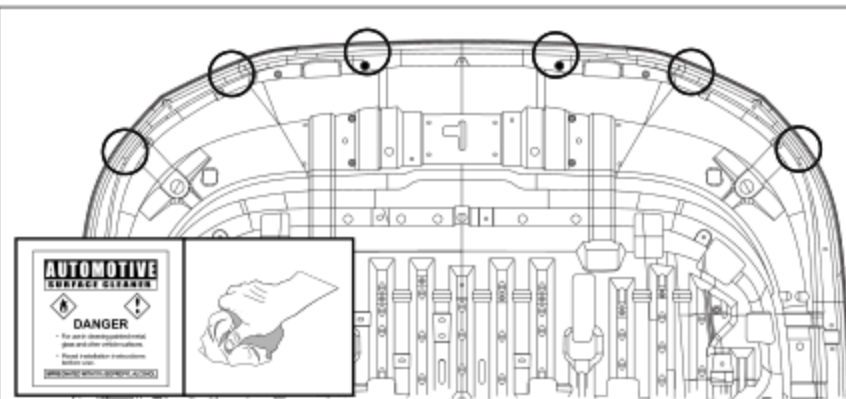


Diagram #: 2

2. Clean the topside and underside of the bonnet at the previously noted areas with the alcohol wipe provided. Wipe off any residue with a dry clean cloth.
See Dia #2.

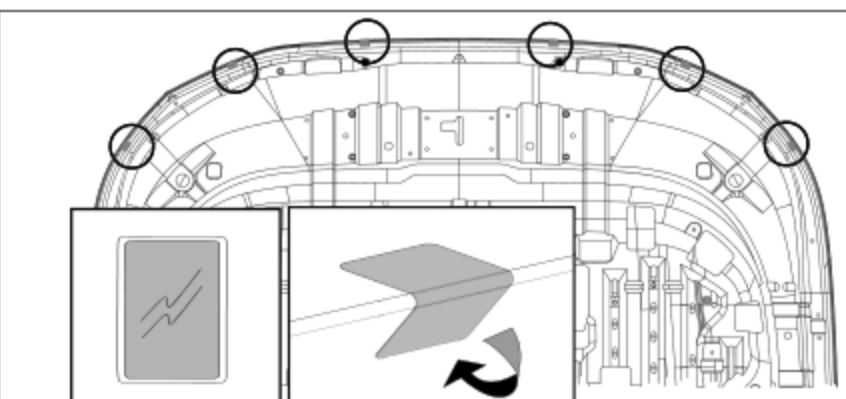


Diagram #: 3

3. Adhere the small anti-abrasive tapes at the previously marked positions on the bonnet. Apply the tape so approximately half of the tape is on the topside and half is on the underside of the bonnet.
See Dia #3

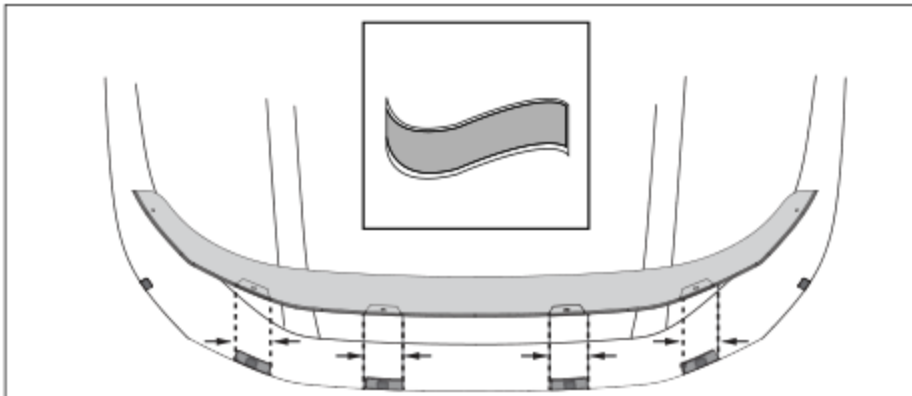


Diagram #: 4

4. Sit the Bonnet Protector back from the front lip of the bonnet. Adhere the four large abrasive resistant tapes flush with the front edge of the bonnet at the four tag locations. **See Dia #4.**

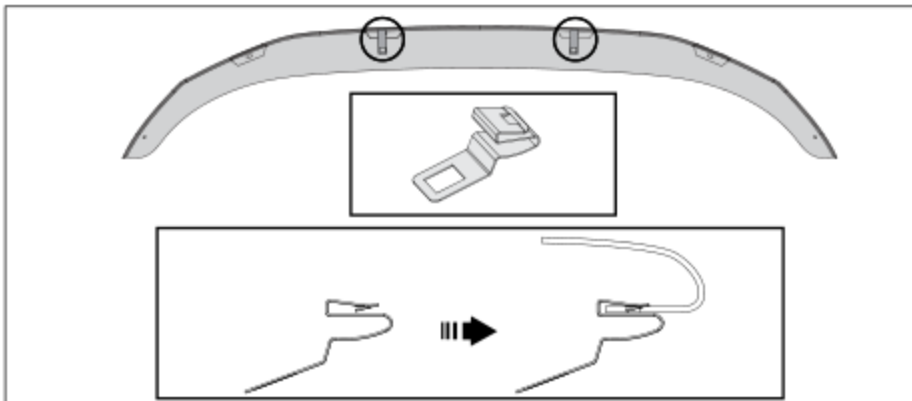


Diagram #: 5

5. Push the two push-on metal fixed clips onto the acrylic tags of the Bonnet Protector. A definite click should be heard when the acrylic tag engages with the metal clip. **See Dia #5**

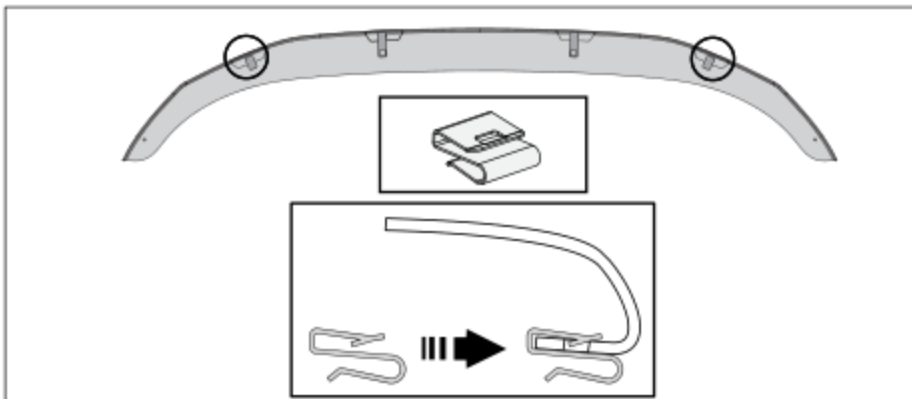


Diagram #: 6

6. Push the two push-on metal clips inner onto the acrylic tags of the Bonnet Protector. A definite click should be heard when the acrylic tag engages with the metal clip. **See Dia #6**

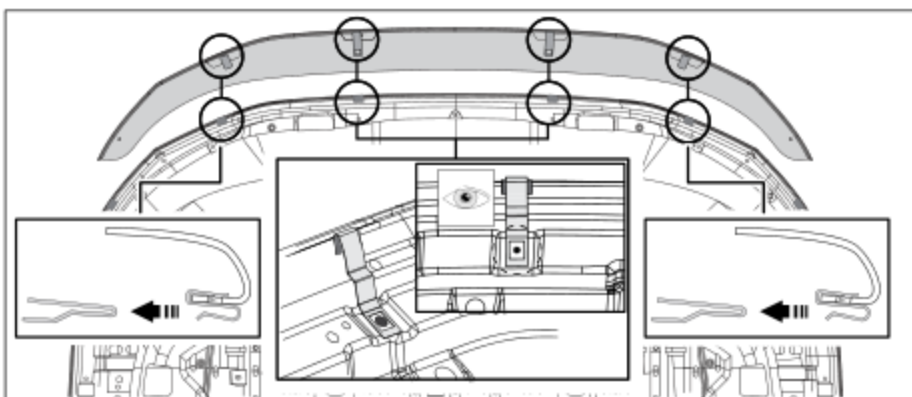


Diagram #: 7

7. Install the Bonnet Protector. Ensure that it is central on the bonnet. Slide the push-on metal fixed clips onto the bonnet lip over the previously adhered abrasive resistant tapes. Ensure rectangular holes on the fixed clips are centrally aligned with round holes in bonnet. Slide the push-on metal clip inner onto the bonnet lip over the previously adhered abrasive resistant tapes. **See Dia #7.**

IMPORTANT: Ensure that the clips are positioned over anti-abrasive tape and do not come into contact with any of the bonnet's paint work. Failure to do so may result in permanent paint damage.

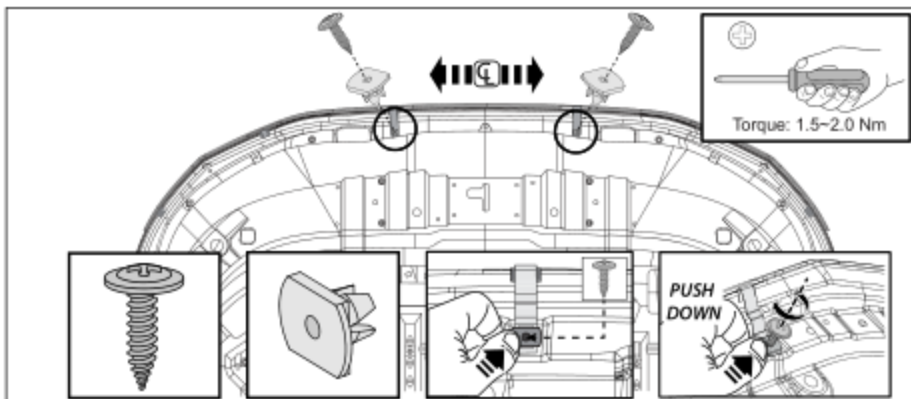


Diagram #: 8

8. Insert the screw plugs through the rectangular holes of the fixed clips into the bonnet.

While pushing the screw plug down against the clip insert the two self-tapping screws into the screw plugs, but do not fully tighten.

Ensure the screw plug does not rotate out of position while inserting the screw and that the Bonnet Protector is centrally located on the bonnet.

Fully tighten the two screws.

See Dia #8.

Note: Ensure torque setting 1.5~2.0Nm is used.

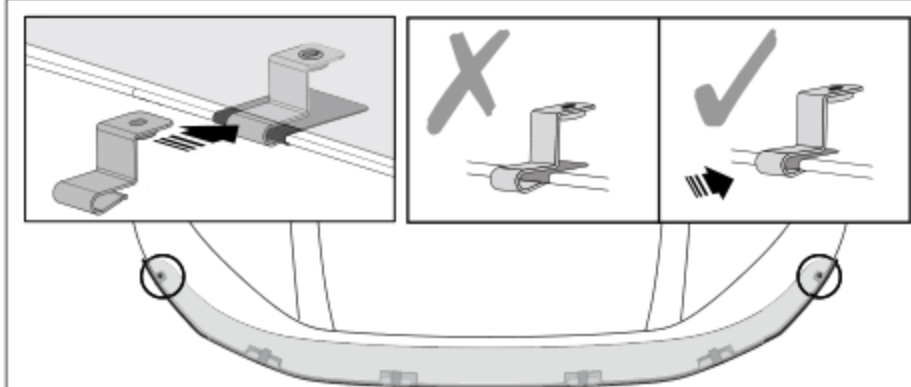


Diagram #: 9

9. Slide the two push-on metal outer clips onto the bonnet locating them over the anti-abrasive tape strips as shown.

See Dia #9.

IMPORTANT: Ensure that the clips are positioned over anti-abrasive tape and do not come into contact with any of the bonnet's paint work. Failure to do so may result in permanent paint damage.

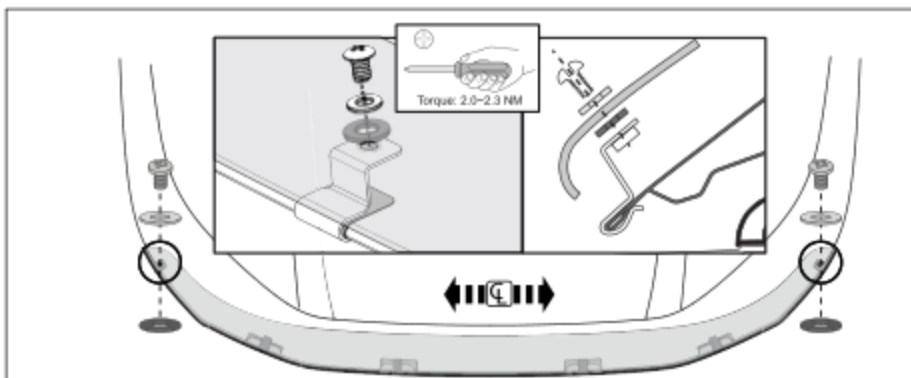


Diagram #: 10

10. Loosely secure the Bonnet Protector to the two outer push-on metal clips with the screws, fibre washers and neoprene washers. The neoprene washer goes in between the Bonnet Protector and the Metal clip.

Check the Bonnet Protector is sitting centrally on the bonnet.

Tighten all the screws.

See Fig #10.

Note: Ensure torque setting 2.0~2.3Nm is used.

TO REMOVE: Reverse the above procedures.

IMPORTANT: Conduct final inspection, ensuring all fasteners are tightened, and clips are correctly installed and not touching painted surfaces. Close bonnet and check clearances at all edges for interference and adjust if necessary.