

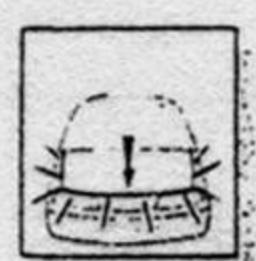
BONNET GUARD

INSTALLATION INSTRUCTIONS

FOR:RAV4 2014

Place these instructions in vehicle's glove box after installation is complete

Care Instructions:



Do not slam bonnet.



Clean Bonnet Protector with a mild detergent and water solution.



Do not use automatic car wash.



Do not use abrasive cleaners.

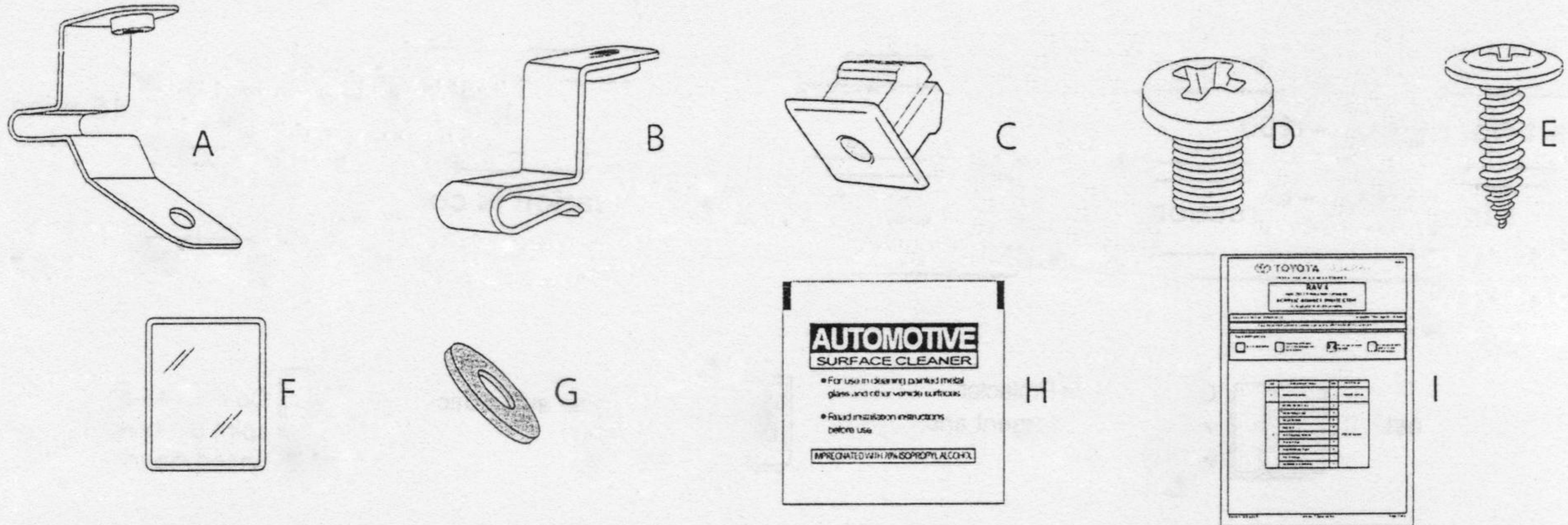
Item	Component Name	Qty	Part number
1	Bonnet Protector	1	PZQ15-42100
2	Fixed Metal Clips	2	PZQ15-42100FK
	Push-on Clips	4	
	Small Screws	6	
	Washers	6	
	Anti-Abrasive Tape	6	
	Self Tapping Screws	2	
	Screw Plugs	2	
	Alcohol Wipe	1	
	Installation Instruction	1	

BONNET GUARD

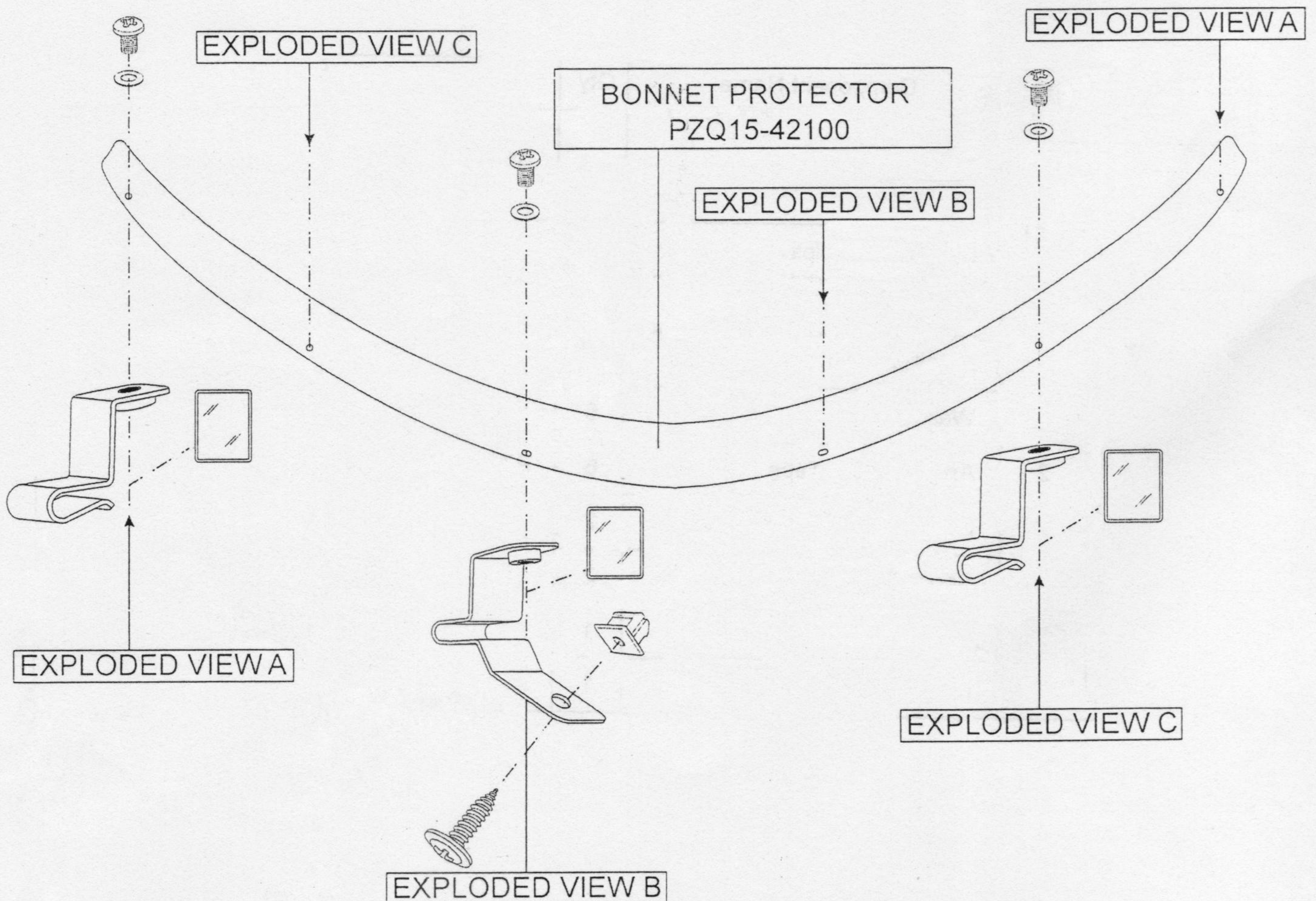
INSTALLATION INSTRUCTIONS

FOR:RAV4 2014

Item	Qty	Item	Qty		
A	2	Fixed Metal Clips	F	6	Anti-Abrasive Tape
B	4	Push-on Clips	G	6	Washer
C	2	Screw Plugs	H	1	Alcohol Wipe
D	6	Small Screws	I	1	Installation Instruction
E	2	Self Tapping Screws			



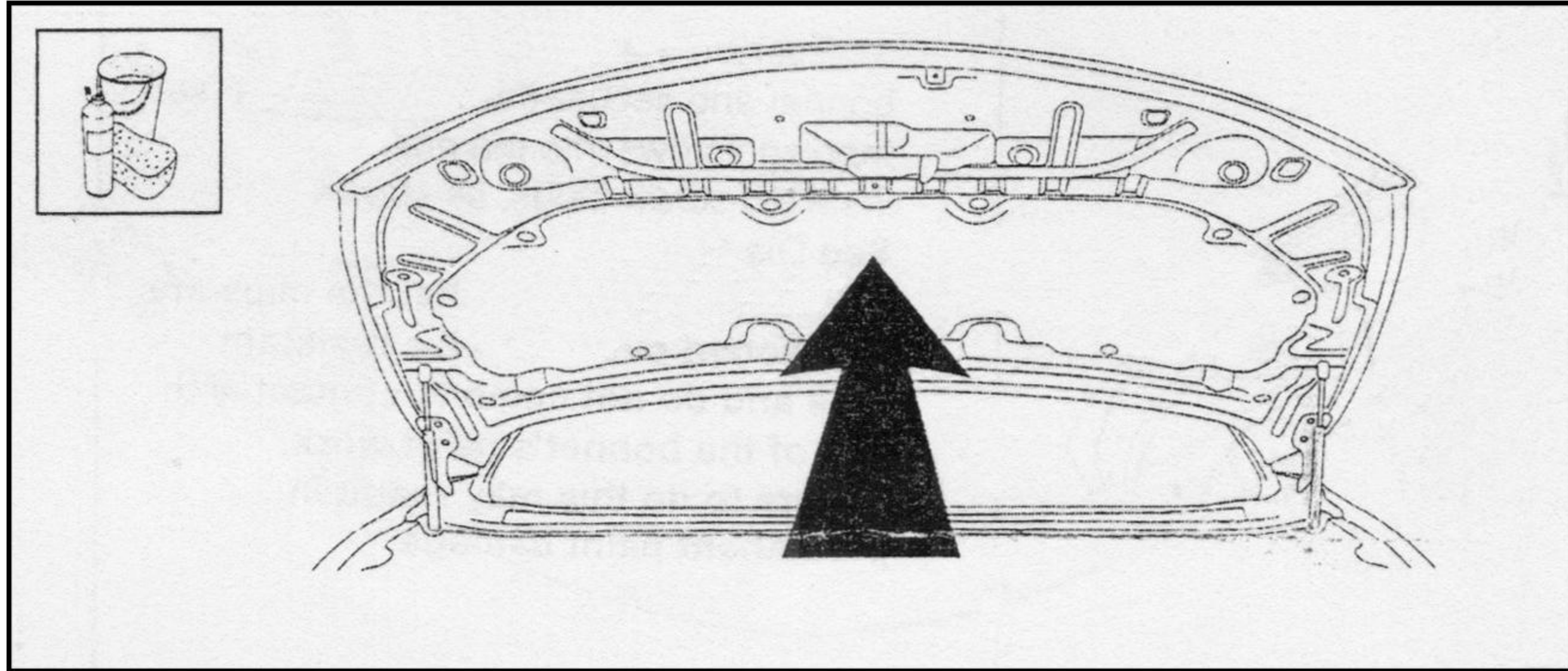
FITTING KIT
PZQ15-42100FK



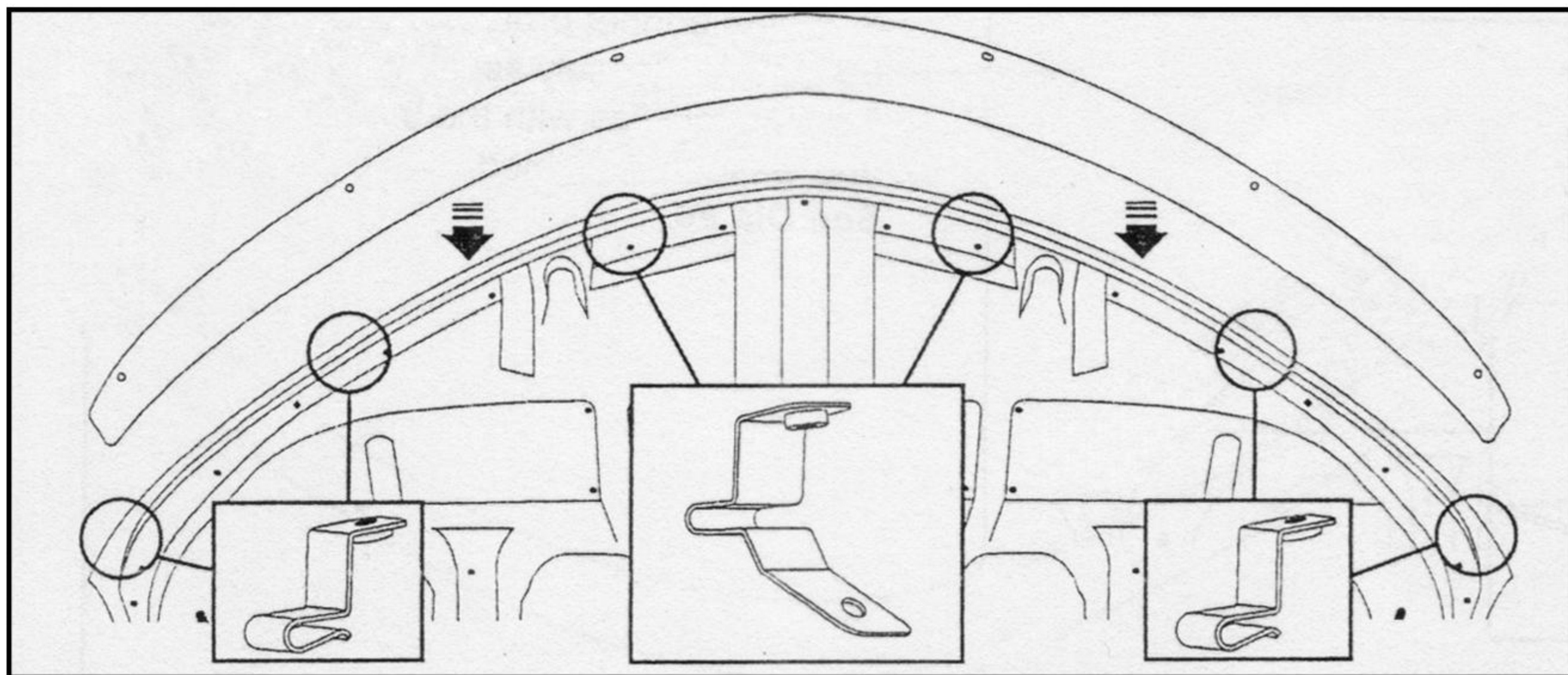
BONNET GUARD

INSTALLATION INSTRUCTIONS

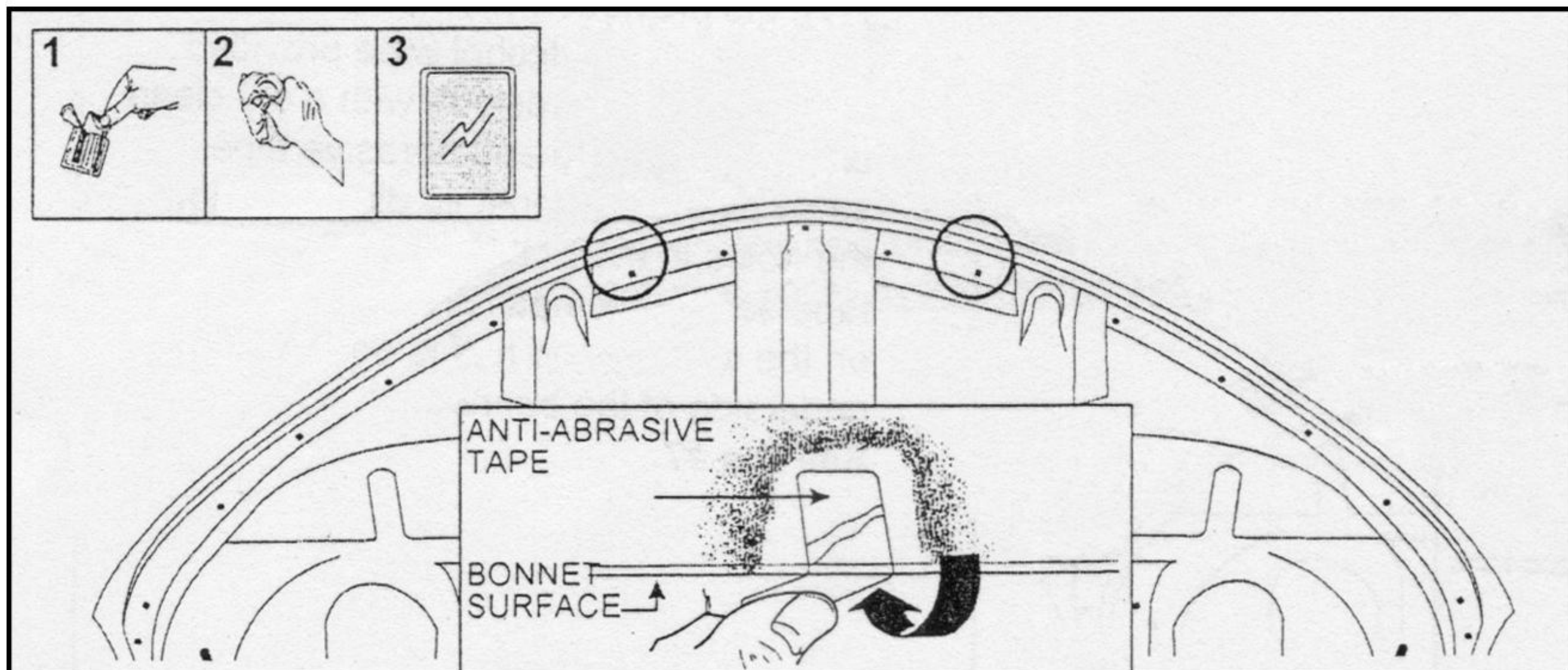
FOR:RAV4 2014



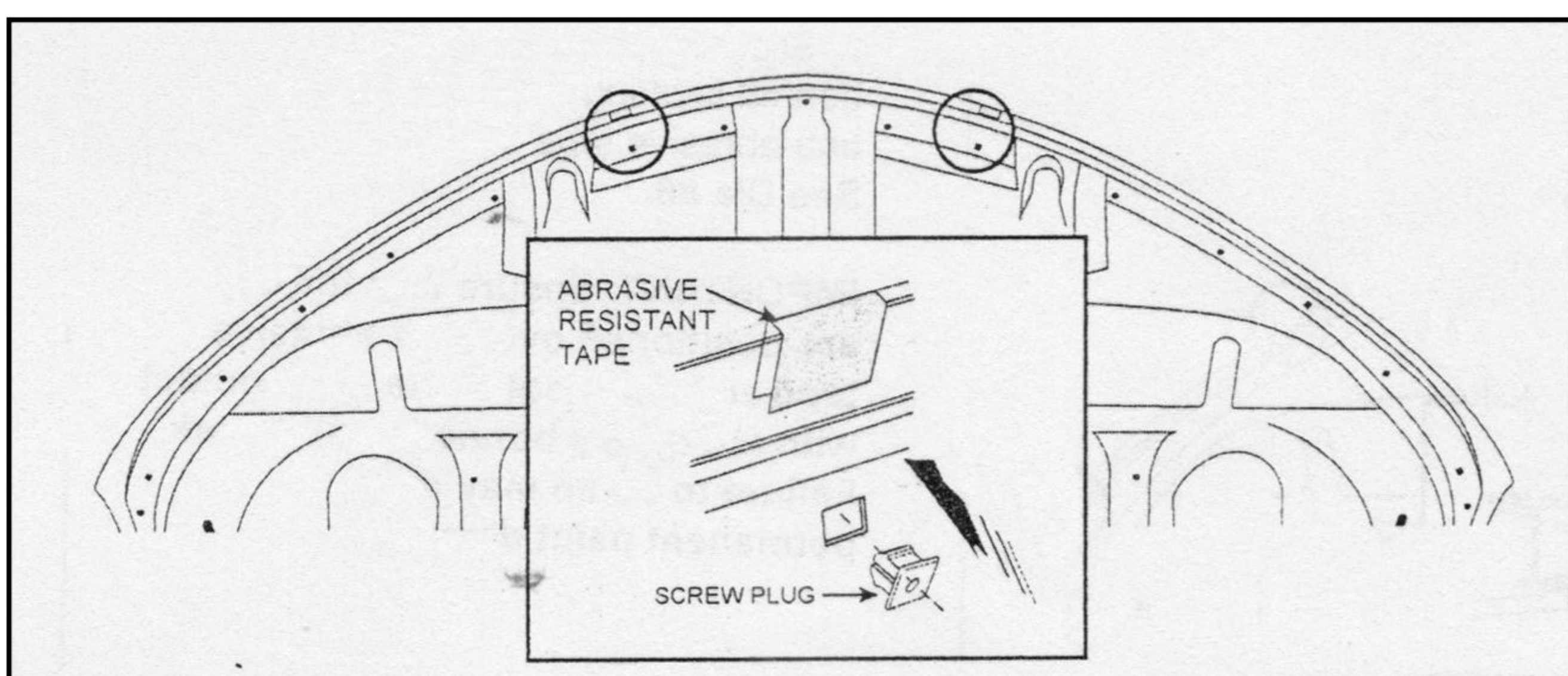
1. Open & thoroughly clean and dry the bonnet.



2. Trial fit the bonnet protector centrally onto bonnet. With a non-permanent marker, note the positions of the two middle slots in the bonnet protector that correspond to the holes in the underside of the bonnet. Also note and mark the push-on clip positions corresponding to the holes of the Bonnet Protector. Remove Bonnet Protector.



3. Trial fit the fixed metal clips aligning the round holes in the clips with the holes in the bonnet. Note where the clips make contact with the bonnet, remove clips. Clean these areas with the alcohol wipe provided. Wipe off any residue with a dry clean cloth. Adhere the anti-abrasive tape over the bonnet lip. Apply tape so approximately half of the tape is on the topside and half is on the underside of the bonnet.

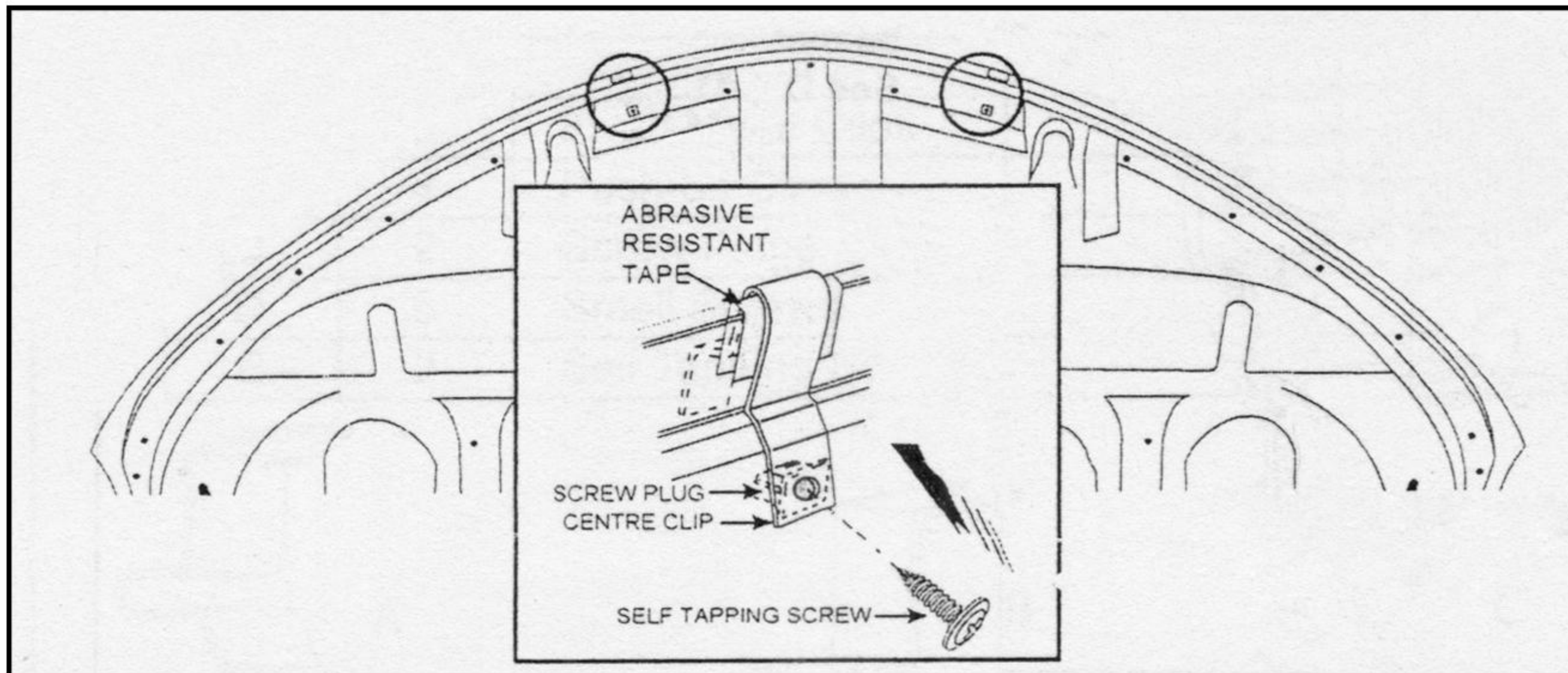


4. Position the screw plugs in the centre square holes in the bonnet.

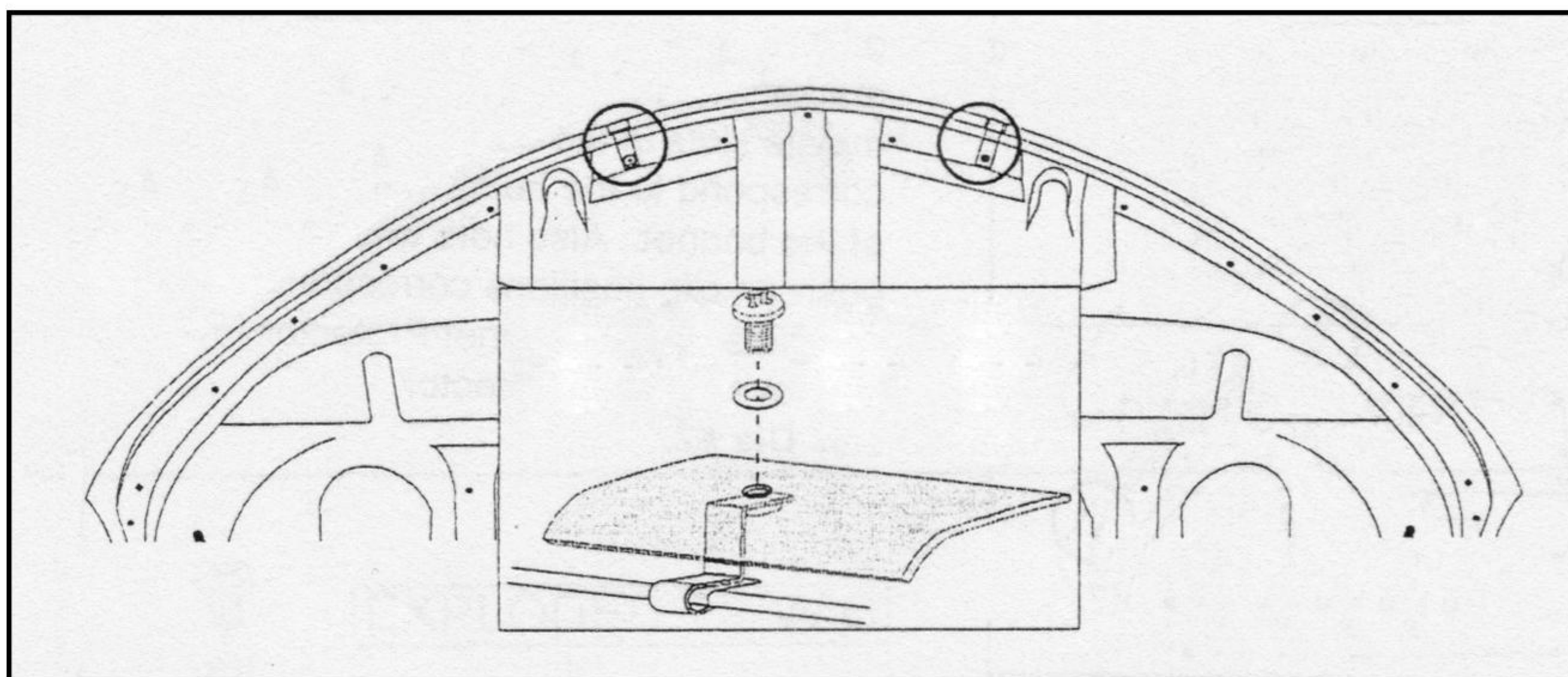
BONNET GUARD

INSTALLATION INSTRUCTIONS

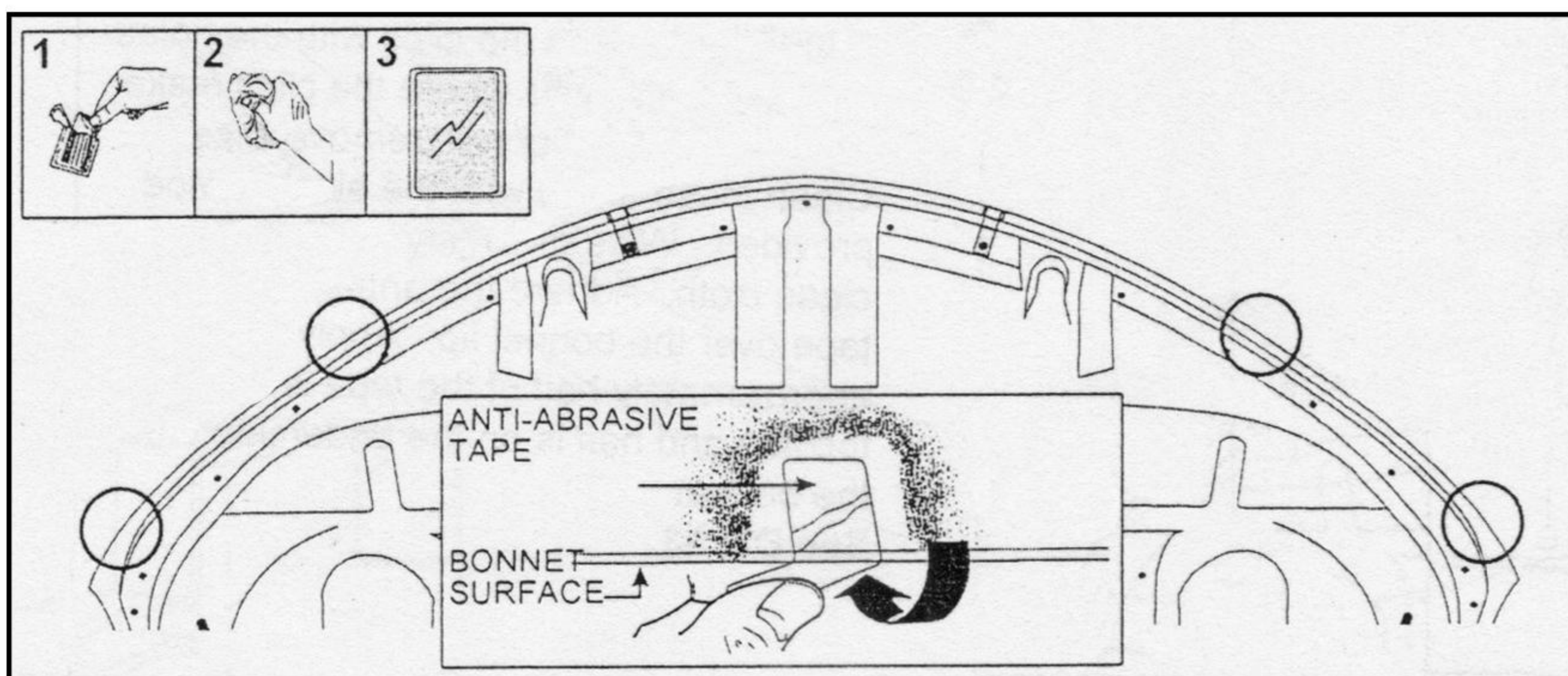
FOR:RAV4 2014



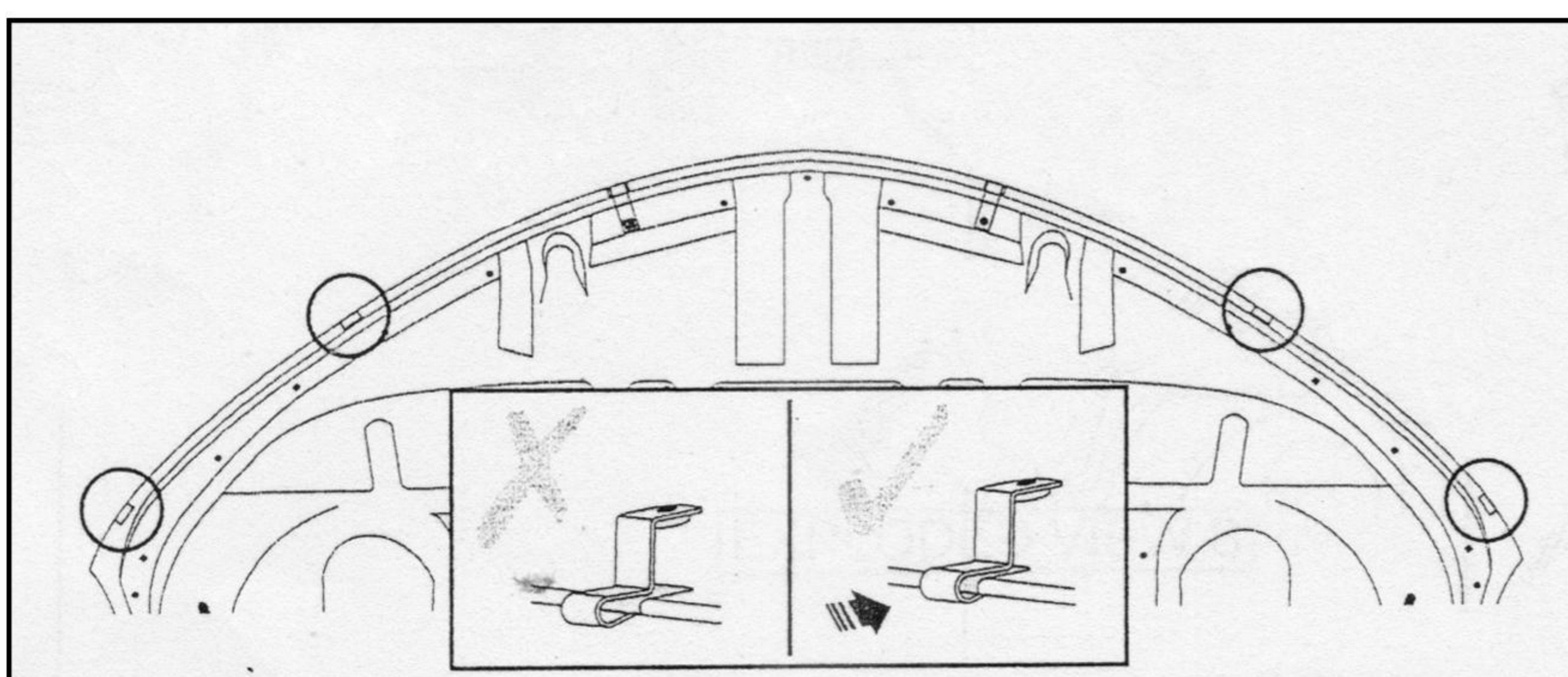
5. Position the centre metal clips onto bonnet and secure the clips with the self tapping screws into the previously installed screw plugs as shown.
IMPORTANT: Ensure that the clips are positioned over abrasive resistant tape and do not come in contact with any of the bonnet's paint work. Failure to do this may result in permanent paint damage.



6. Fit the bonnet protector centrally to bonnet and loosely secure to the top of fixed metal clips with the small screws and washers provided.



7. At the previously marked areas. Clean bonnet with the alcohol wipe provided and wipe off any residue with a dry clean cloth. Adhere the anti-abrasive tape strips over the bonnet lip directly below the holes in the Bonnet Protector. Apply tape so approximately half of the tape is on the topside and half is on the underside of the bonnet.

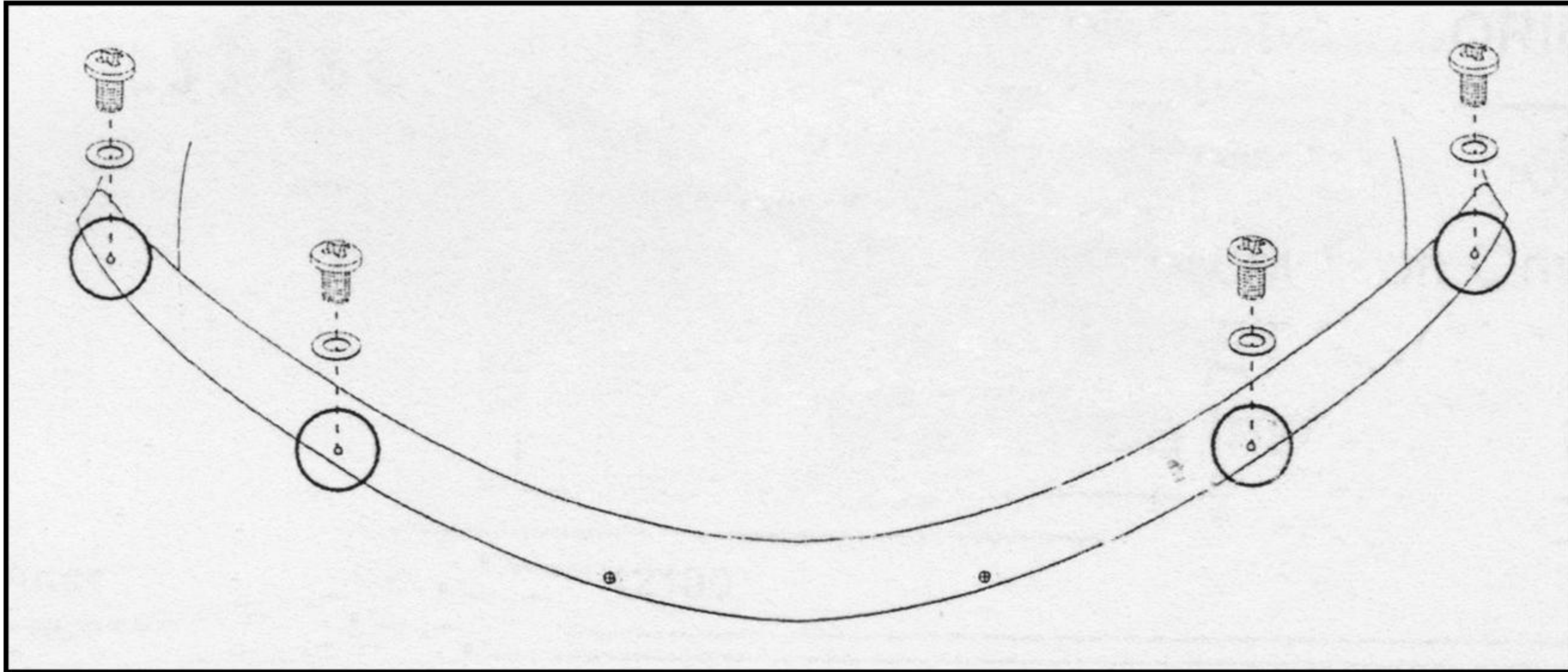


8. Slide the push-on metal clips onto the bonnet locating them over the anti-abrasive tape strips as shown.
IMPORTANT: Ensure that the clips are positioned over anti-abrasive tape and does not come into contact with any of the bonnet's paint work. Failure to do so may result in permanent paint damage.

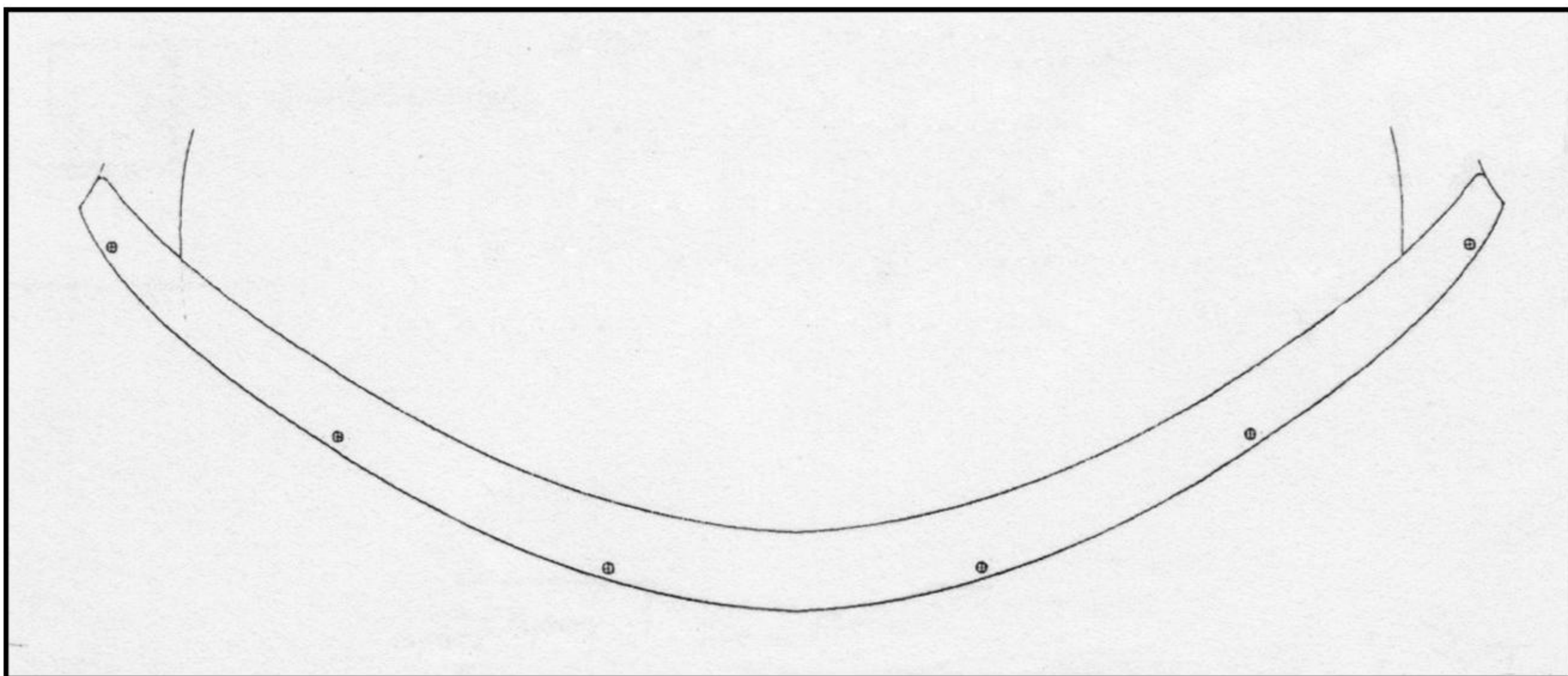
BONNET GUARD

INSTALLATION INSTRUCTIONS

FOR:RAV4 2014



9. Loosely secure the Bonnet Protector to the four push-on metal clips with the screws and washers provided.



10. Check the Bonnet Protector is sitting centrally on the bonnet..Tighten all the screws.

TO REMOVE:Reverse the above procedure.

IMPORTANT:Conduct final inspection,ensuring all fasteners are tightened and clips are correctly installed and not touching painted surface.Close bonnet and check clearances at all edges for interference and adjust if necesssary.