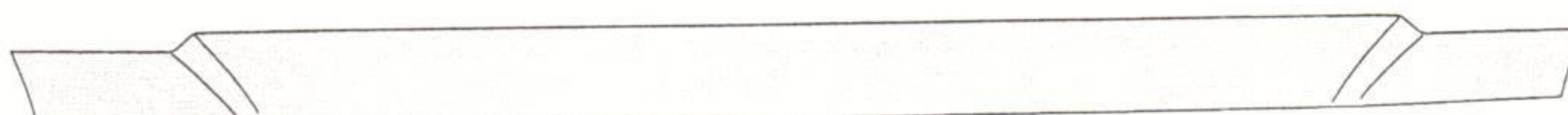
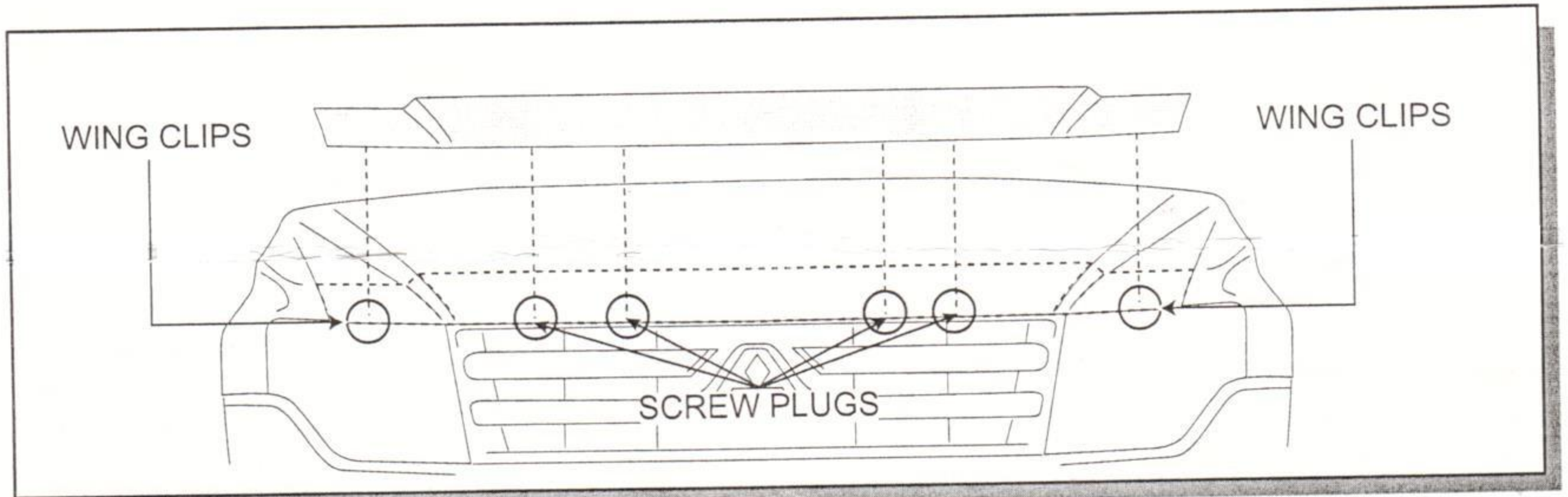


PARTS SUPPLIED

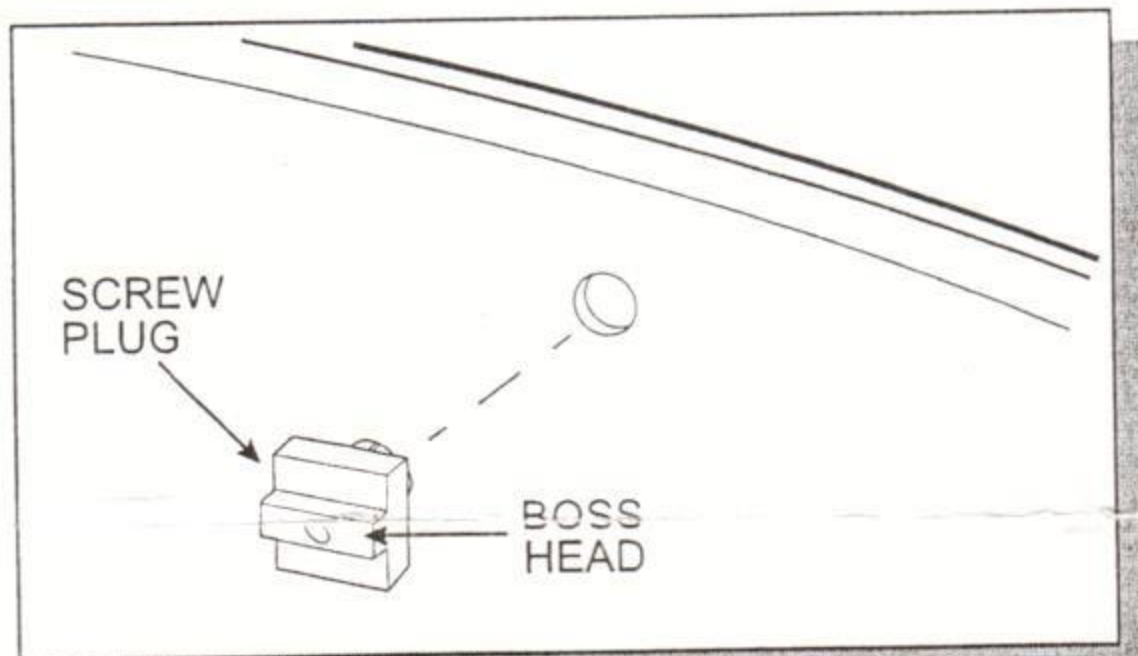


TOOLS REQUIRED

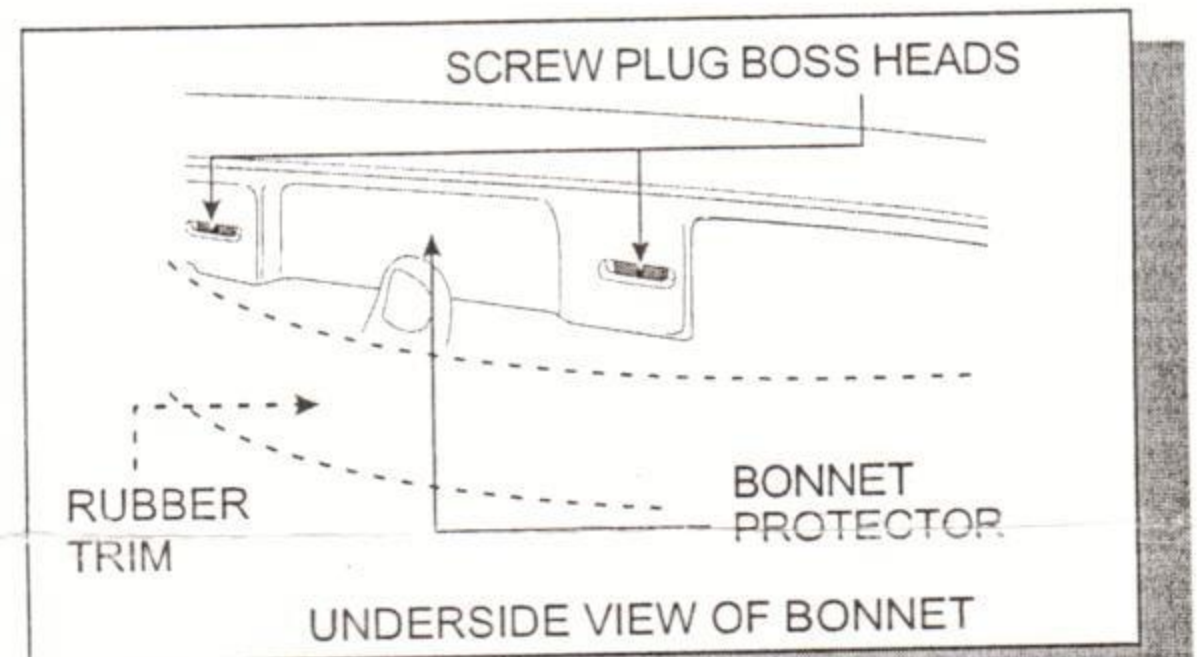




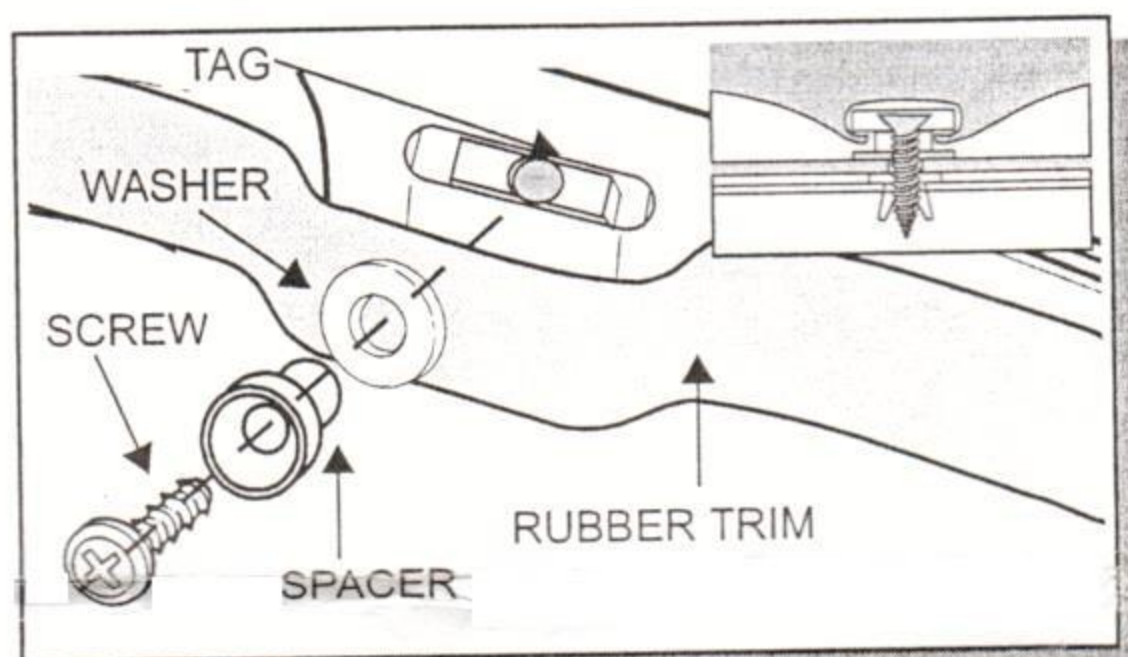
1. Clean & open bonnet. Trial fit Bonnet Protector centrally onto bonnet. Note the rubber seal retaining plugs in the underside of bonnet that correspond to the slots in the Bonnet Protector tags. Also note plastic wing clip positions. Remove the Bonnet Protector. Using a pair of pliers, remove the noted rubber seal retaining plugs.



2. Insert the four screw plugs at the now vacant noted holes in underside of bonnet, as shown. Align the boss head in each screw plug with the slots in Bonnet Protector.

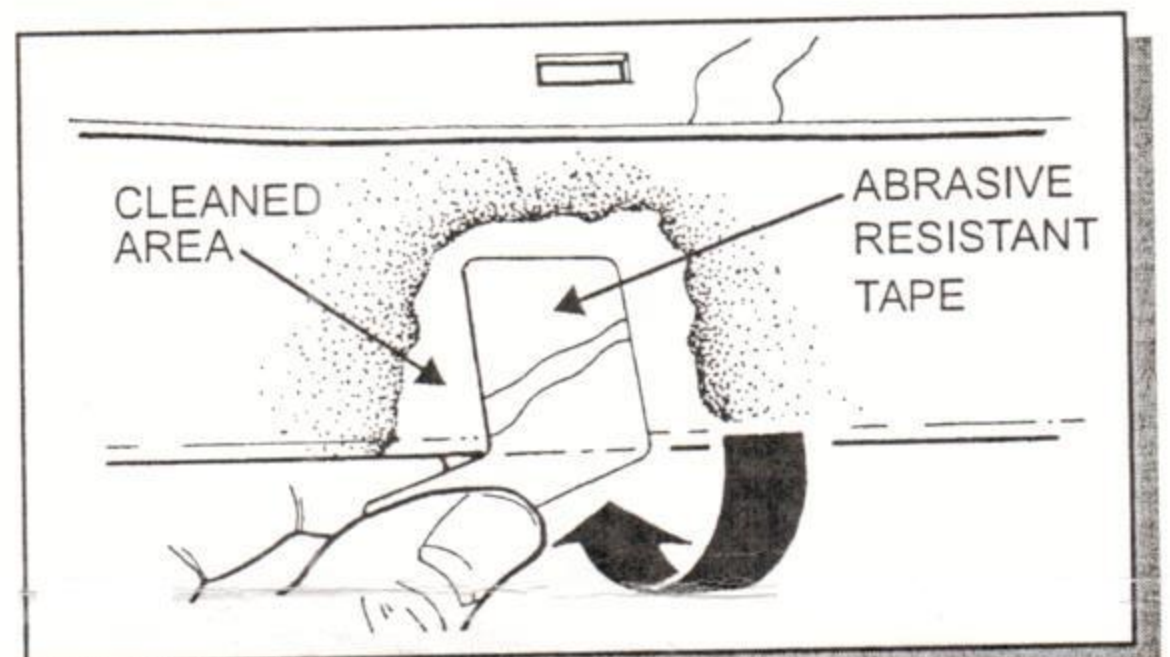


3. Re-install Bonnet Protector onto bonnet ensuring that the Bonnet Protector tags fit between the bonnet, screw plug and the rubber bonnet seal. Seat the slot of the Bonnet Protector over the boss head of the screw plug, by applying firm pressure to the underside of the Bonnet Protector, as shown.

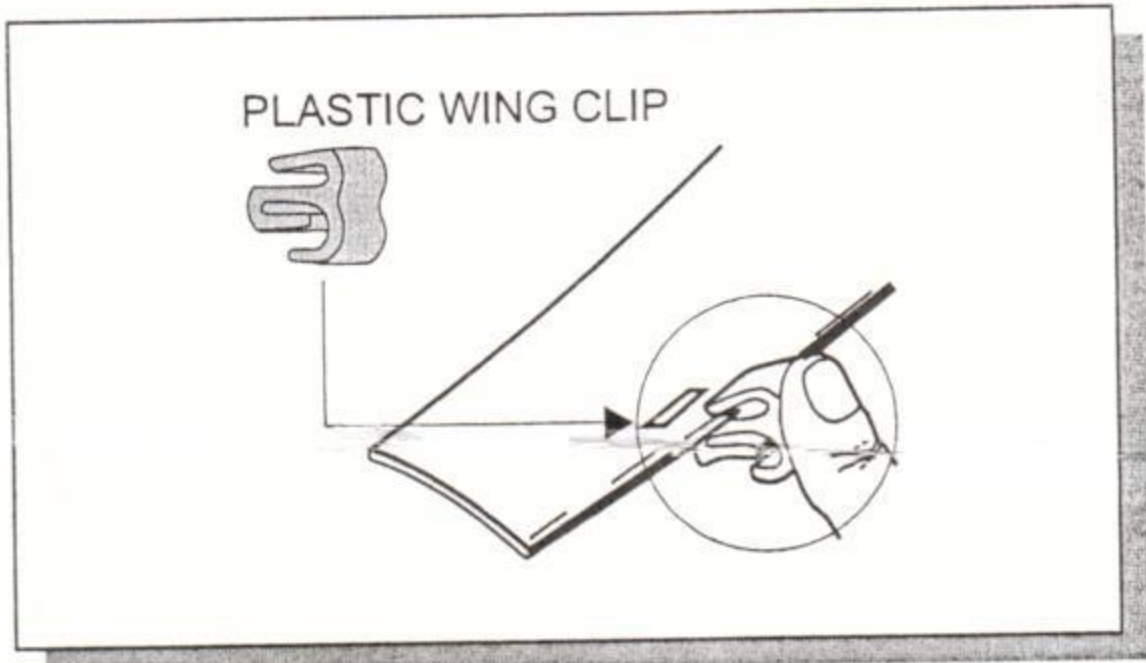


4. Secure Bonnet Protector to bonnet using the screws, spacers and washers provided. The correct sequence is screw plugs, Bonnet Protector, washers, spacers and screws. Stretch exiting holes in rubber trim over spacer to re-secure rubber trim in position.

WARNING: It is difficult to install the rubber trim hole over the spacer and if care is not taken, the rubber trim hole may tear. Proceed with caution.



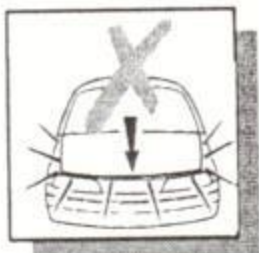
5. Note the outer slots in wings of Bonnet Protector. Clean the areas on bonnet lip corresponding to slots, with alcohol wipe provided. Wipe off any residue with a clean dry cloth. Apply abrasive resistant tapes to the two outer positions corresponding to slots in Bonnet Protector wings. Fold tape over so approximately half of each strip is adhered to outside and half to underside of bonnet.



6. Attach the two plastic wing clips to Bonnet Protector. Ensure top leg of clips locate in rectangular slots at either end of Bonnet Protector. **NOTE:** You should hear a definite “click” when the plastic wing clip engages with the rectangular slots of the Bonnet Protector.



7. Complete installation by locating bottom leg of wing clips over the abrasive resistant tapes on bonnet surface. **NOTE:** Ensure that the wing clips do not make contact with the paintwork of bonnet. **TO REMOVE:** Reverse above procedure.



Do not slam bonnet.



Clean Bonnet Protector with a mild detergent and water solution.



Do not use abrasive cleaners.