

BONNET GUARD

INSTALLATION INSTRUCTIONS

FOR: KLUGER 2013

Place these instructions in vehicle's glove box after installation is complete

Care Instructions:



Do not slam bonnet.



Clean Bonnet Protector with a mild detergent and water solution. *



Do not use automatic car wash.

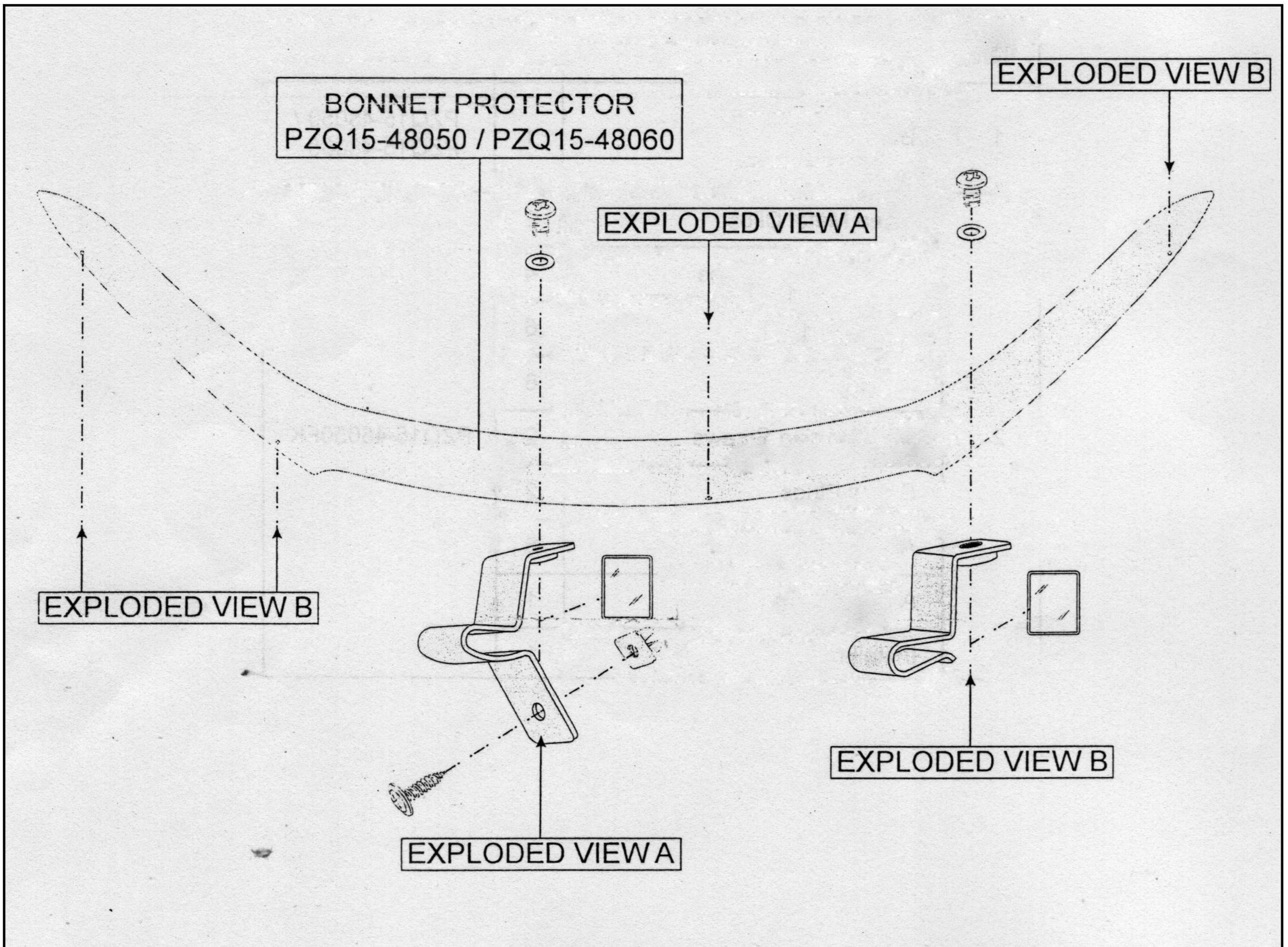


Do not use abrasive, spirit or solvent based cleaners.

Item	Component Name	Qty	Part number
1	Bonnet Protector	1	PZQ15-48050 / PZQ15-48060
2	Fixed Metal Clips	2	PZQ15-48050FK
	Push-on Metal Clips	4	
	Small Screws	6	
	Washers	6	
	Self Tapping Screws	2	
	Screw Plugs	2	
	Anti-Abrasive Tape	6	
	Alcohol Wipe	1	
Installation Instruction	1		

Item	Qty		Item	Qty	
A	2	Fixed Metal Clips	F	6	Anti-Abrasive Tape
B	4	Push-on Metal Clips	G	6	Washer
C	2	Screw Plugs	H	1	Alcohol Wipe
D	6	Small Screws	I	1	Installation Instruction
E	2	Self Tapping Screws			

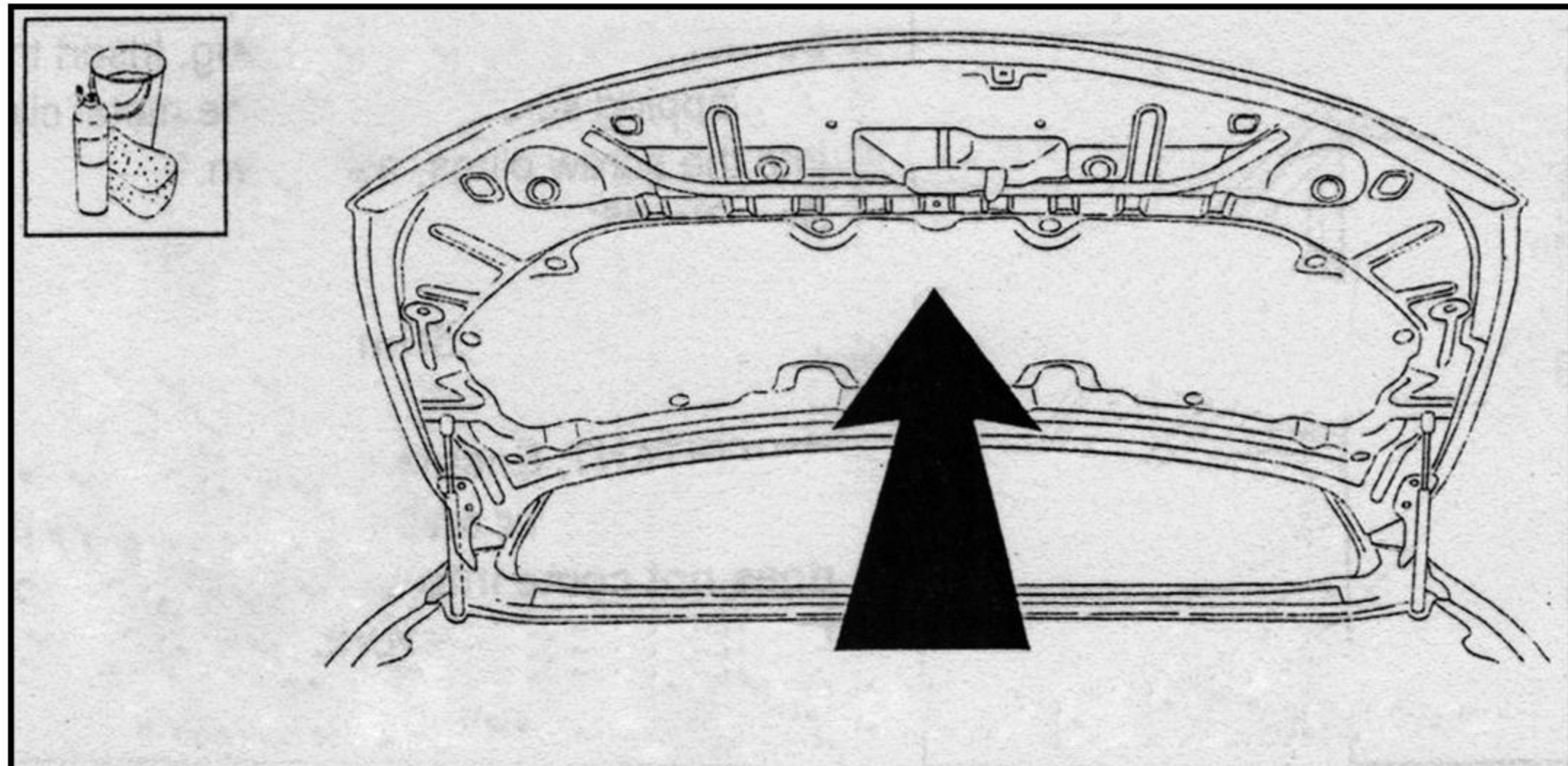
FITTING KIT
PZQ15-48050FK



BONNET GUARD

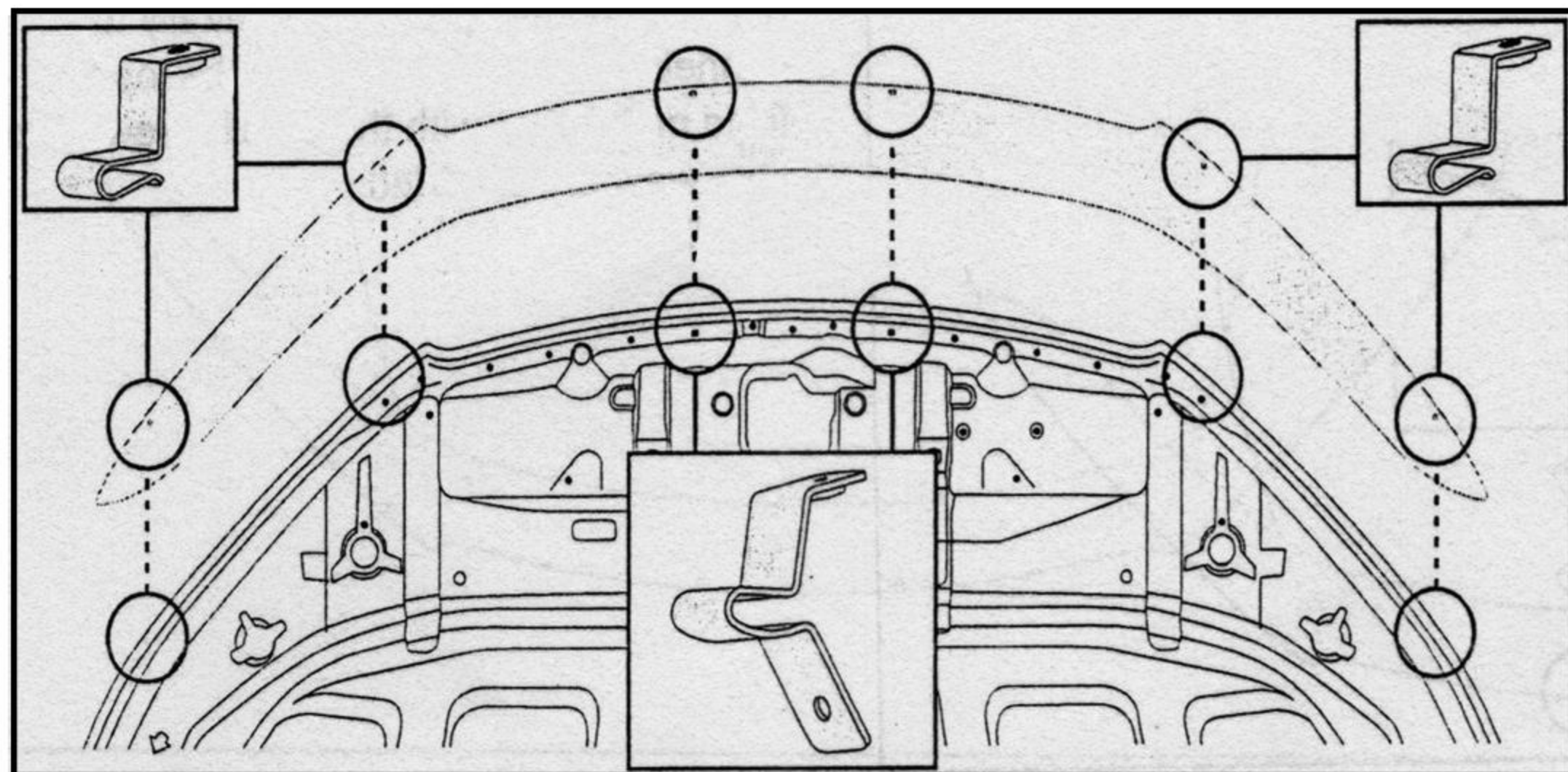
INSTALLATION INSTRUCTIONS

FOR: KLUGER 2013



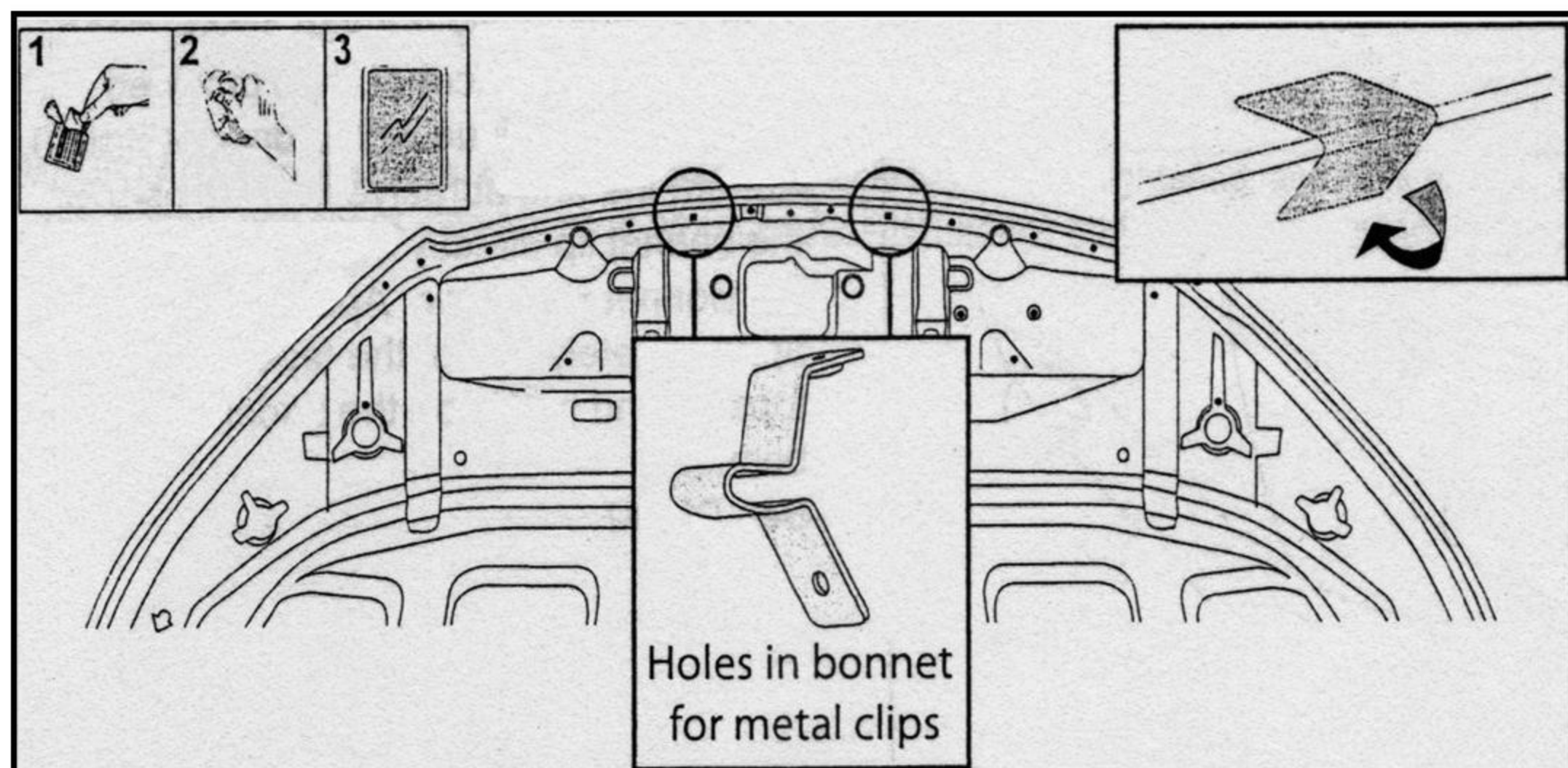
STEP 1

Read installation instructions thoroughly before commencing installation.
Open & thoroughly clean and dry the bonnet.



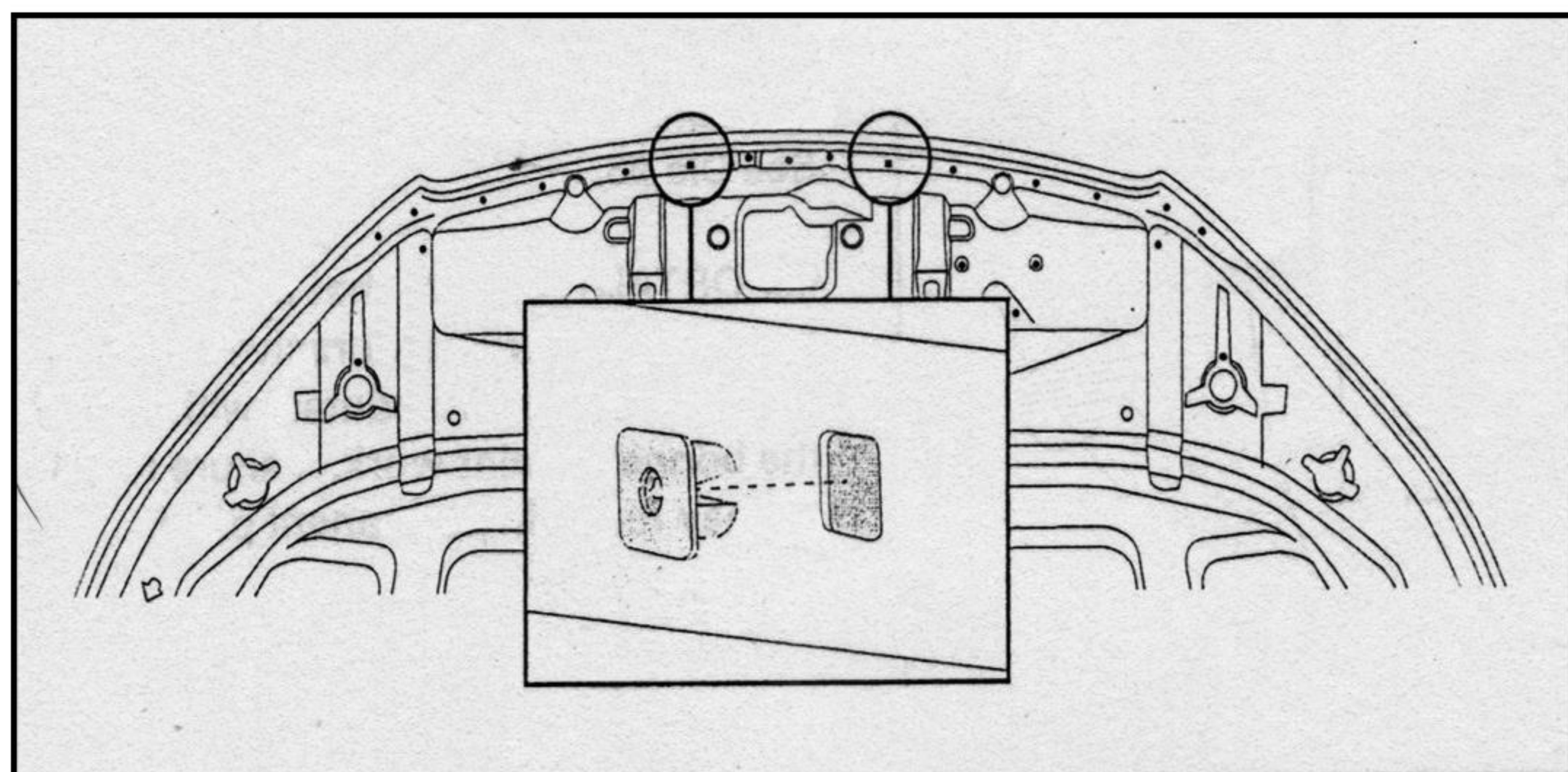
STEP 2

Trial fit the bonnet protector centrally onto bonnet. With a non-permanent marker, note the positions of the two middle slots in the bonnet protector that correspond to the holes in the underside of the bonnet. Also note and mark the four push-on clip positions corresponding to the holes of the Bonnet Protector.
Remove Bonnet Protector.



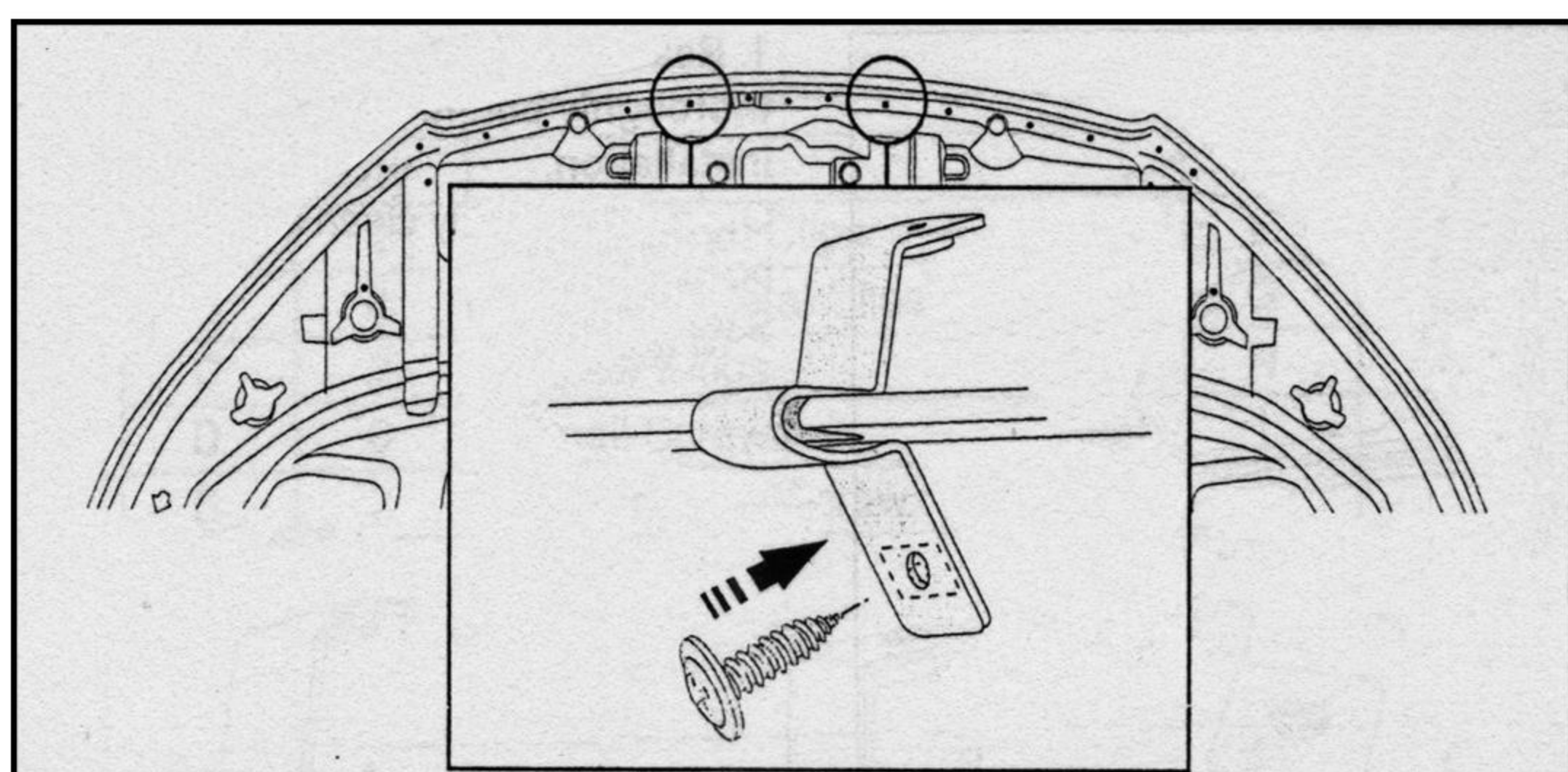
STEP 3

Trial fit the fixed metal clips aligning the round holes in the clips with the square holes in the bonnet. Note where the clips make contact with the bonnet. Remove clips. Clean these areas with the alcohol wipe provided. Wipe off any residue with a dry clean cloth. Adhere the anti-abrasive tape over the bonnet lip. Apply tape so approximately half of the tape is on the topside and half is on the underside of the bonnet.



STEP 4

Insert the screw plugs into the two vacant square holes.



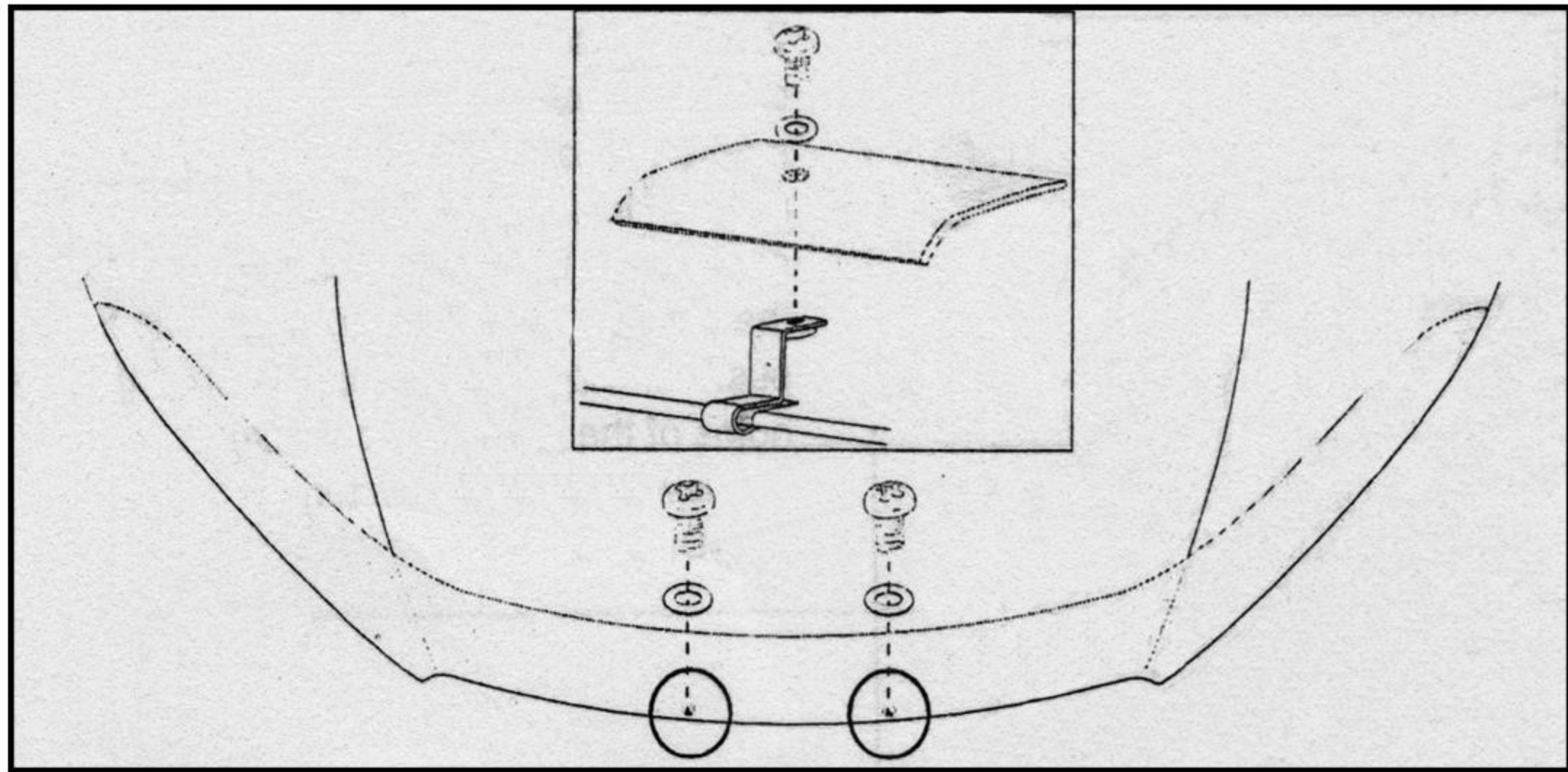
STEP 5

Position the fixed metal clips onto the bonnet and over the screw plug. Insert the self tapping screws through the metal clip into the screw plugs, as shown.
Torque to: 1.0 - 1.5Nm
IMPORTANT: Ensure that the clips are positioned over anti-abrasive tape and does not come into contact with any of the bonnet's paint work. Failure to do so may result in permanent paint damage.

BONNET GUARD

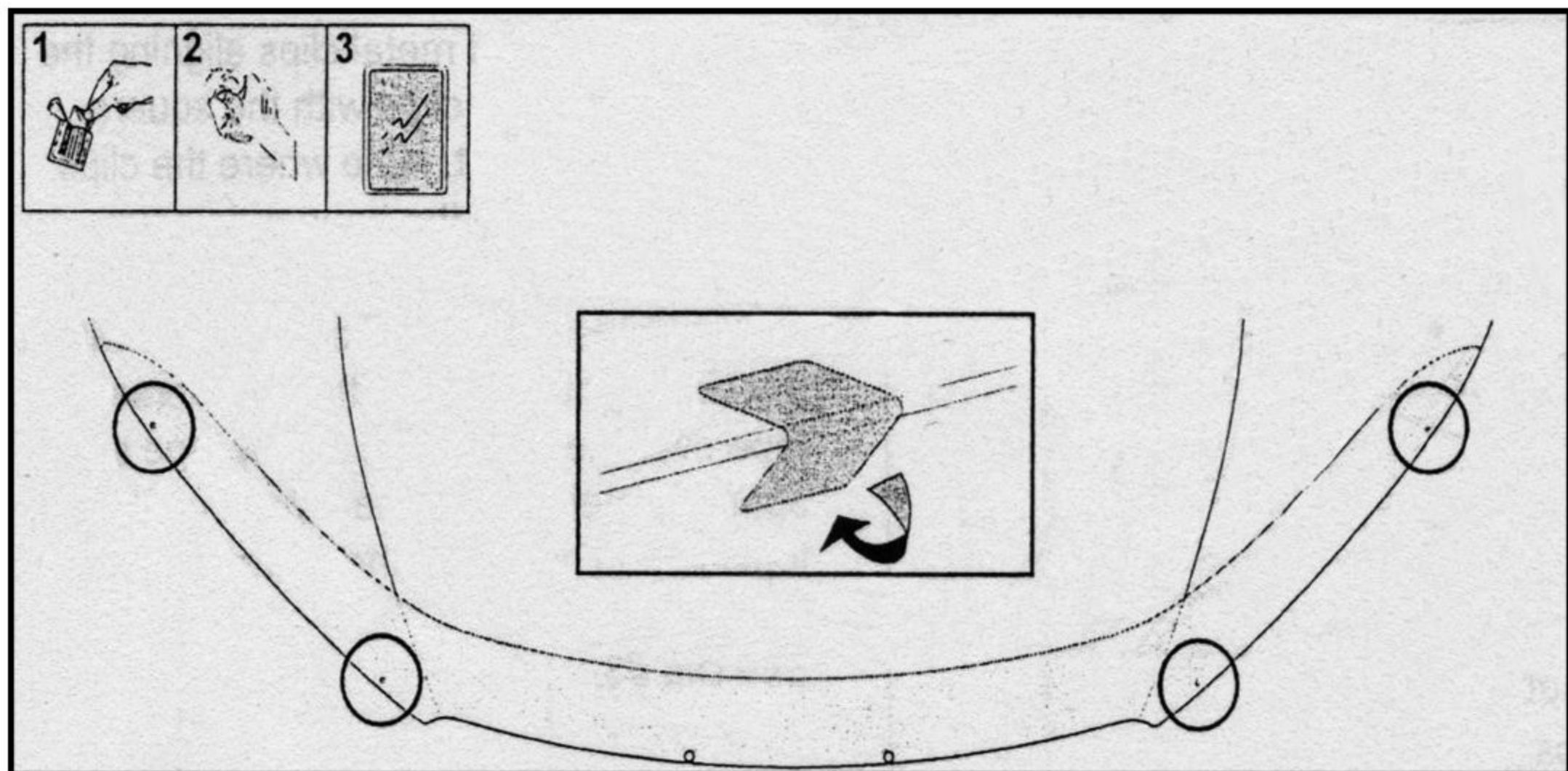
INSTALLATION INSTRUCTIONS

FOR: KLUGER 2013



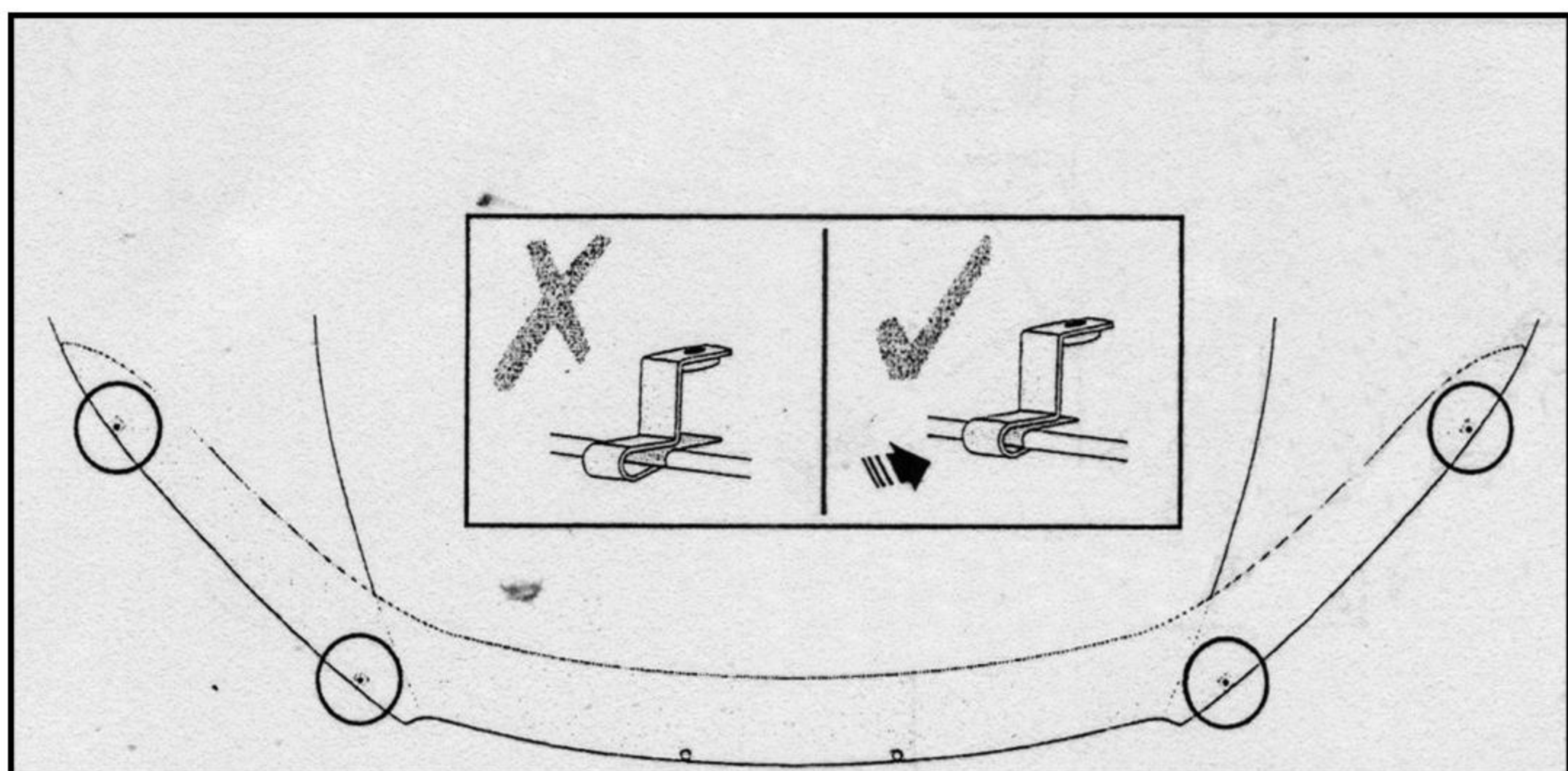
STEP 6

Fit the bonnet protector centrally to bonnet and loosely secure to the top of fixed metal clips with the small screws and fibre washers provided.



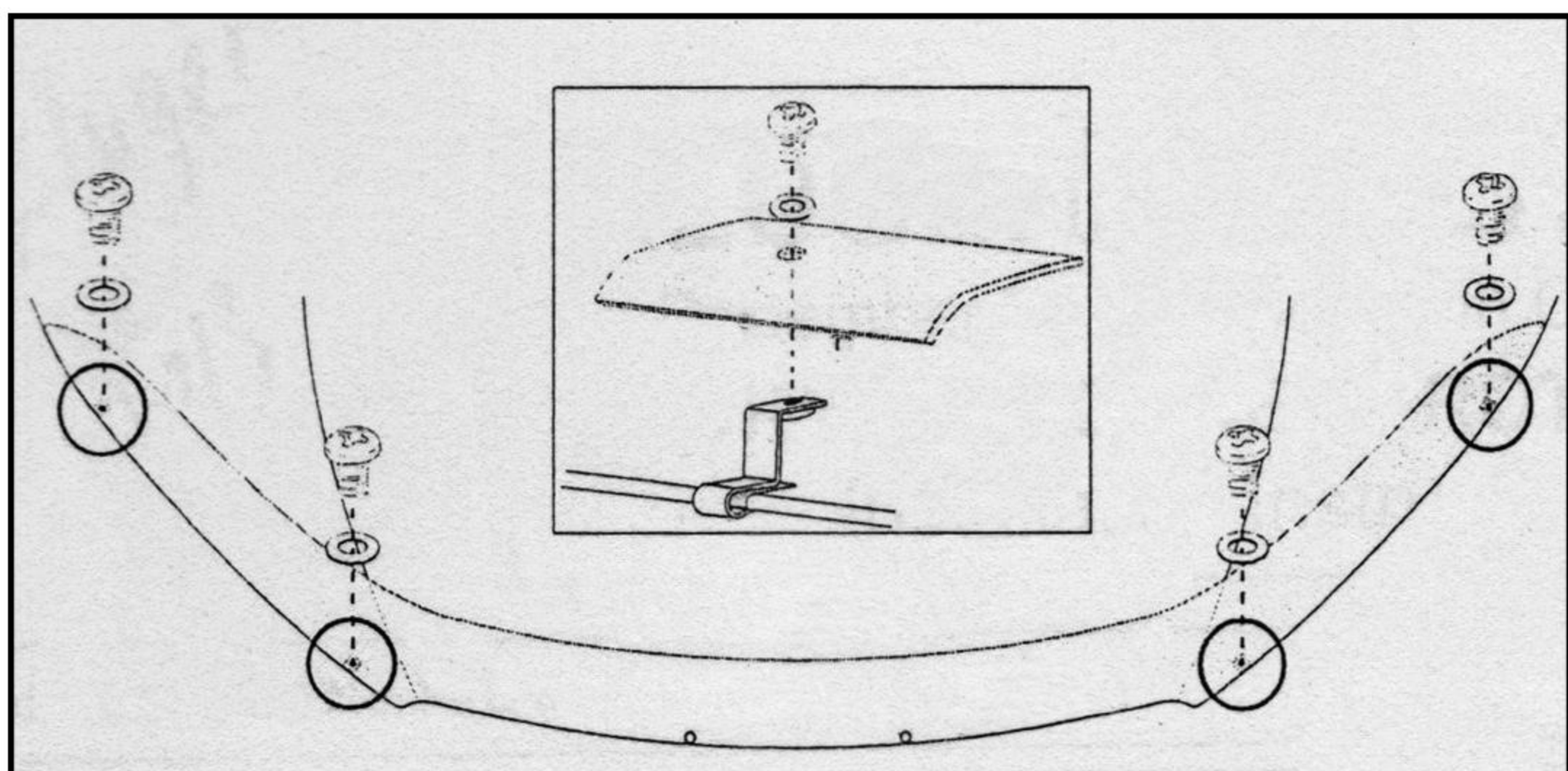
STEP 7

At the previously marked areas, clean bonnet with the alcohol wipe provided and wipe off any residue with a dry clean cloth. Adhere the anti-abrasive tape strips over the bonnet lip directly below the holes in the Bonnet Protector. Apply tape so approximately half of the tape is on the top side and half is on the underside of the bonnet.



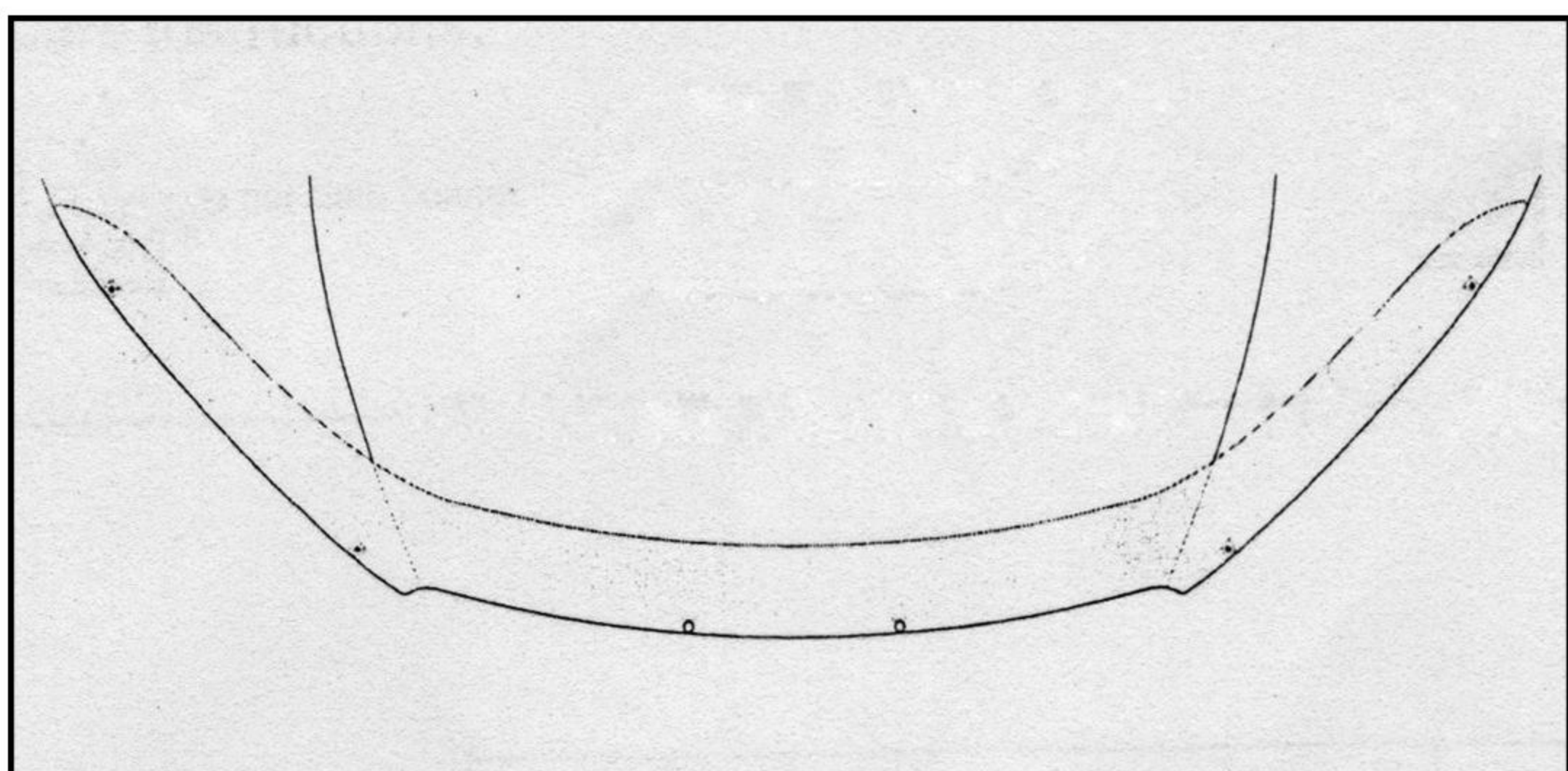
STEP 8

Slide the push-on metal clips onto the bonnet locating them over the anti-abrasive tape strips as shown. **IMPORTANT:** Ensure that the clips are positioned over anti-abrasive tape and does not come into contact with any of the bonnet's paint work. Failure to do so may result in permanent paint damage.



STEP 9

Loosely secure the Bonnet Protector to the four push-on metal clips with the screws and washers.



STEP 10

Check the Bonnet Protector is sitting centrally on the bonnet. Tighten all the screws. Torque to: 2.0 - 2.3Nm.

TO REMOVE: Reverse the above procedure

IMPORTANT: Conduct final inspection ensuring all fasteners are tightened, and clips are correctly installed and not touching painted surfaces. Close bonnet and check clearances at all edges for interference and adjust if necessary.