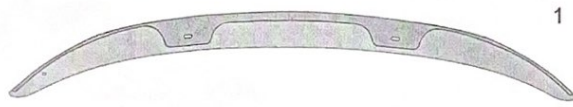




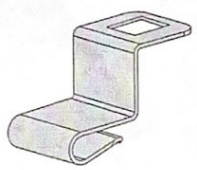





0 3 5 8 2 8

HONDA

INSTALLATION INSTRUCTIONS	Accessory	Application	Issue Date
	BONNET PROTECTOR	2017 CR-V	JUNE 2017

Check Contents
08P01-TLA-L00DS
PARTS LIST
Bonnet Protector

	QTY		QTY
	1	Screws	2
Screw Plug 	2	Nutsert 	2
Self Tapping Screw 	2	Abrasive Resistant Tape 	2
Push-on Clip 	2	Alcohol Wipe 	1
Small Washer 	2		
Large Washer 	2		

TOOLS REQUIRED

- Clean Cloth
- Soapy Water
- Sponge
- Non-Permanent Marker, or Pencil
- Phillips Head Screwdriver

HONDA

Note: Check contents before installation

Note: Read the following installation procedure before proceeding.



Do not use abrasive cleaners.



Clean Bonnet Protector with a mild detergent and water solution.



Do not slam bonnet.

1. Wash the bonnet with a mild soap and water solution and dry thoroughly.

Refer to Figure 1.

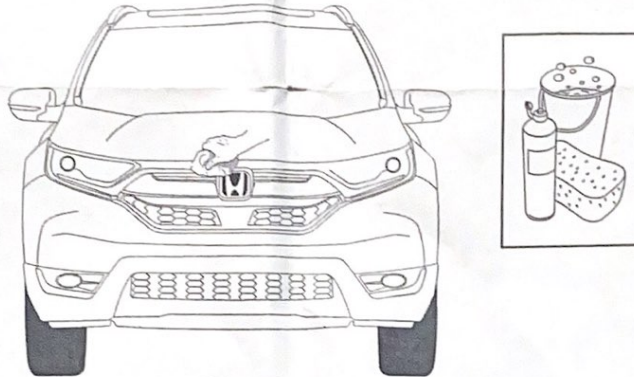


Figure 1.

2. Open Bonnet.

Refer to Figure 2.

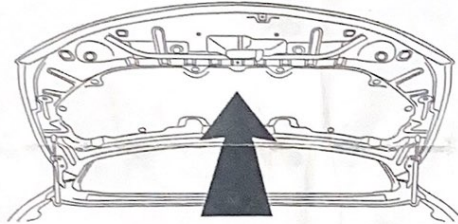


Figure 2.

3. Loosely place the Bonnet Protector on the bonnet. Using a non permanent marker mark the location of the two Acrylic tag slots in the bonnet protector that correspond to the two holes in the bonnet. Note and mark the position of the two outer holes and where they correspond to the bonnet lip. Remove Bonnet Protector.

Refer to Figure 3.

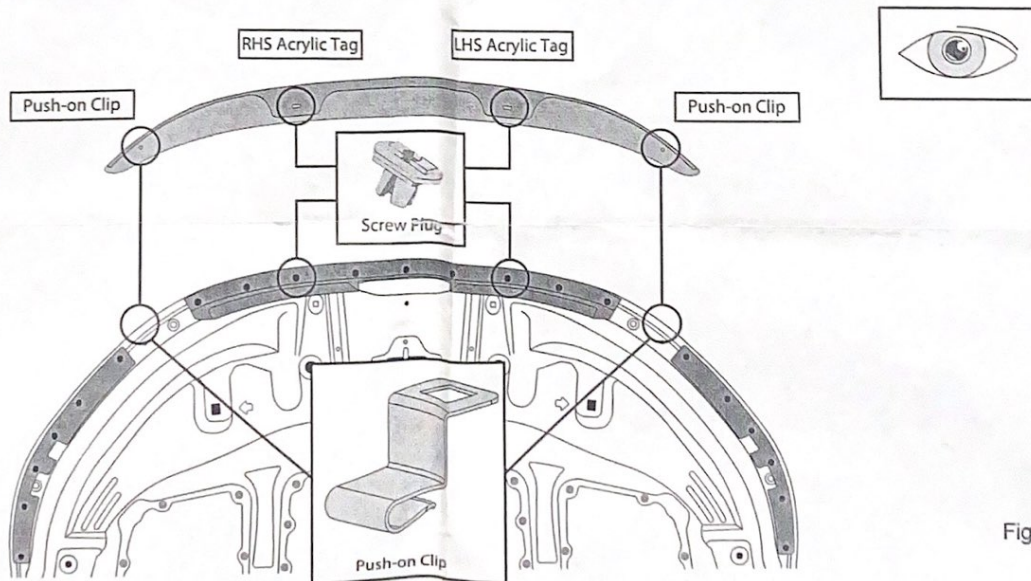


Figure 3.

HONDA

4. At the previously noted scrivett locations carefully remove the scrivetts attaching the hood seal and discard.

Refer to Figure 4.

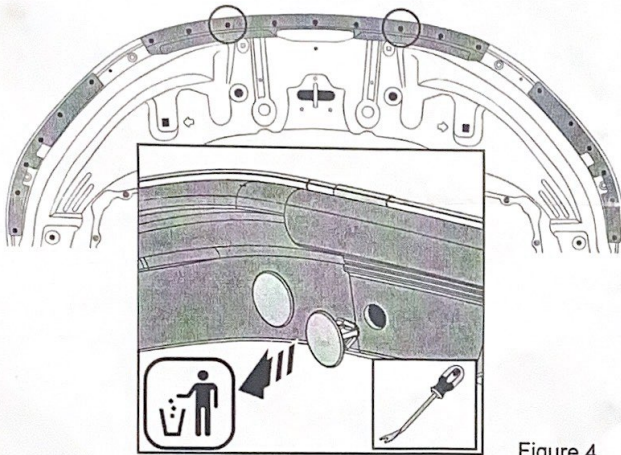


Figure 4.

5. Pull down the seal slightly and insert the two screw plugs into the previously noted holes.

Note: Apply tape so approximately half of each strip is adhered to the top side and half is adhered to the underside of bonnet.

Refer to Figure 5.

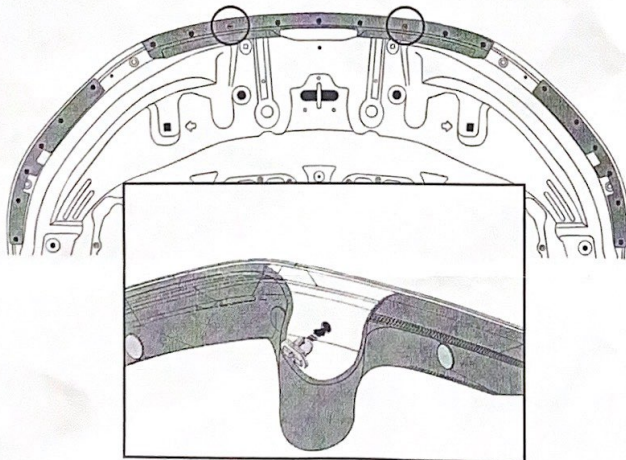


Figure 5.

6. Clean the two metal clip locations with the alcohol wipe provided removing any pen marks. Wipe off any residue with a dry clean cloth. Adhere the abrasive resistant tape strips over the bonnet lip.

Note: Apply tape so approximately half of each strip is adhered to the top side and half is adhered to the underside of bonnet.

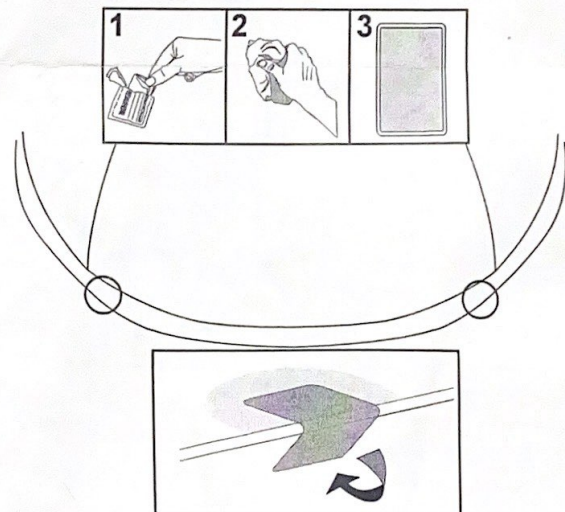


Figure 6.

7. Insert a nutsert into each of the push-on clips and slide both push-on clips onto the lip of the bonnet over the abrasion resistant tape.

Note: Ensure the metal clips are over the abrasion resistant tape and do not come into direct contact with the bonnet.

Refer to Figure 7.

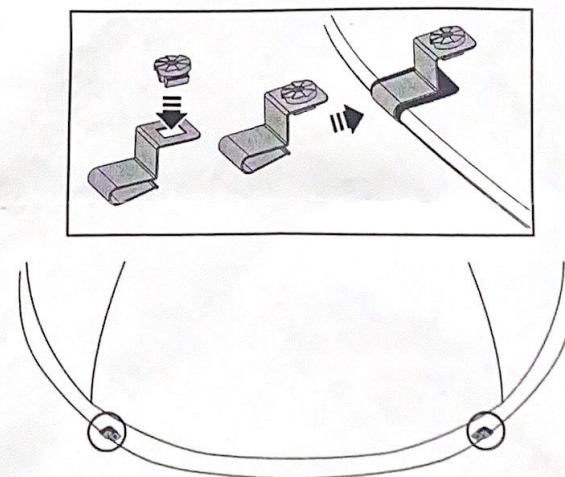


Figure 7.

HONDA

8. Peel down the seal slightly and install the Bonnet Protector on the bonnet and align the slots in the tags with the plugs. Ensure that the collar of the screw plugs locate into and parallel with the slots in the bonnet Protector tags.

Refer to Figure 8.

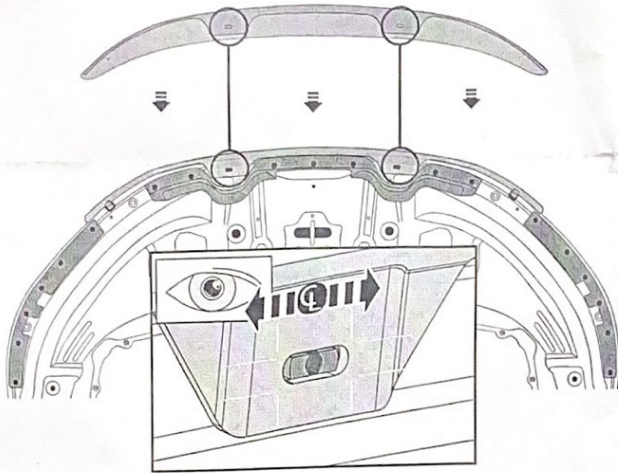


Figure 8.

9. Place the seal back into position over the tags on the Bonnet Protector and align the holes in the seal with the screw plugs. Centralise the Bonnet Protector and secure it to the screw plugs with the self tapping screws and large washers.

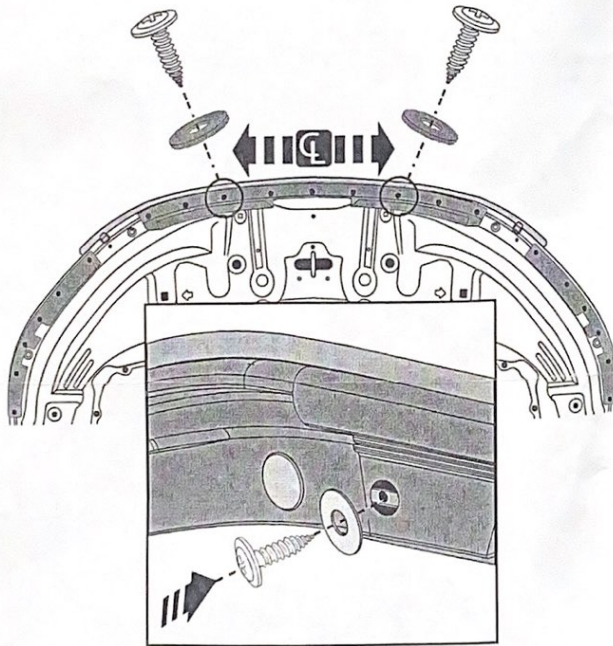


Figure 9.

10. Secure the Bonnet Protector to the two outer push-on clips with the screws and small washers.

Refer to Figure 9.

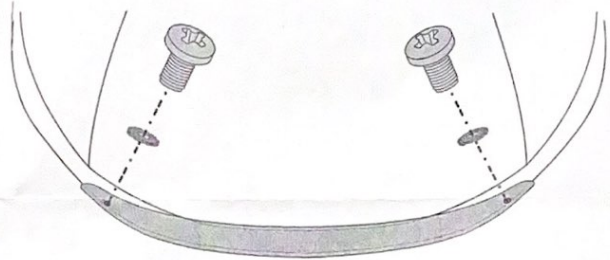


Figure 10.

11. Place Fitting Instructions in glove box for future use. (Advise customer).

Note: To remove Bonnet Protector follow the Installation Instructions in reverse order.