

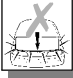


**LANDCRUISER 70**  
 September 2023 Production Onwards  
**ACRYLIC BONNET PROTECTOR**  
 Installation Instructions


**Accessory Part No. PZQ15-60290 (Clear)** Installation Time: Approx. 30 mins

**Place these instructions in vehicle's glove box after installation is complete**


**Care Instructions:**




Do not slam bonnet.



Clean Bonnet with a mild detergent and water solution.



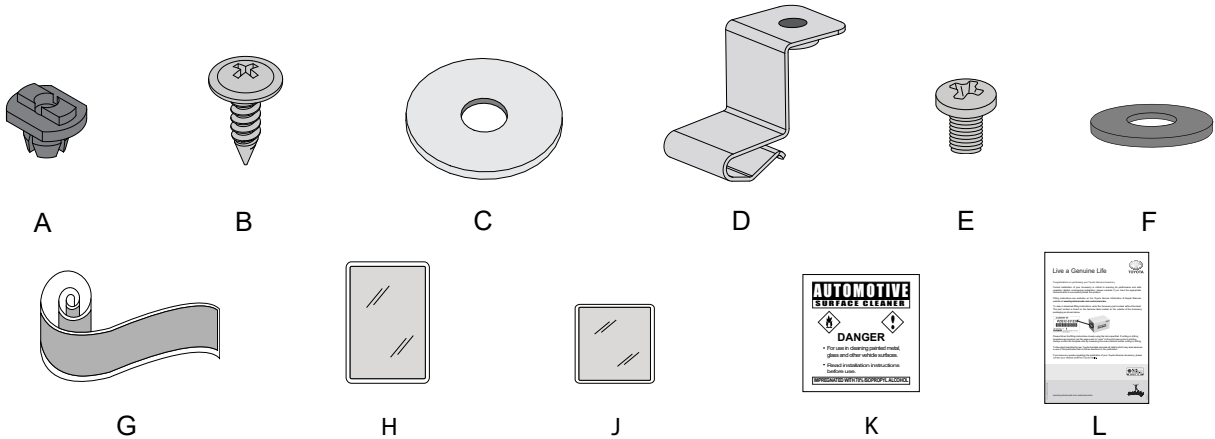
Do not use automatic car wash.



Do not use abrasive, spirit or solvent based cleaners.

Item	Component Name	Qty	Part number
1	Bonnet Protector (Clear)	1	PZQ15-60290 (Clear)
2	Screw Plug	2	PZQ15-6029A (Clear)
	Self-Tapping Screw	2	
	Large Washer	2	
	Push-On Clip	4	
	Small Screw	4	
	Small Washer	4	
	Large Anti-Abrasive Tape	1	
	Medium Anti-Abrasive Tape	4	
	Small Anti-Abrasive Tape	6	
	Alcohol Wipe	1	
Fitting Instruction Flyer	1		

Item	Qty	Description	Item	Qty	Description
A	2	Screw Plug	G	1	Large Anti-Abrasive Tape
B	2	Self-Tapping Screw	H	4	Medium Anti-Abrasive Tape
C	2	Large Washer	J	6	Small Anti-Abrasive Tape
D	4	Push-On Clip	K	1	Alcohol Wipe
E	4	Small Screw	L	1	Fitting Instruction Flyer
F	4	Small Washer			



FITTING KIT  
PZQ15-6029A (Clear)

**BONNET PROTECTOR**  
PZQ15-60290 (Clear)

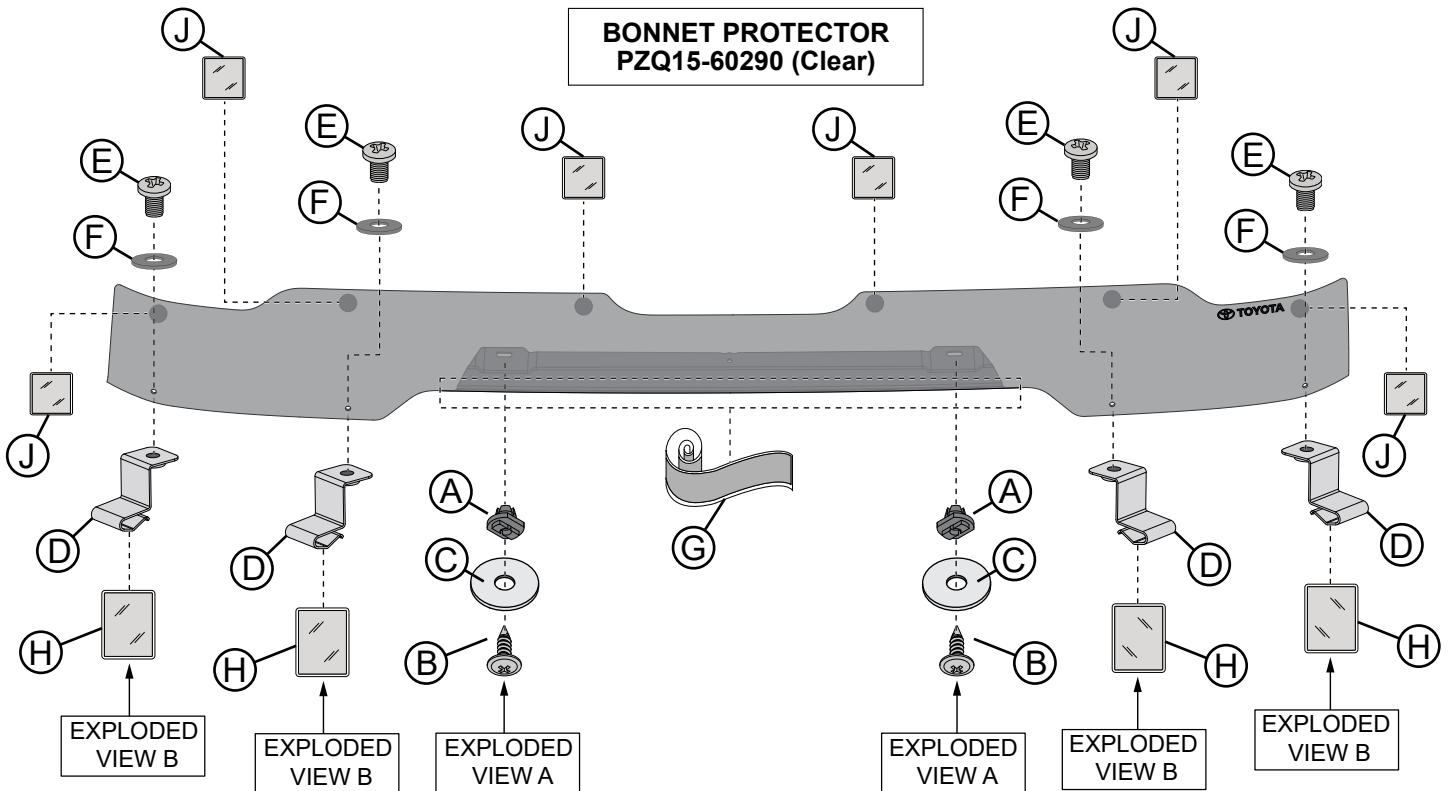
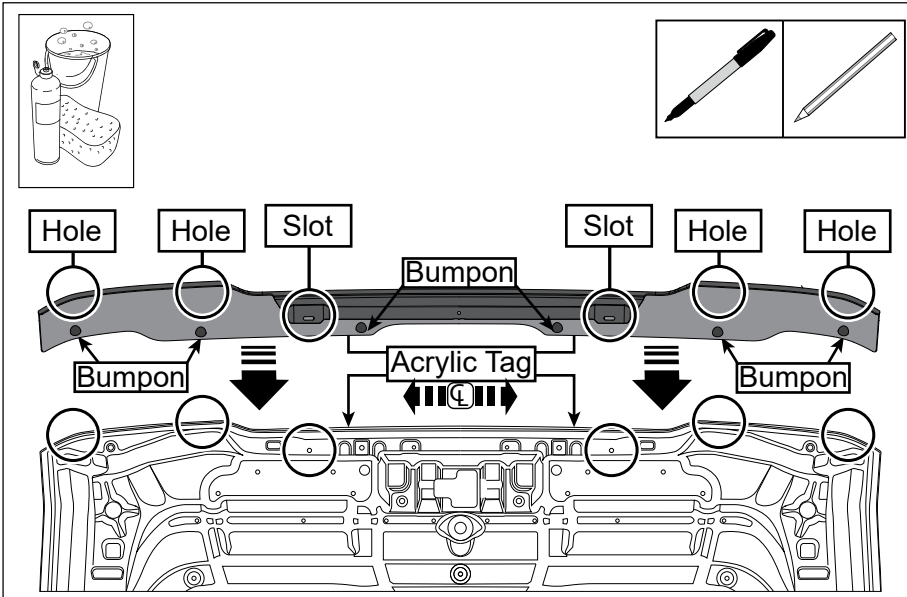


IMAGE IS FOR REFERENCE ONLY



1. Read installation instructions thoroughly before commencing installation.

Open and thoroughly clean and dry the bonnet.

Trial fit the Bonnet Protector centrally onto the bonnet.

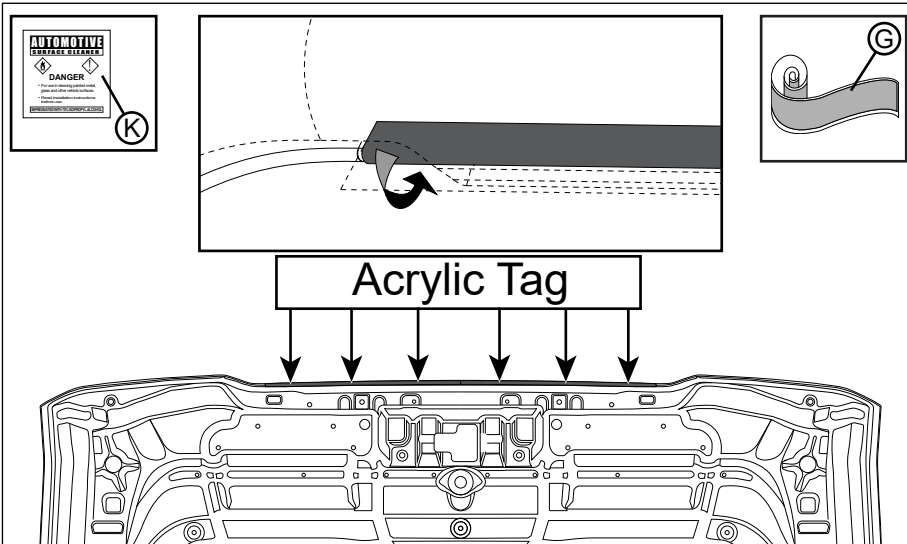
Note and mark where the two middle slots and four outer holes correspond to the bonnet.

Note and mark where the long acrylic tag correspond to the bonnet.

Note and mark where the six bumpons correspond to the top of the bonnet.

Remove the Bonnet Protector.  
**See Dia #1.**

**Diagram #: 1**



2. Sit the Bonnet Protector back from the front lip of the bonnet.

Clean the area of the bonnet that corresponds to the acrylic tag with the alcohol wipe provided.

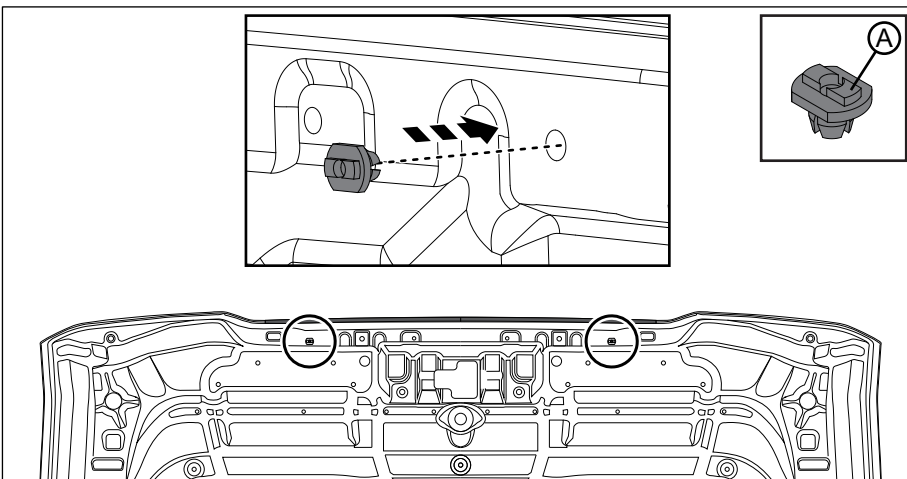
Wipe off any residue with a clean, dry cloth.

Adhere the Large Anti-Abrasive Tape over the bonnet lip at the acrylic tag position.

Apply tape so approximately half of the tape is on the topside and half is on the underside of the bonnet.

**See Dia #2.**

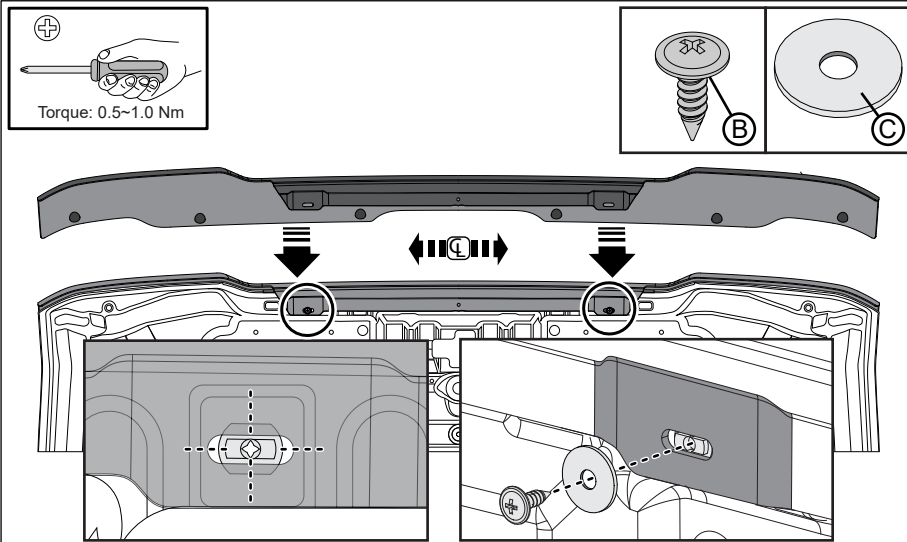
**Diagram #: 2**



3. Insert the Screw Plugs into the vacant holes which corresponds to the middle slots of the Bonnet Protector.

**See Dia #3.**

**Diagram #: 3**



**Diagram #: 4**

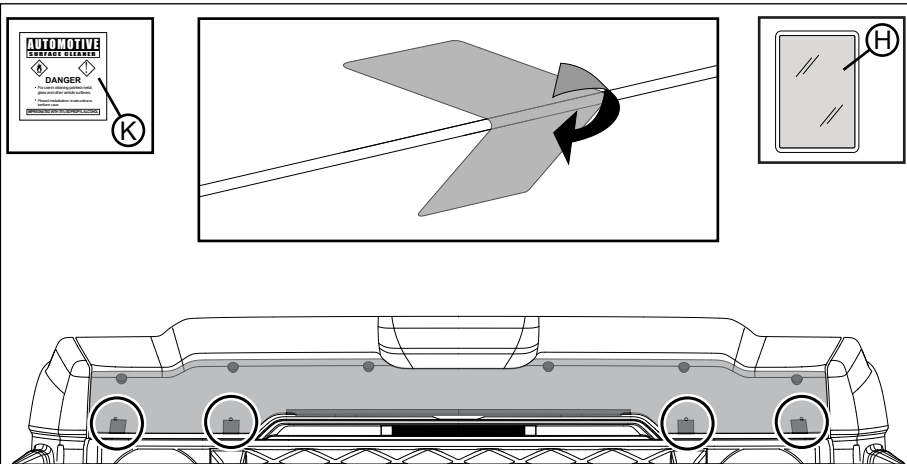
**4.** Install the Bonnet Protector centrally on the bonnet.

Ensure that the rectangular Screw Plug recessed into the slot in the acrylic tag.

Secure the Bonnet Protector using Self-Tapping Screws and Large Washers provided.

**See Dia #4.**

**Note:** Ensure torque setting 0.5~1.0Nm is used.



**Diagram #: 5**

**5.** Sit the Bonnet Protector back from the front lip of the bonnet.

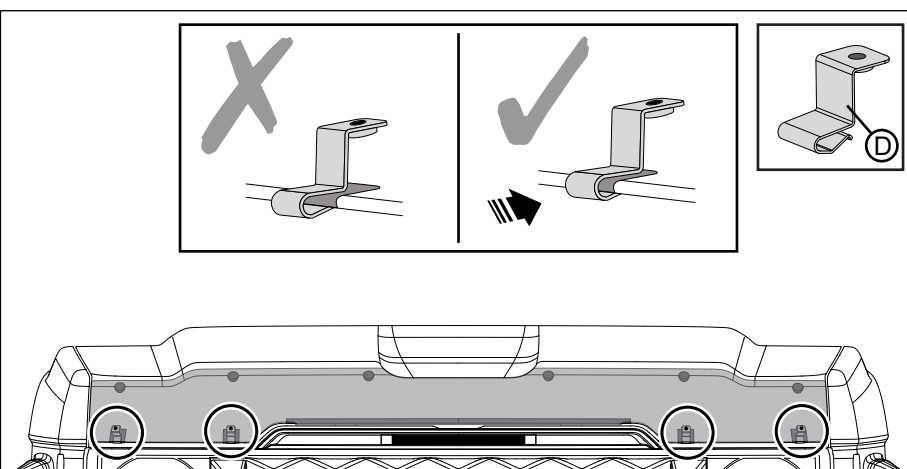
Clean the area of the bonnet that corresponds to the four outer holes with the alcohol wipe provided.

Wipe off any residue with a clean, dry cloth.

Adhere the Medium Anti-Abrasive Tapes over the bonnet lip at the clip positions.

Apply tape so approximately half of the tape is on the topside and half is on the underside of the bonnet.

**See Dia #5.**

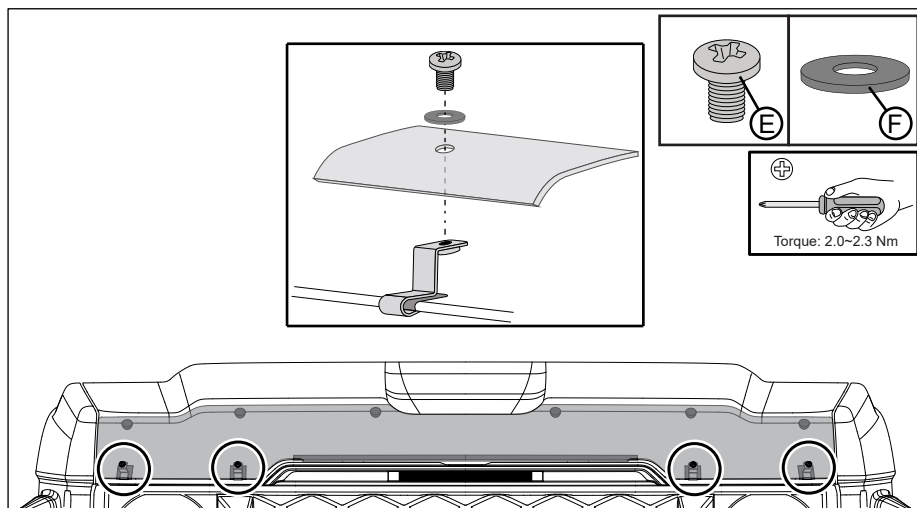


**Diagram #: 6**

**6.** Slide the four Push-On Clips onto the bonnet lip over the previously adhered Medium Anti-Abrasive Tape.

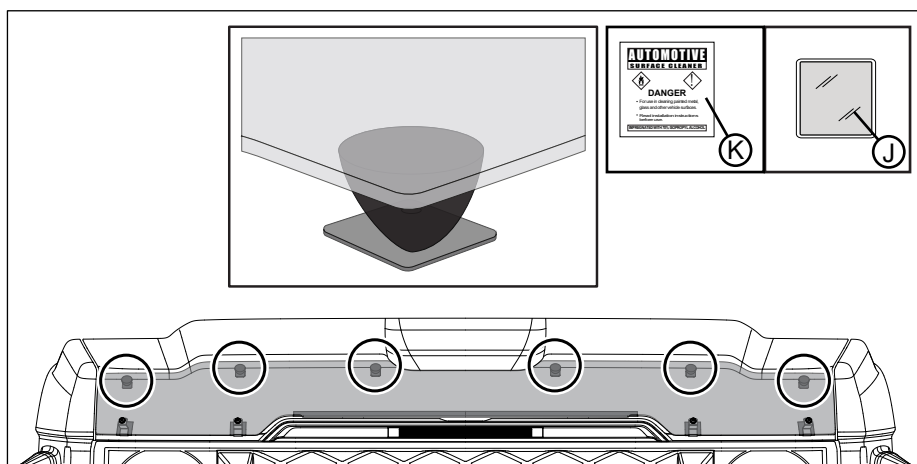
**See Dia #6.**

**IMPORTANT:** Ensure that the clips are positioned over anti-abrasive tape and do not come into contact with any of the bonnet's paint work. Failure to do so may result in permanent paint damage.



7. Secure the Bonnet Protector to the Push-On Clips using the Small Screws and Small Washers provided.  
**See Dia #7.**

**Note: Ensure torque setting 2.0~2.3Nm is used.**

**Diagram #: 7**


8. Clean the area of the bonnet that corresponds to the six Bumpers with the alcohol wipe provided.

Wipe off any residue with a clean, dry cloth.

Lift the Bonnet Protector and adhere the Small Anti-Abrasive Tapes over the bonnet exactly beneath the Bumpers.

**See Dia #8.**

**Diagram #: 8**