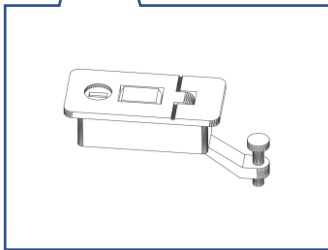
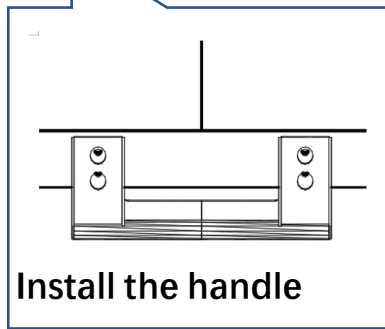


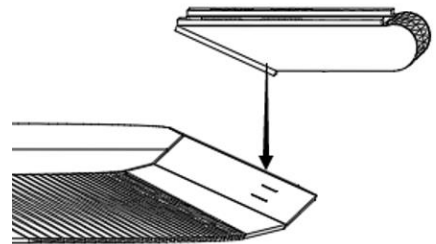
Use side rubbers to wrap the edges of the lid **M10x30**



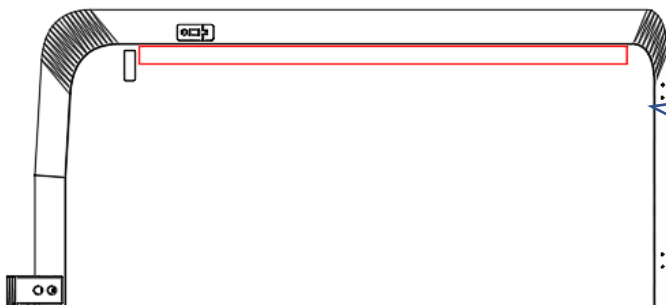
Install
lock



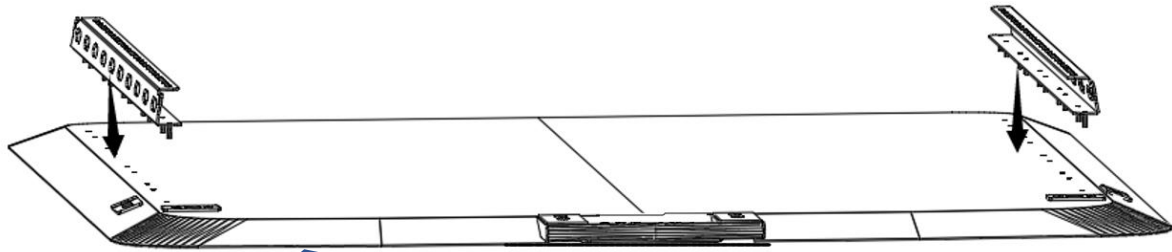
Install the handle



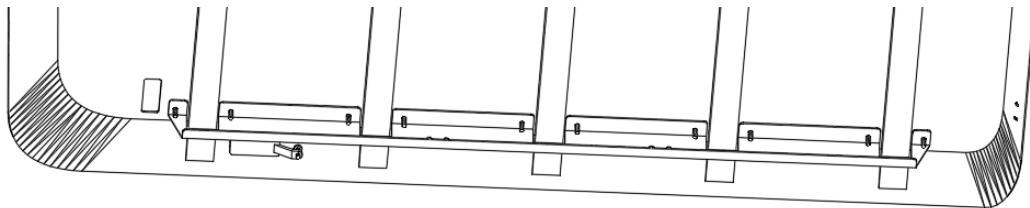
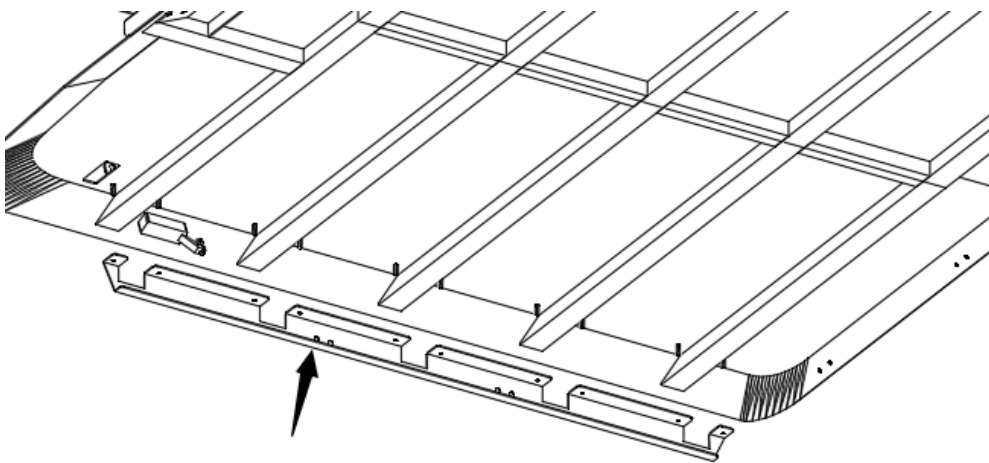
Use **M8x20** screws to connect



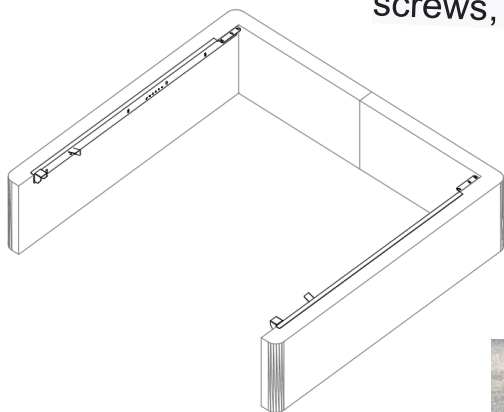
Attach waterproof strips to the holes in the upper cover



Insert the screws under the upper vertical rod into the holes in the upper cover

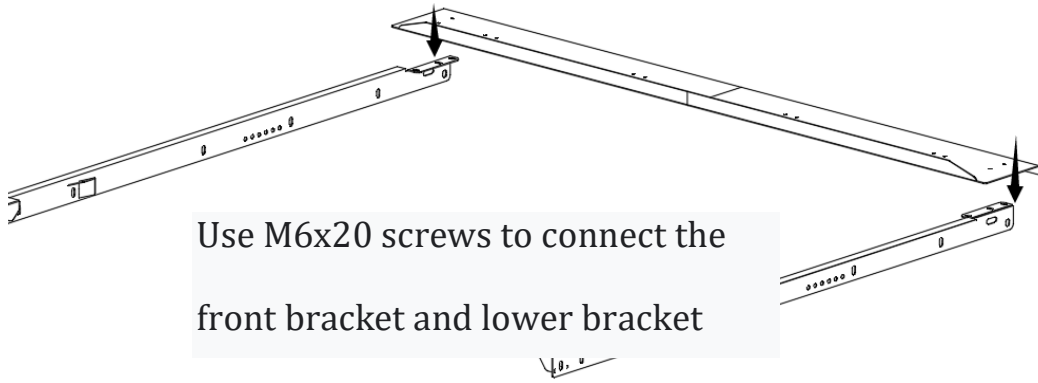


Align the holes of the longitudinal braces with the longitudinal rod screws, and then install the M6 lock nuts.

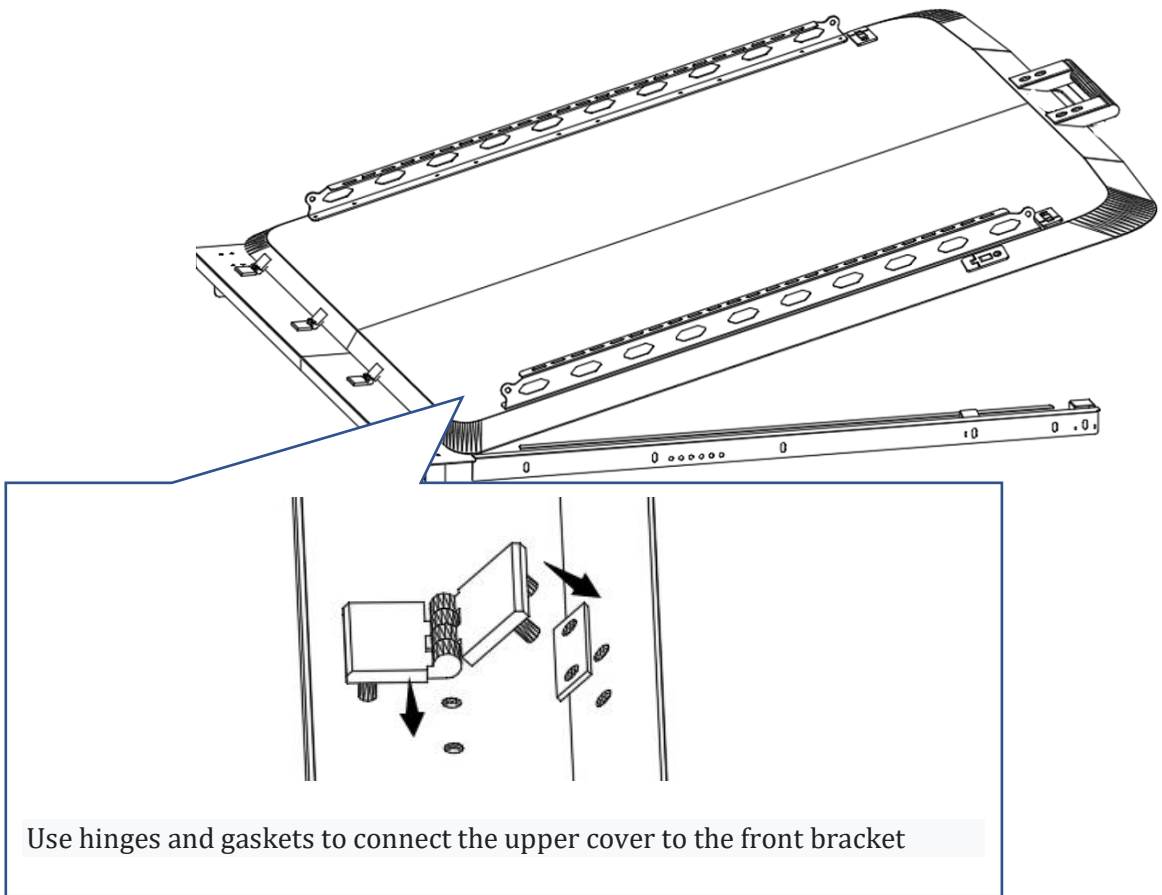


Install the lower bracket. If there are no suitable holes, you need to drill holes. Use cylindrical head M8x30

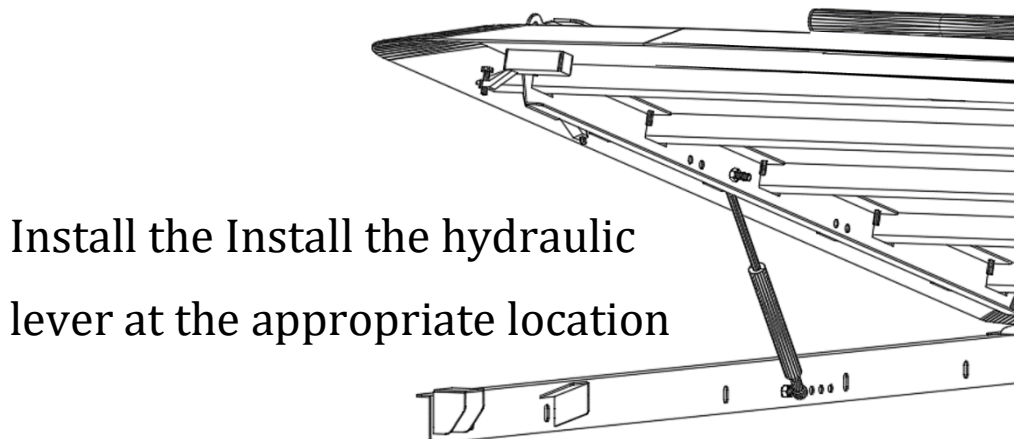




Use M6x20 screws to connect the front bracket and lower bracket



Use hinges and gaskets to connect the upper cover to the front bracket



Install the hydraulic lever at the appropriate location