

INSTALLATION INSTRUCTION

ITEM NO.: RVO151841A

DESCRIPTION: 3" ROLL BAR WITH LUGGAGE BOX FOR 15REVO/09-14VIGO/12-15RANGER

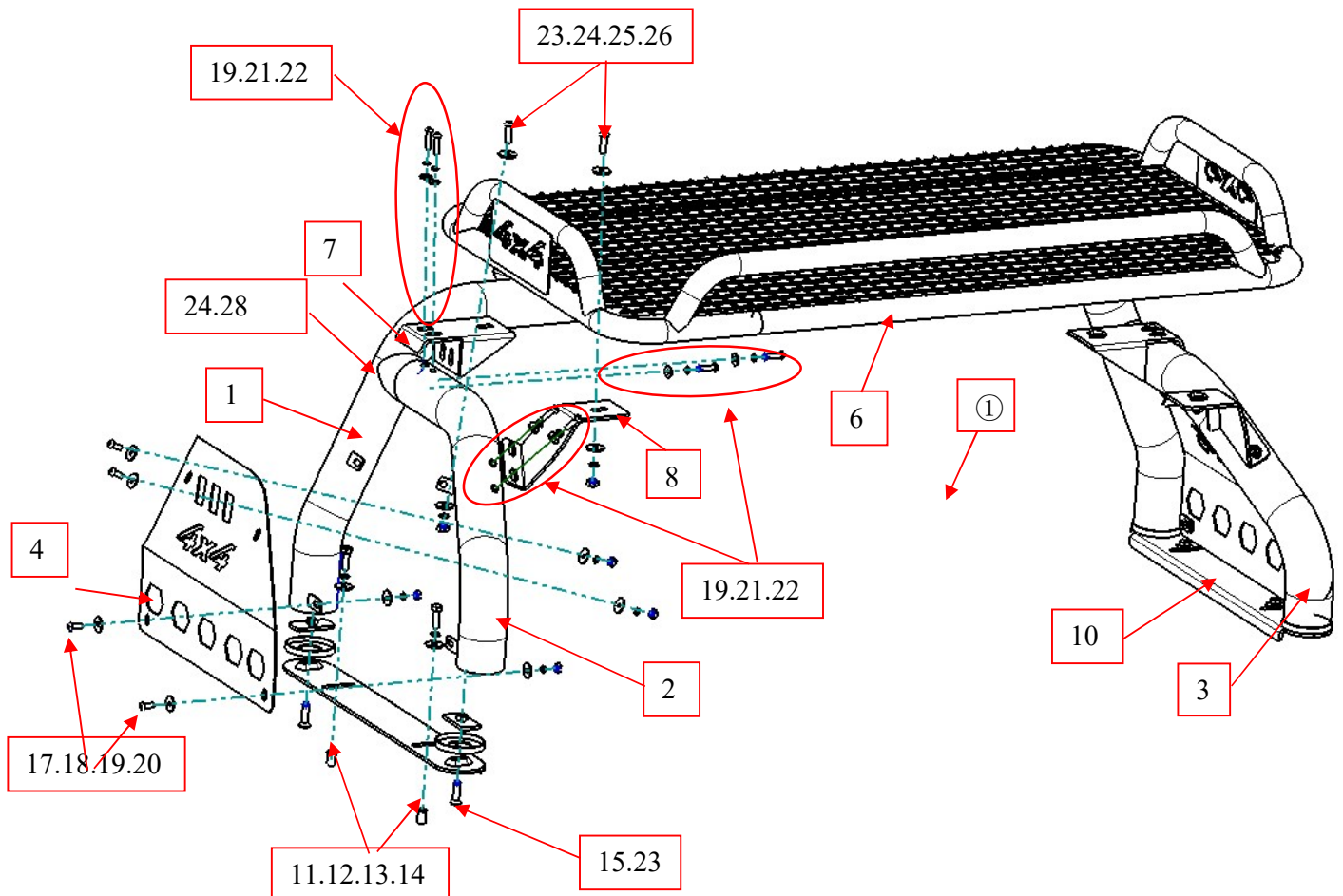
- Please read this installation menu before installing this part. Protect your car properly in case there is any scratch might happen.
- You may need to periodically to re-tighten all hardware for safety use after installation.

Installation pictures are only for your reference, there might be some differences between pictures and real parts but no affection for your fitting.

PART LIST

NO.	NAME	QTY	REMARK	NO.	NAME	QTY	REMARK
1	Main pipe	1		15	Hex wrench	1	S=5
2	Side bend pipe (left)	1		16	Hex wrench	1	S=6
3	Side bend pipe (right)	1		17	Hex flat head bolt	8	M8x20
4	Side board (left)	1		18	Large washer	28	Φ8*25*2.0
5	Side board (right)	1		19	Spring washer	20	Φ8
6	Luggage box	1		20	Hex nut	8	M8
7	Connecting bracket1	2		21	Hex socket head screw	12	M8x30
8	Connecting bracket2 (left)	1		22	Hex socket head screw	4	M10x30
9	Connecting bracket2 (right)	1		23	large washer	12	Φ10*30*2.5
10	Support base	2		24	large washer	2	Φ10*20*2.5
11	Hex bolt	6	M10x30	25	Spring washer	10	Φ10
12	Large washer	6	φ10*30*2.5	26	Hex nut	4	M10
13	Spring washer	6	Φ10	27	Large washer	4	φ16*35*3.0
14	Flat head nut	6	M10	28	Hex socket head screw	2	M10x40
15	Hex bolt	4	M10x35				

INSTALLATION PICTURES



Step 1: Refer to the Part List to check if all hardware are included.

Step 2: As shown in the figure, according to the corresponding standard parts in different drawings, the side standard board and the front and rear mains are locked and installed. Then screw the bottom plate and the installed front and rear mains, and tighten them with the M8x20 hex flat head screws.

Step 3: first drill $\Phi 13.8$ hole, then put on M10 flat head rivet nut, use M10x35 hex head bolt to tighten bottom plate, and use M10x35 hex flat head screw to tighten the side handle.

Step 4: Check if all hard ware are included and then tighten up all to complete the installation.

Step5:The final installation effect as picture below:

Disclaimer: Caused due to improper installation initiates or some related problem and losses, are beyond our company's quality assurance.